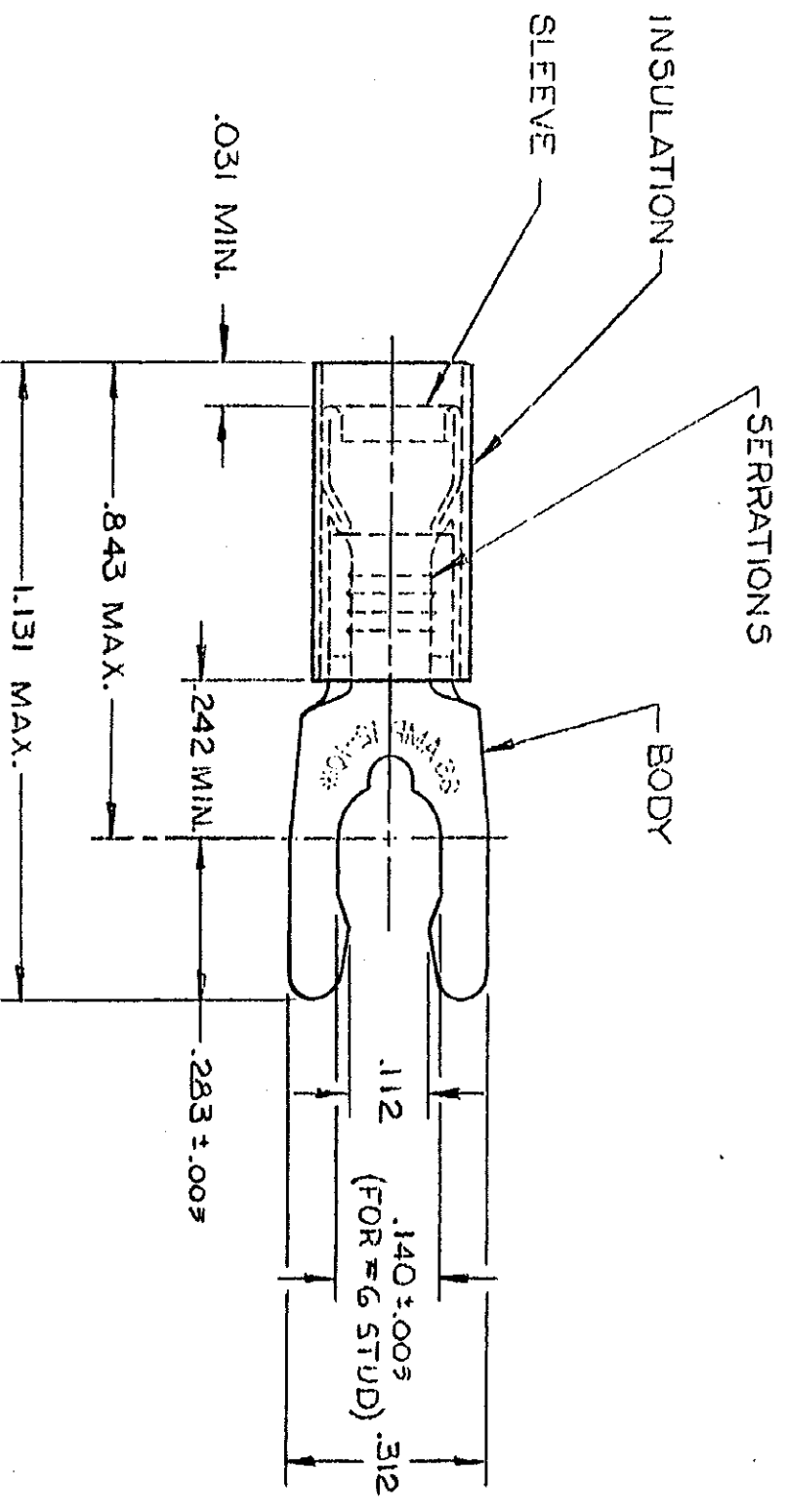


THIS DRAWING IS UNPUBLISHED. RELEASED FOR PUBLICATION 19
 © COPYRIGHT 19 BY AMP INCORPORATED, HARRISBURG, PA. ALL INTERNATIONAL RIGHTS RESERVED. AMP PRODUCTS MAY BE COVERED BY U.S. AND FOREIGN PATENTS AND/OR PATENTS PENDING.



- 1 WIRE INSULATION DIA. = SEE TABLE, DIM. "A"
- 2 TONGUE MATERIAL THK. = .040 ± .002
- 3 BODY FINISH: TIN PLATE (MIL-T-10727) .000100 MIN THK

REVISIONS		DATE	APPROVED
✓	D	3/14/82	Pjm
✓	E	3/24/87	GS
✓	F	4-12-88	MG/44
✓	G	5/6/88	44
✓	H	1/3/91	DMS/712

CONTRACT NO	QUANTITY	DESCRIPTION	PART NO
DR UTA / RFB 9-26-85	500	ON TAPE, 16 BOX	52430-2
CHK <i>Handwritten signature</i> 12-19-86	500	ON TAPE, 250X	52430-4
APPD. <i>Handwritten signature</i> 2-19-86	2500	ON TAPE, REEL	52430-3
APPD	2500	ON TAPE, REEL	52430-2
DSGN APPD	---	LOOSE PIECE	52430-1
OTHER APPD	---	LOOSE PIECE	52430

UNLESS OTHERWISE SPECIFIED DIMENSIONS ARE IN INCHES TOLERANCES ON: DECIMALS ± .005 ANGLES ±

MATERIAL INSULATION: NYLON - YELLOW
 SLEEVE: COPPER (QQ-C-576)
 BODY: PHOSPHOR BRONZE (QQ-B-750)

NAME: **AMP** | AMP INCORPORATED | Harrisburg, Pa.

TERMINAL SPADE
 P.I.D.G., SPRING
 WIRE SIZE: 12-10

SIZE: **B** | FSCM NO: **00779** | DRAWING NO: **52430**

SCALE: NTS | SHEET 1 OF 1

OBsolete

CUSTOMER DRAWING

单击下面可查看定价，库存，交付和生命周期等信息

[>>TE Connectivity\(泰科\)](#)