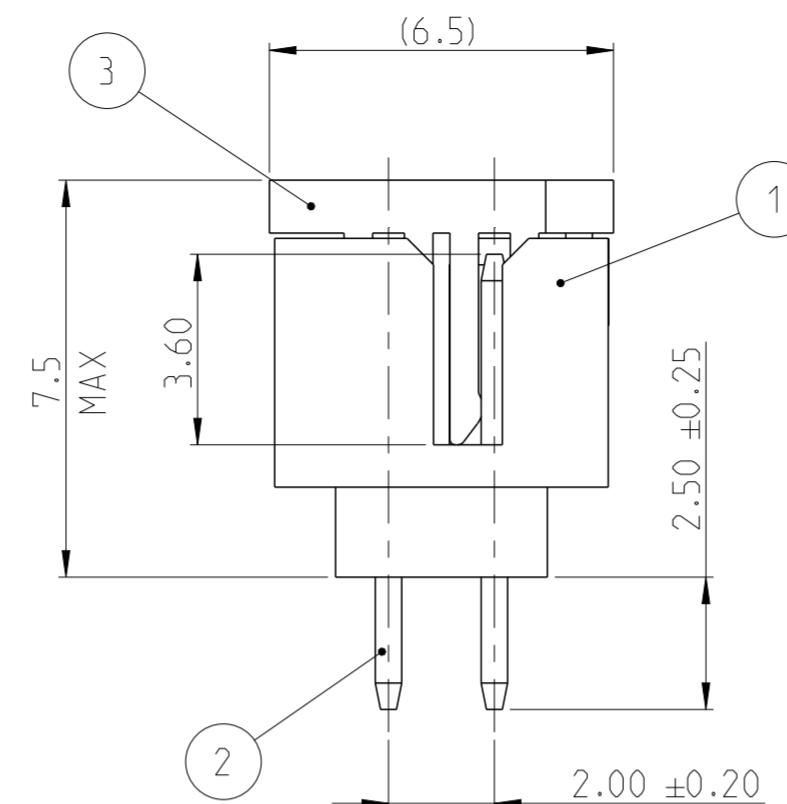
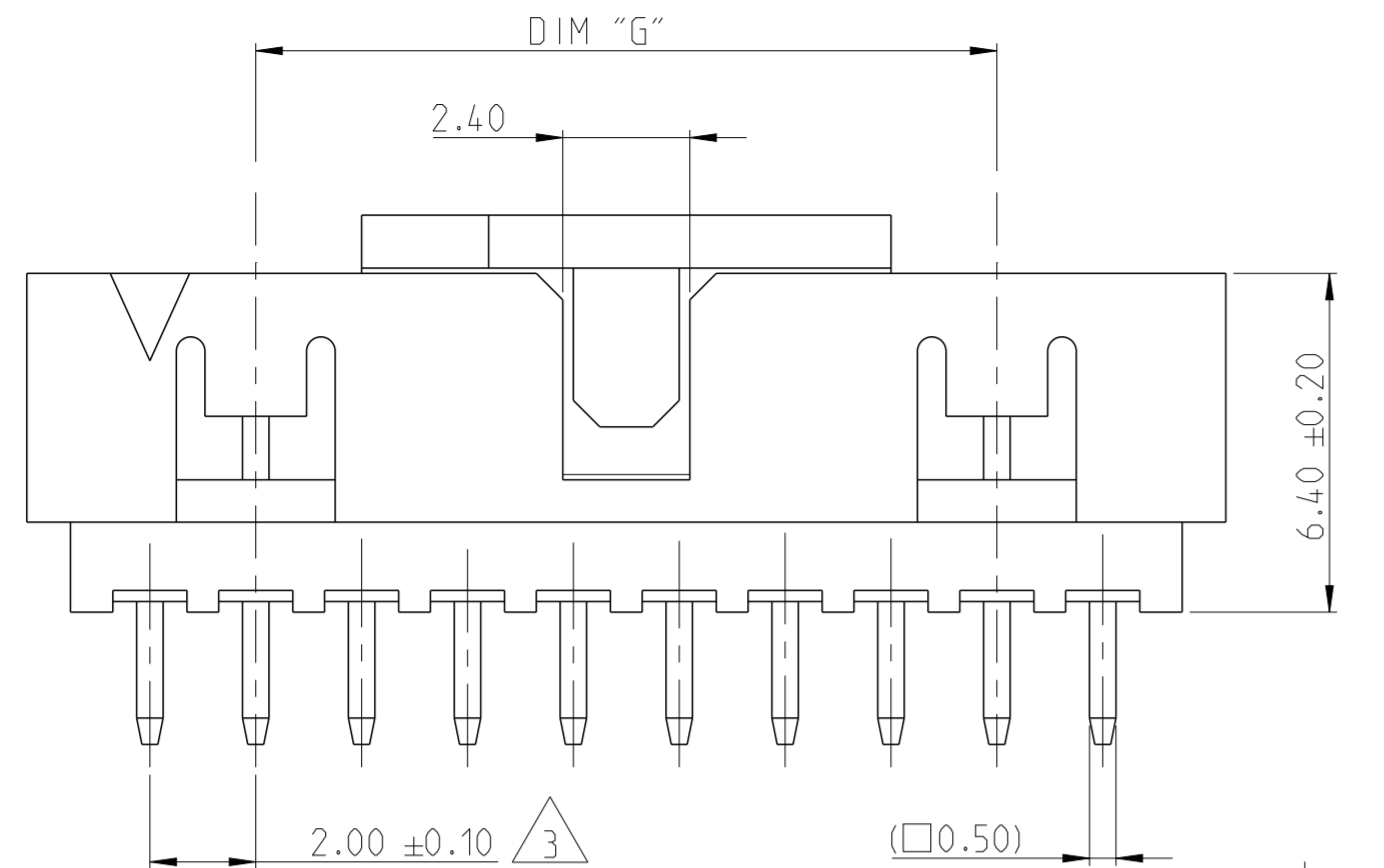
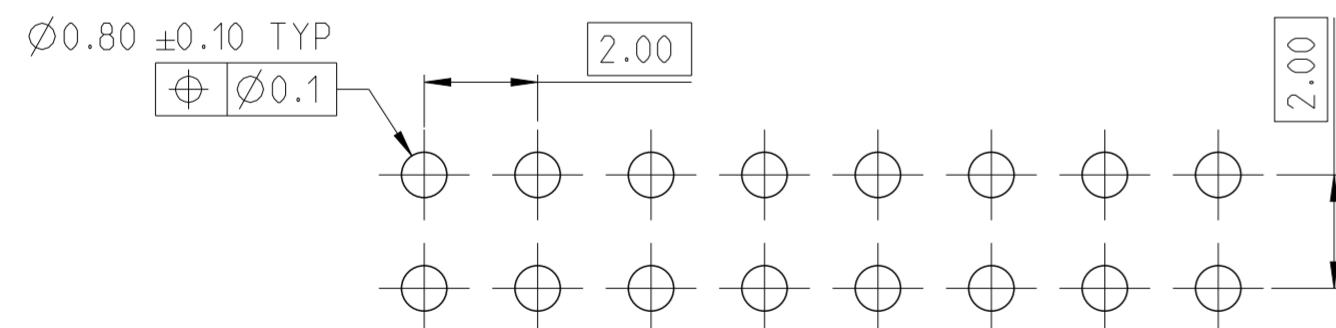
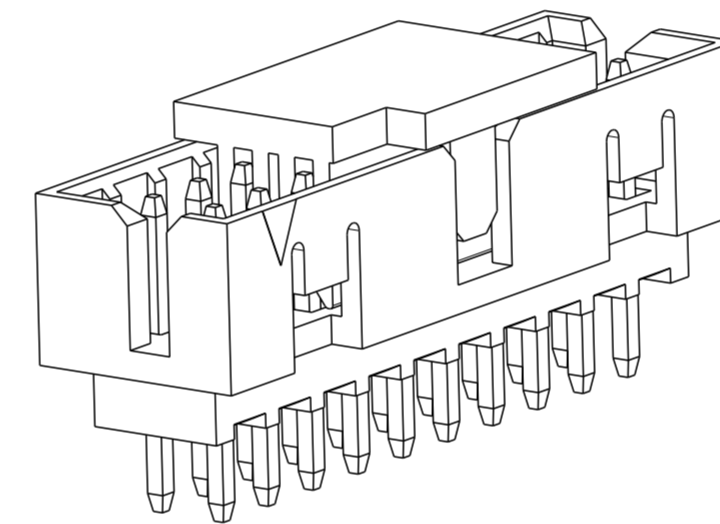
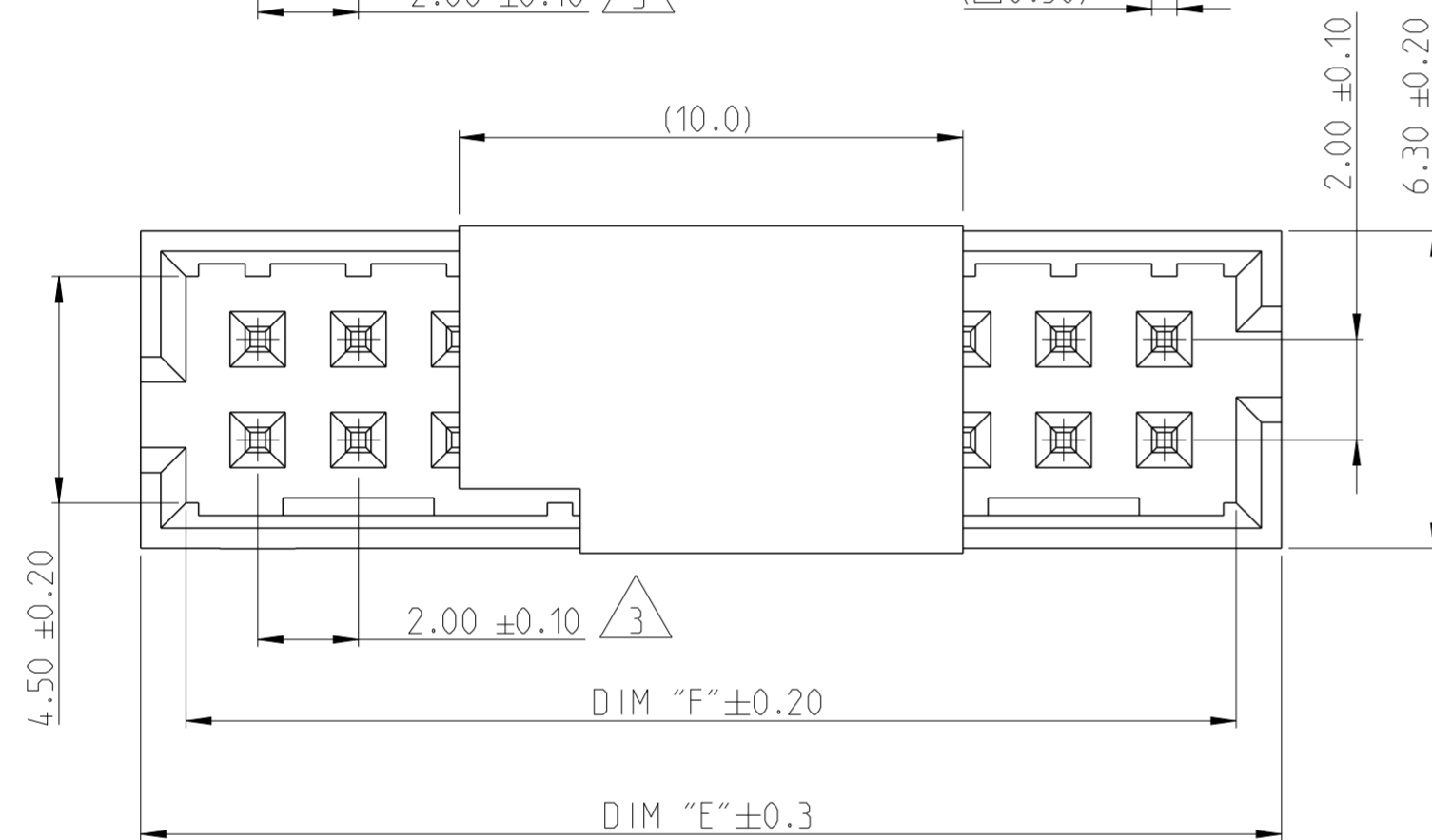


REVISIONS					
P	LTR	DESCRIPTION	DATE	DWN	APVD
	A	RELEASE TO PRODUCTION	09DEC2019	AY	PS

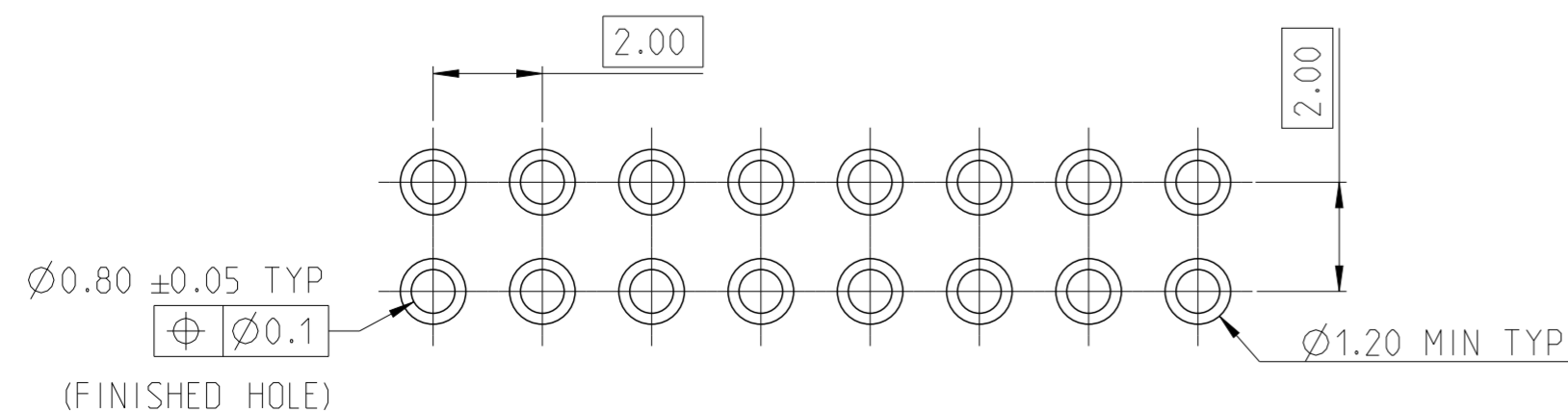


NOTES:

- MATERIAL
HOUSING & P&P CAP : HIGH TEMPERATURE THERMOPLASTIC, UL94-V0; COLOR- BLACK
POST : COPPER ALLOY
FINISH :
MATING SIDE: MIN. 0.76 µm GOLD OVER NICKEL UNDER PLATING.
SOLDER SIDE: MIN. 2.0 µm TIN OVER NICKEL UNDER PLATING.
 - PACKAGING: TUBE (WITH PICK AND PLACE CAP)
- △ TOLERANCE NOT CUMULATIVE.



RECOMMENDED PCB HOLE PATTERN FOR THROUGH HOLE WAVE



RECOMMENDED PCB HOLE PATTERN FOR THROUGH HOLE REFLOW /PIN-IN-PASTE

2-2842304-0 AS SHOWN

44	50.85	52.65	50	5-2842304-0
38	44.85	46.65	44	4-2842304-4
34	40.85	42.65	40	4-2842304-0
28	34.85	36.65	34	3-2842304-4
24	30.85	32.65	30	3-2842304-0
20	26.85	28.65	26	2-2842304-6
18	24.85	26.65	24	2-2842304-4
14	20.85	22.65	20	2-2842304-0
10	16.85	18.65	16	1-2842304-6
8	14.85	16.65	14	1-2842304-4
DIM "G"	DIM "F"	DIM "E"	POS.	TE PN.

PICK AND PLACE CAP		CONTACT PIN		HOUSING		DESCRIPTION		ITEM NO.	
	3		2		1				

THIS DRAWING IS A CONTROLLED DOCUMENT.		DWN	12NOV2019	ANKIT YADAV	
DIMENSIONS: mm		CHK	25NOV2019	KARTHIK JK	
TOLERANCES UNLESS OTHERWISE SPECIFIED:		APVD	27NOV2019	PRASHANTH S.	
0 PLC	±	PRODUCT SPEC			
1 PLC	±	108-64040			
2 PLC	±0.25	APPLICATION SPEC			
3 PLC	±	114-32259			
4 PLC	±	WEIGHT			
ANGLES	±2°	CUSTOMER DRAWING			
FINISH	-	SCALE 5:1 SHEET 1 OF 1 REV A			

TE Connectivity		NAME AMPMODU 2mm SHROUDED HEADER, DUAL ROW, VERTICAL TH. 0.76 Au, TUBE, WITH PICK AND PLACE CAP	
SIZE	A2	CAGE CODE	00779
DRAWING NO	C-2842304		
RESTRICTED TO	-		

单击下面可查看定价，库存，交付和生命周期等信息

[>>TE Connectivity\(泰科\)](#)