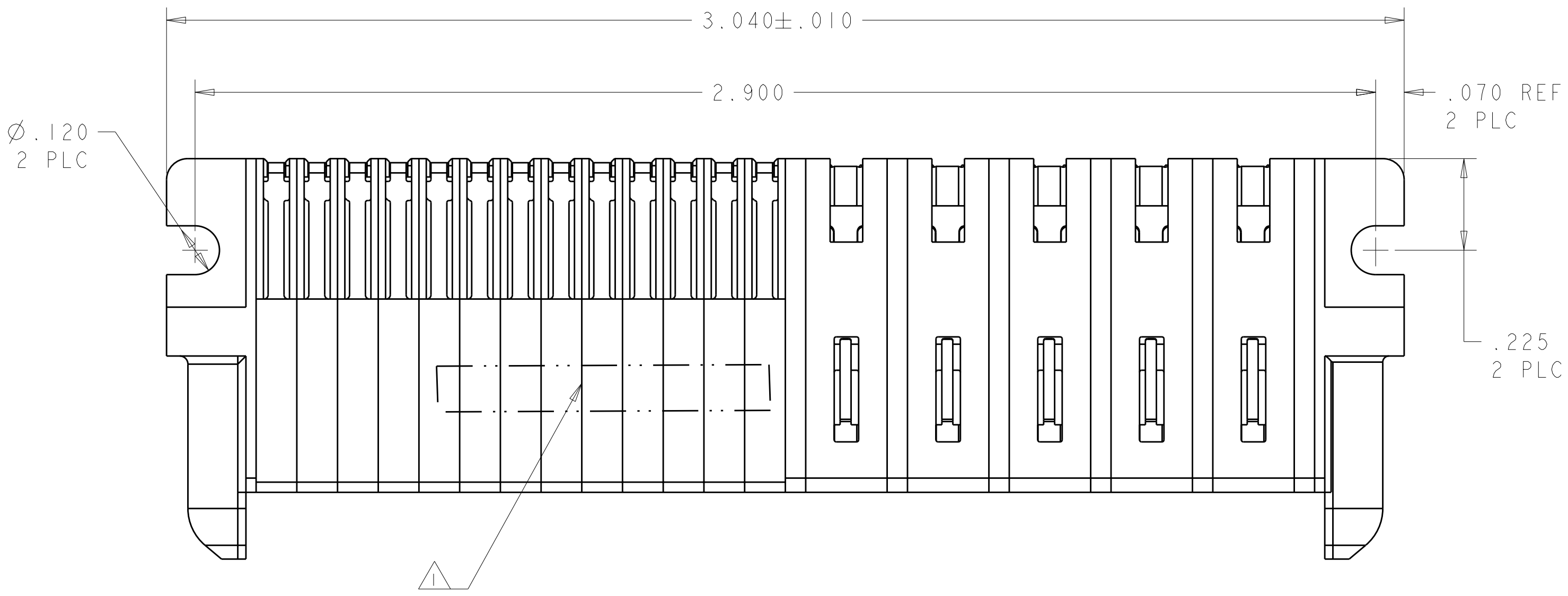
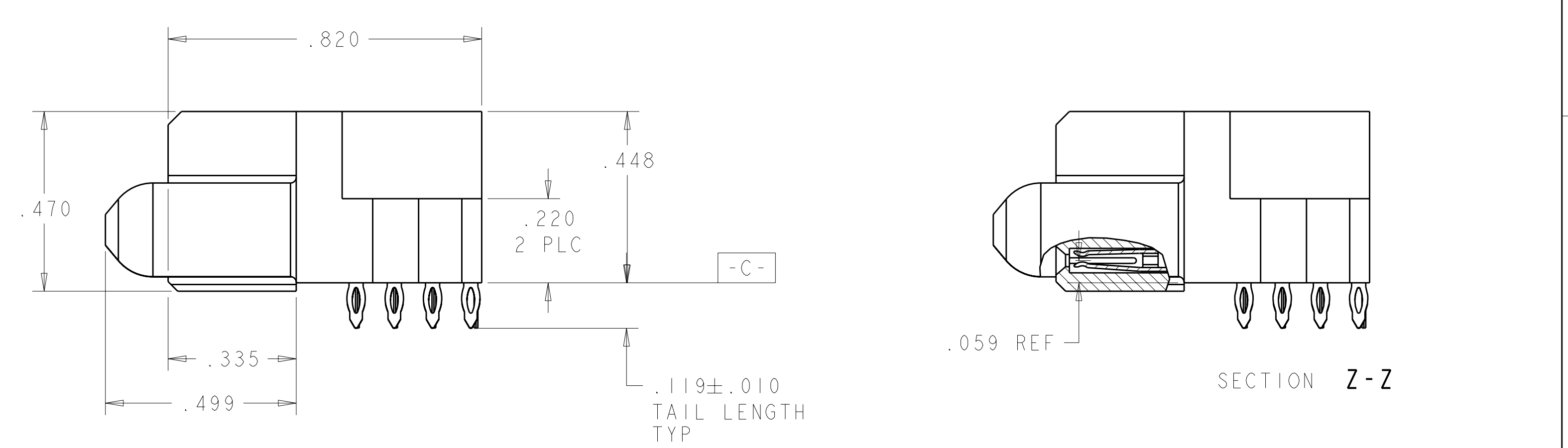
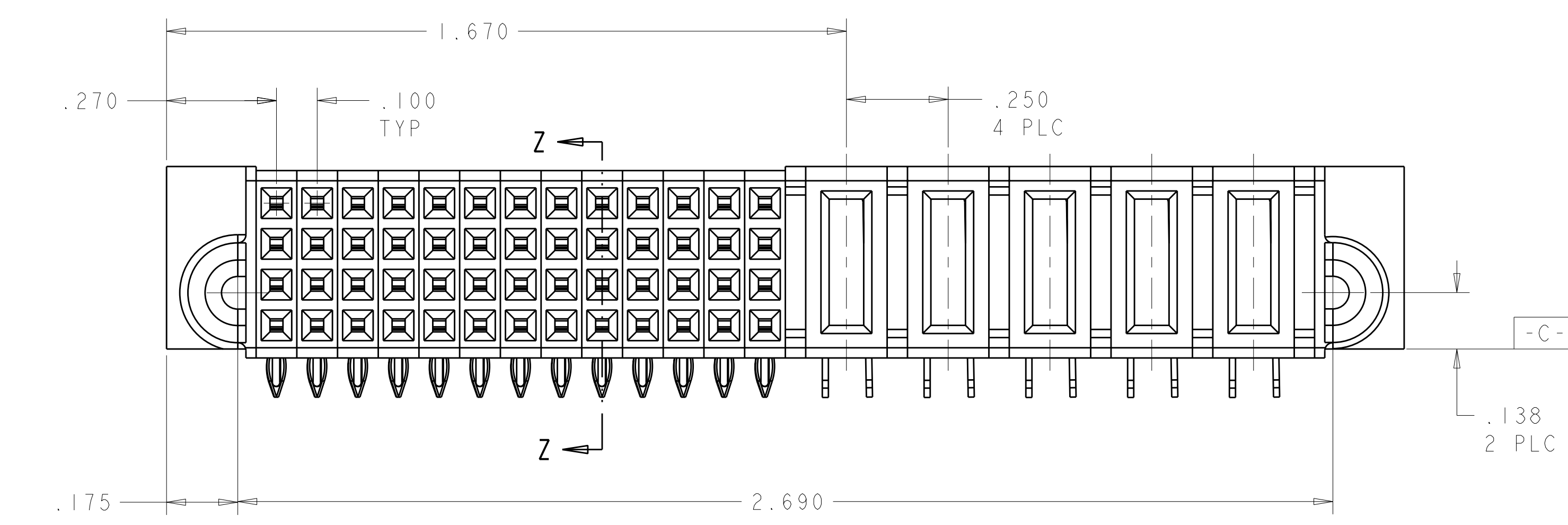


LOC	DIST	REVISIONS					
ES	00	P	LT#	DESCRIPTION	DATE	DWN	APVD
		A1		REV PER ECR-09-010583	11MAY2009	CZ	SY
		A2		REV PER ECR-09-013640	16JUN2009	CZ	SY
		A3		REV PER ECR-09-015550	10JUL2009	CZ	SY
		A5		REV PER ECR-11-008404	07DEC2009	CZ	SY



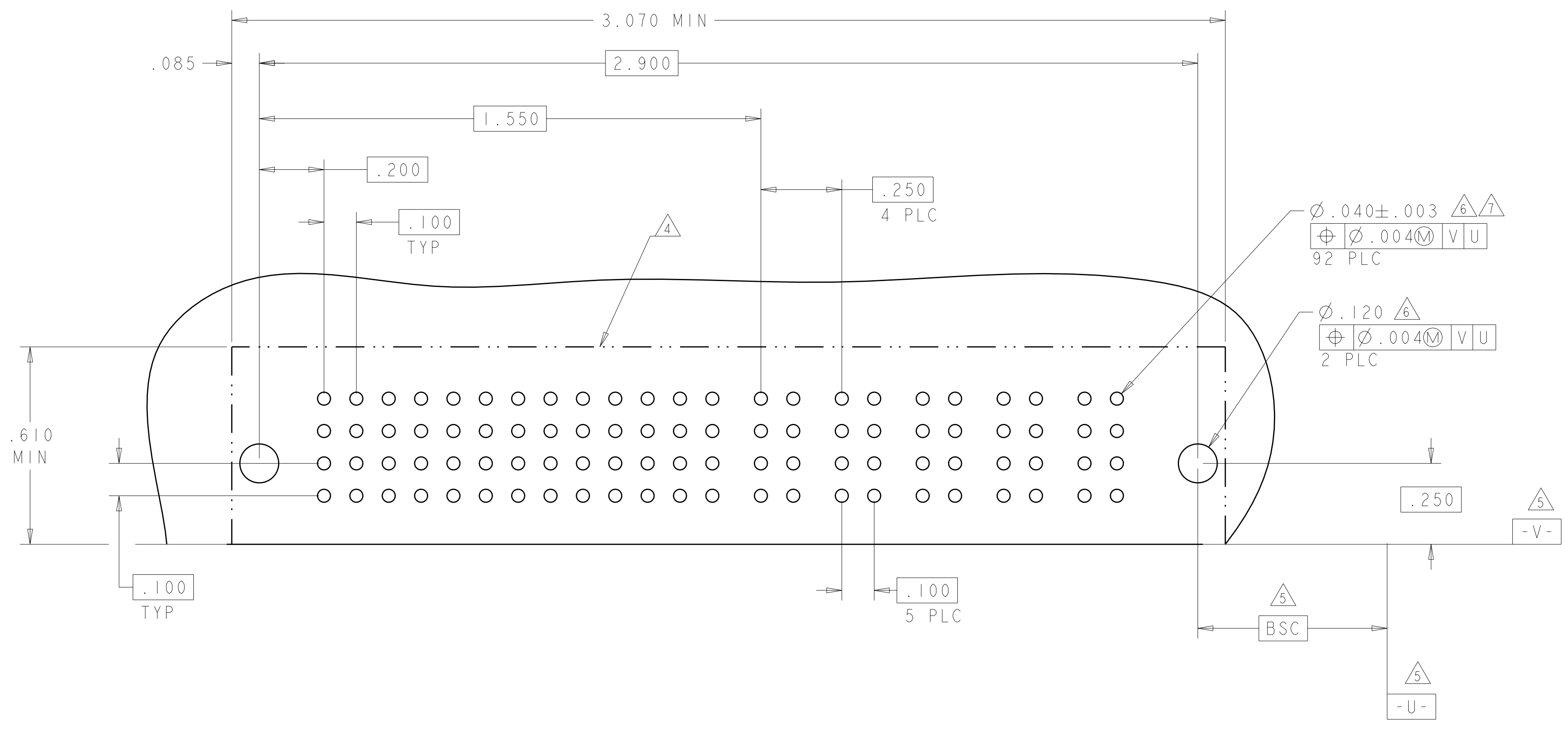
- 1 "AMP", PART NUMBER, AND DATECODE TO BE MARKED IN AREA SHOWN. PARTS UNDER 2.00[50.8] LONG MAY BE MARKED ON BOTH SIDES.
- 2 MATERIAL: HOUSING - GLASS FILLED HIGH TEMP THERMO PLASTIC, BLACK, UL94 V-0
 SIGNAL CONTACT - COPPER ALLOY
 POWER CONTACT - HIGH CONDUCTIVITY COPPER ALLOY
- 3 CONTACT PLATING: SIGNAL CONTACTS - .000050 MIN Ni UNDER ALL.
 .000030 MIN. Au ON CONTACT AREA.
 .000100 MIN Sn AT PCB INTERFACE.
 POWER CONTACTS - .000050 MIN Ni UNDER ALL.
 .000030 MIN Au AT CONTACT AREA.
 .000100 MIN Sn AT PCB INTERFACE.
- 4 MECHANICAL CONNECTOR KEEP OUT ZONE.
- 5 DATUM AND BASIC DIMENSIONS ESTABLISHED BY CUSTOMER.
- 6 PCB - HOLE DIAMETERS ARE FINISHED HOLE SIZE.
- 7 PCB - .0453 ± .0010 DRILLED HOLES PLATED WITH .0003 MIN Sn OVER .001 TO .003 Cu PLATING TO ACHIEVE A .040 DIA HOLE.



52S + 5P		6450882-5
DESCRIPTION		PART NUMBER
Tyco Electronics Corporation Shanghai, P.R.China, 200233		
DIMENSIONS: INCHES TOLERANCES UNLESS OTHERWISE SPECIFIED: 9 PLC ±.01 1 PLC ±.01 2 PLC ±.01 3 PLC ±.01 4 PLC ±.005 5 PLC ±.005 ANGLES ±.0020		DWN: C. ZHOU 31MAR2009 CHK: S. ZHAO 31MAR2009 APVD: S. YAO NAME: INVERTED RIGHT ANGLE RECEPTACLE AND SHORT END MODULAR MULTI-BEAM XLE SIZE: A100779 CAGE CODE: C=6450882-5 DRAWING NO: 114-13038 WEIGHT: - CUSTOMER DRAWING
MATERIAL: - FINISH: -		RESTRICTED TO: - SCALE: 4:1 SHEET: 1 OF 2 REV: A5

LOC		DIST		REVISIONS			
ES	00	REV	DATE	BY	CHK	APPD	
		-					SEE SHEET 1

PART NUMBER	ROWS	SIGNAL													POWER				
		1	2	3	4	5	6	7	8	9	10	11	12	13	P1	P2	P3	P4	P5
6450882-5	A	A	A	A	A	A	A	A	A	A	A	A	A	A	RS	RP	RS	RS	RP
	B	B	B	B	B	B	B	B	B	B	B	B	B	B					
	C	C	C	C	C	C	C	C	C	C	C	C	C	C					
	D	D	D	D	D	D	D	D	D	D	D	D	D	D					
52S + 5P																			



STD PRESS FIT SIGNAL CONTACT, .119 TAIL LENGTH, ROW D	D	
STD PRESS FIT SIGNAL CONTACT, .119 TAIL LENGTH, ROW C	C	
STD PRESS FIT SIGNAL CONTACT, .119 TAIL LENGTH, ROW B	B	
STD PRESS FIT SIGNAL CONTACT, .119 TAIL LENGTH, ROW A	A	
MFBL PRESS FIT POWER CONTACT, .119 TAIL LENGTH	RP	
STD PRESS FIT POWER CONTACT, .119 TAIL LENGTH	RS	
DESCRIPTION		IDENTIFIER

<small>THIS DRAWING IS UNPUBLISHED. RELEASED FOR PUBLICATION. THIS DRAWING IS UNPUBLISHED. RELEASED FOR PUBLICATION. THIS DRAWING IS UNPUBLISHED. RELEASED FOR PUBLICATION. THIS DRAWING IS UNPUBLISHED. RELEASED FOR PUBLICATION. THIS DRAWING IS UNPUBLISHED. RELEASED FOR PUBLICATION.</small>		DWN: C. ZHOU 31MAR2009 CHK: S. ZHAO 31MAR2009 APVD: S. YAO		Tyco Electronics Tyco Electronics Incorporation Shanghai, P.R.China, 200233	
DIMENSIONS: INCHES 		TOLERANCES UNLESS OTHERWISE SPECIFIED: 9 PLC ±.01 2 PLC ±.01 5 PLC ±.005 4 PLC ±.0020 ANGLES ±.0°		NAME: INVERTED RIGHT ANGLE RECEPTACLE AND SHORT END MODULAR MULTI-BEAM XLE PRODUCT SPEC: 108-2292 APPLICATION SPEC: 114-13038 WEIGHT: - FINISH: -	
MATERIAL: - FINISH: -		SCALE: 4:1 SHEET: 2 OF 2 REV: A5		CUSTOMER DRAWING	

单击下面可查看定价，库存，交付和生命周期等信息

[>>TE Connectivity\(泰科\)](#)