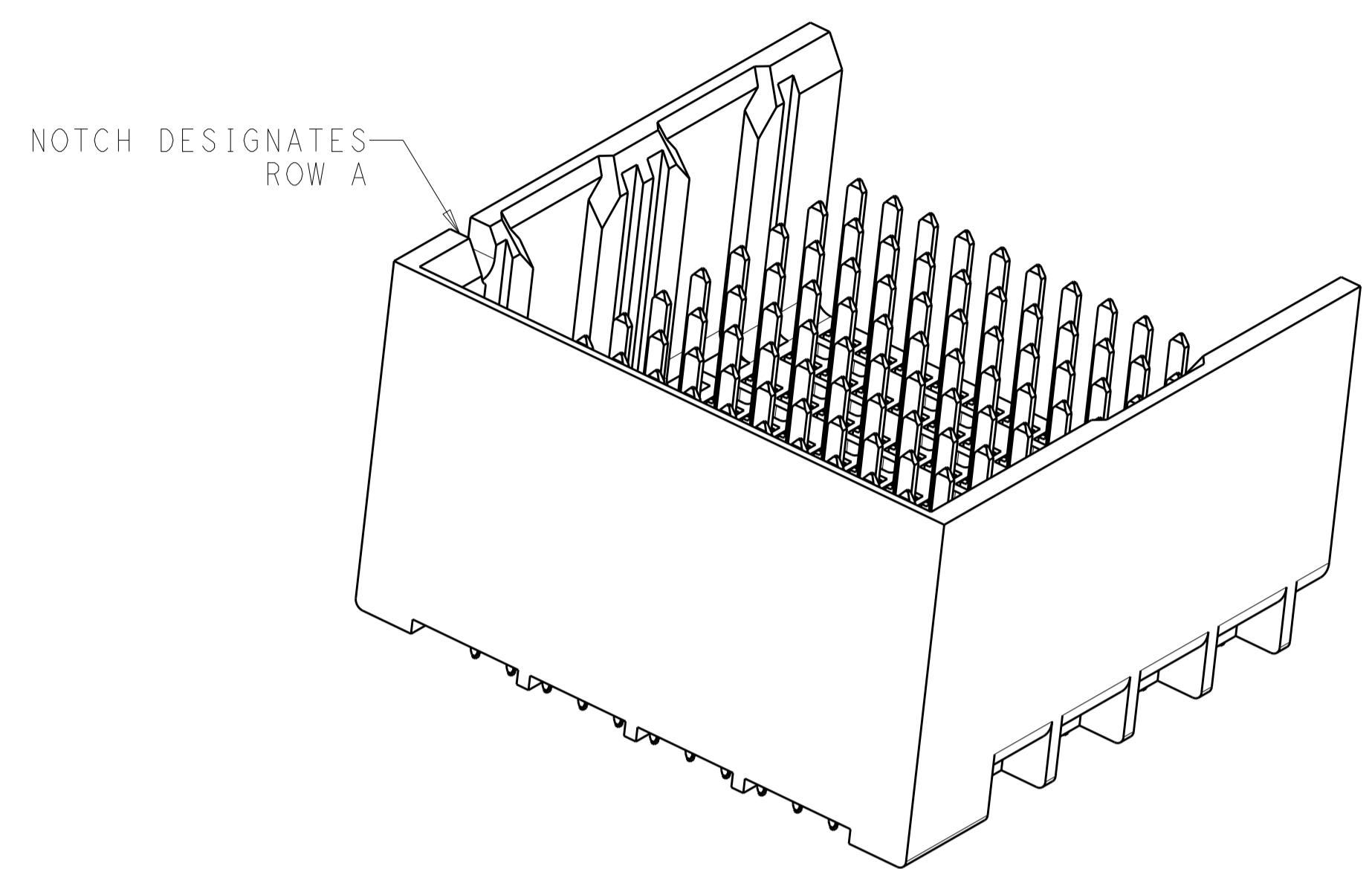
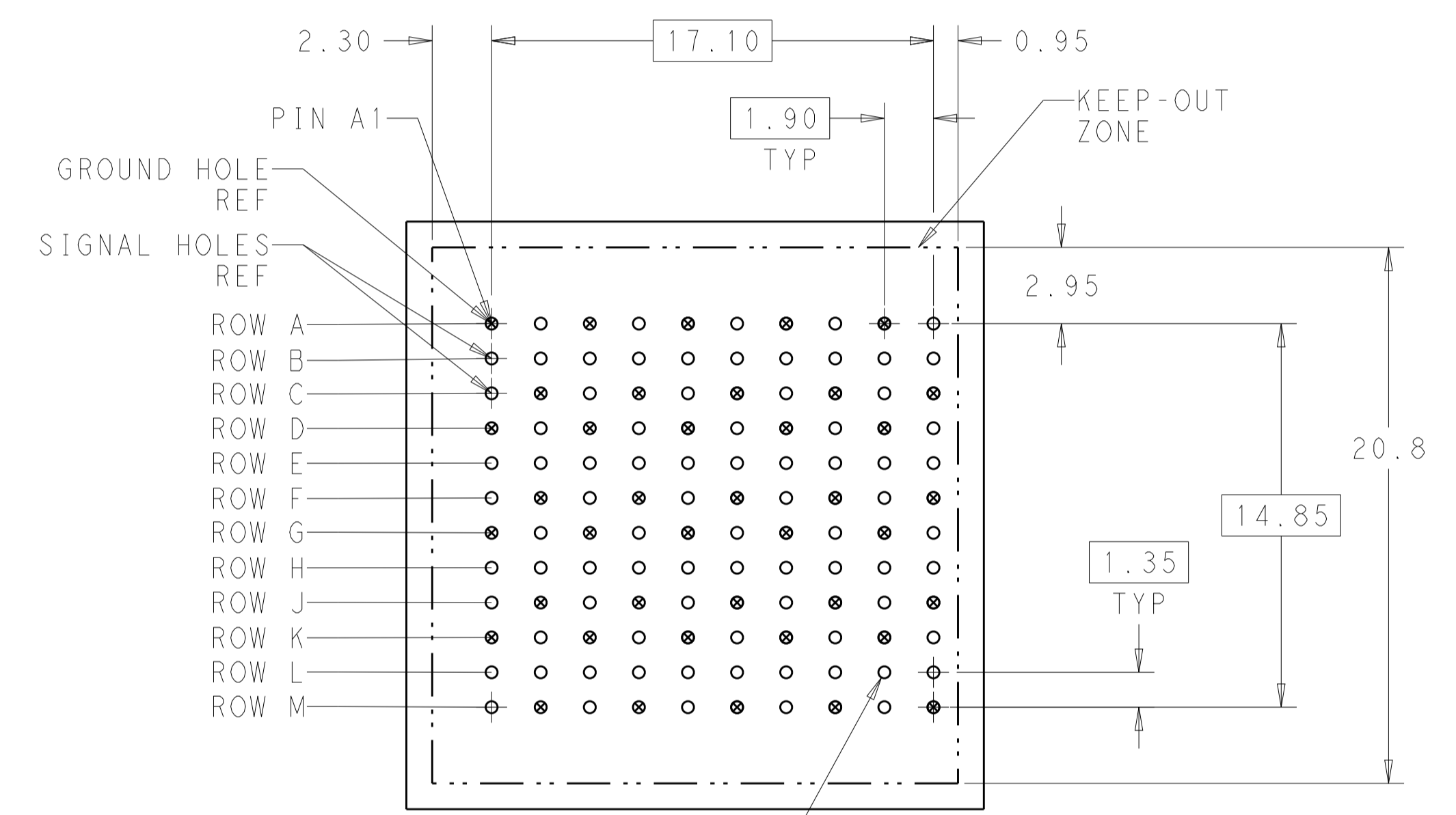
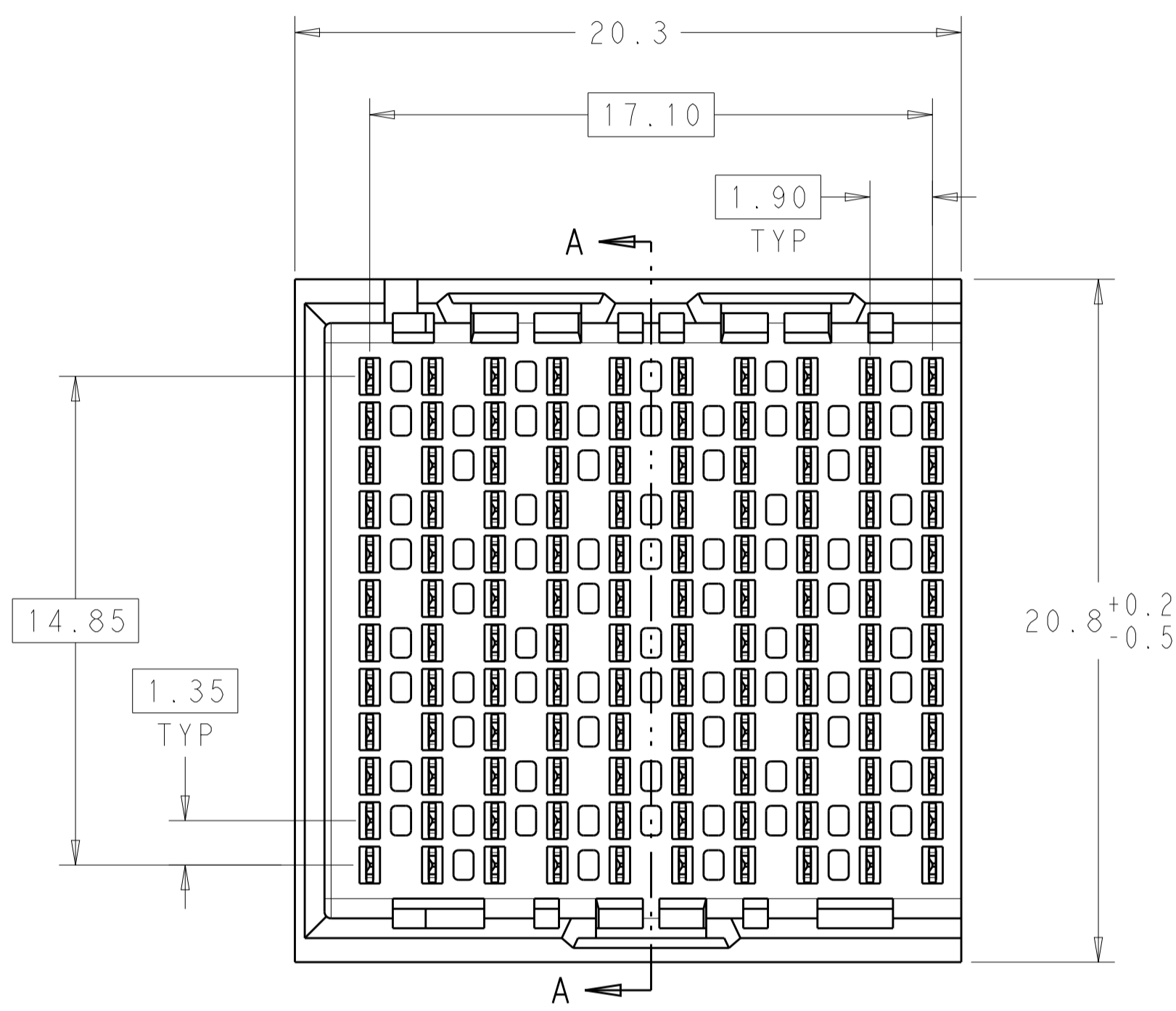


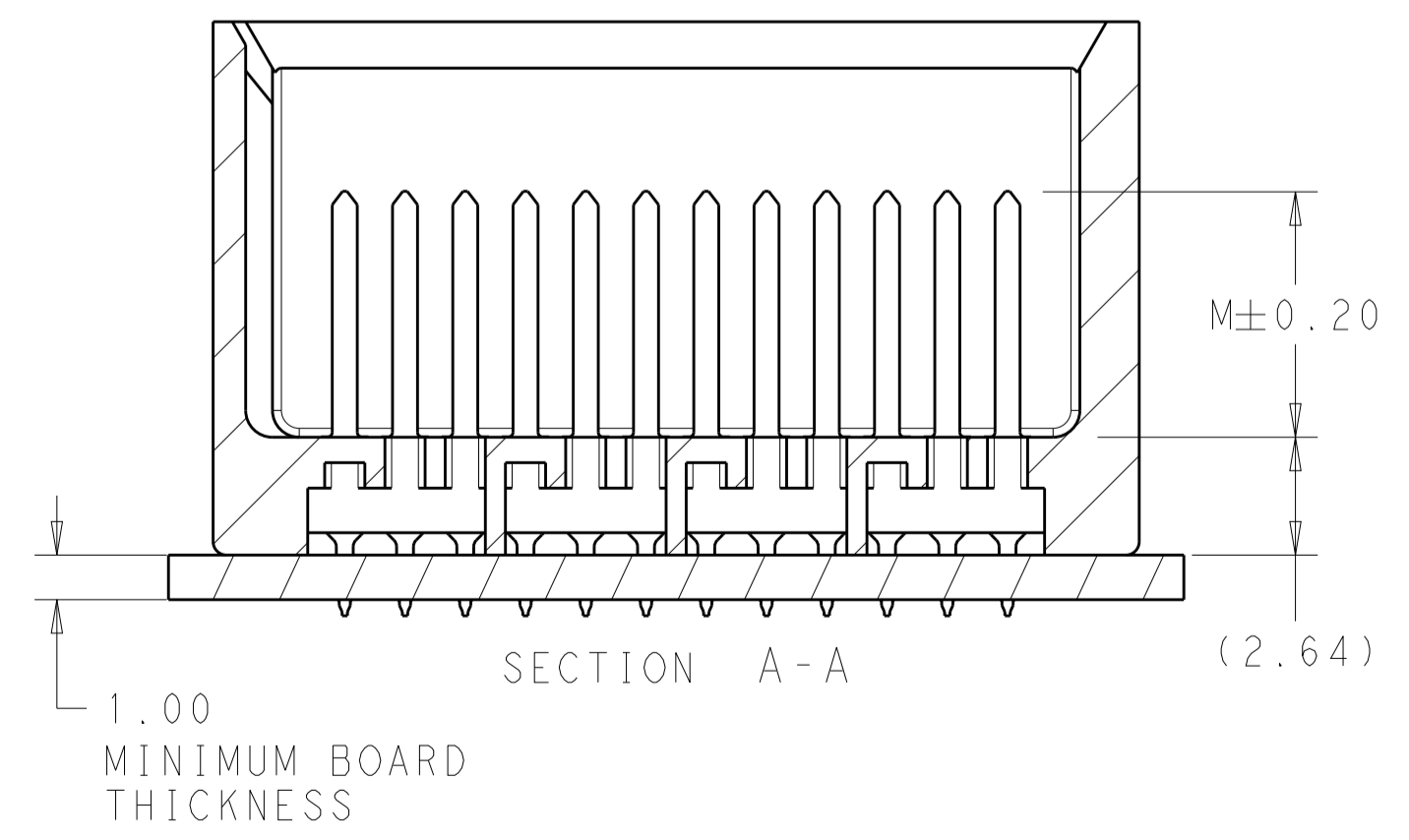
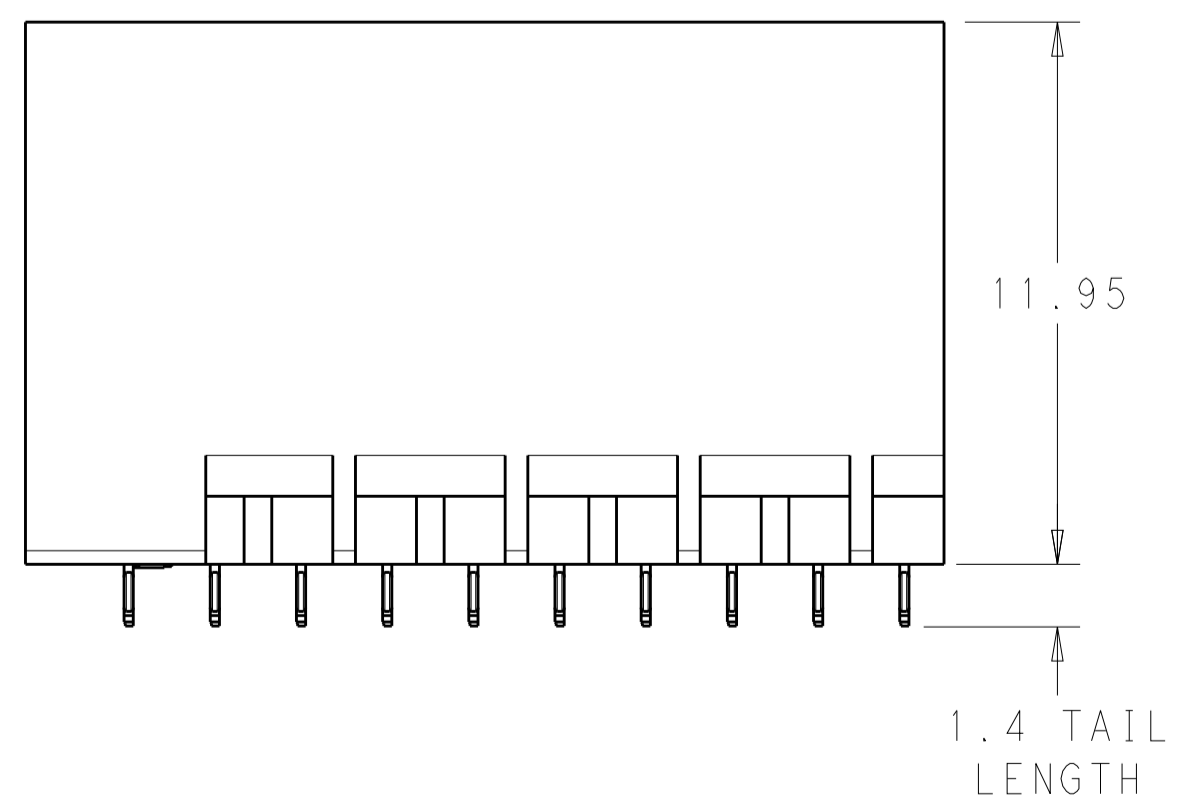
REVISIONS				
P.	LTM	DESCRIPTION	DATE	DWN APVD
A2		REVISED PER ECO-15-003239	24MAR2015	AP DD



- 1 MATERIAL:
HOUSING: LCP, GLASS FILLED, UL94V-0.
TERMINALS: HIGH PERFORMANCE COPPER ALLOY.
- 2 FINISH:
30μ" MIN GOLD IN CONTACT AREA. SELECTIVE TIN ON PCB TAILS, NICKEL OVERALL.



120X $\varnothing 0.46 \pm 0.05$
 $\varnothing 0.10$
 PLATED THRU HOLE
 UNGUIDED BACKPLANE HOLE PATTERN (CONNECTOR SIDE)



THIS DRAWING IS A CONTROLLED DOCUMENT.		DWN J. K. SHOBER 03JAN2011	STE TE Connectivity
DIMENSIONS: mm		CHK J. EARY 03JAN2011	
TOLERANCES UNLESS OTHERWISE SPECIFIED:		APVD J. EARY 03JAN2011	NAME IMPACT, 4 PAIR, 10 COLUMN, HEADER UNGUIDED, LEFT END WALL SIGNAL MODULE, 0.46 PTH
0 PLC ±		PRODUCT SPEC	SIZE CAGE CODE DRAWING NO RESTRICTED TO
1 PLC ±0.25		APPLICATION SPEC	A100779C=2007817
2 PLC ±0.13		WEIGHT	SCALE 6:1 SHEET 1 OF 2 REV A2
3 PLC ±		Customer Drawing	
4 PLC ±			
ANGLES ±			
FINISH SEE TABLE			

THIS DRAWING IS UNPUBLISHED. RELEASED FOR PUBLICATION 20
 © COPYRIGHT 20 BY - ALL RIGHTS RESERVED.

REVISIONS					
P.	LTN	DESCRIPTION	DATE	DMN	APVD
-		SEE SHEET 1	-	-	-

	5.5	2007817-3
	4.9	2007817-2
	4.5	2007817-1
FINISH	DIM M	PART NUMBER

REFER TO WWW.TE.COM
FOR PRODUCT AVAILABILITY

THIS DRAWING IS A CONTROLLED DOCUMENT.		DMN J. K. SHOBER 03JAN2011	
DIMENSIONS: mm		CHK J. EARY 03JAN2011	
TOLERANCES UNLESS OTHERWISE SPECIFIED: 0 PLC ± 1 PLC ±0.25 2 PLC ±0.13 3 PLC ± 4 PLC ± ANGLES ±		APVD J. EARY 03JAN2011	NAME IMPACT, 4 PAIR, 10 COLUMN, HEADER UNGUIDED, LEFT END WALL SIGNAL MODULE, 0.46 PTH
MATERIAL SEE TABLE		PRODUCT SPEC -	RESTRICTED TO
FINISH SEE TABLE		APPLICATION SPEC -	SIZE A100779C=2007817
Customer Drawing		WEIGHT -	SCALE 5:1
			SHEET 2 OF 2
			REV A2

单击下面可查看定价，库存，交付和生命周期等信息

[>>TE Connectivity\(泰科\)](#)