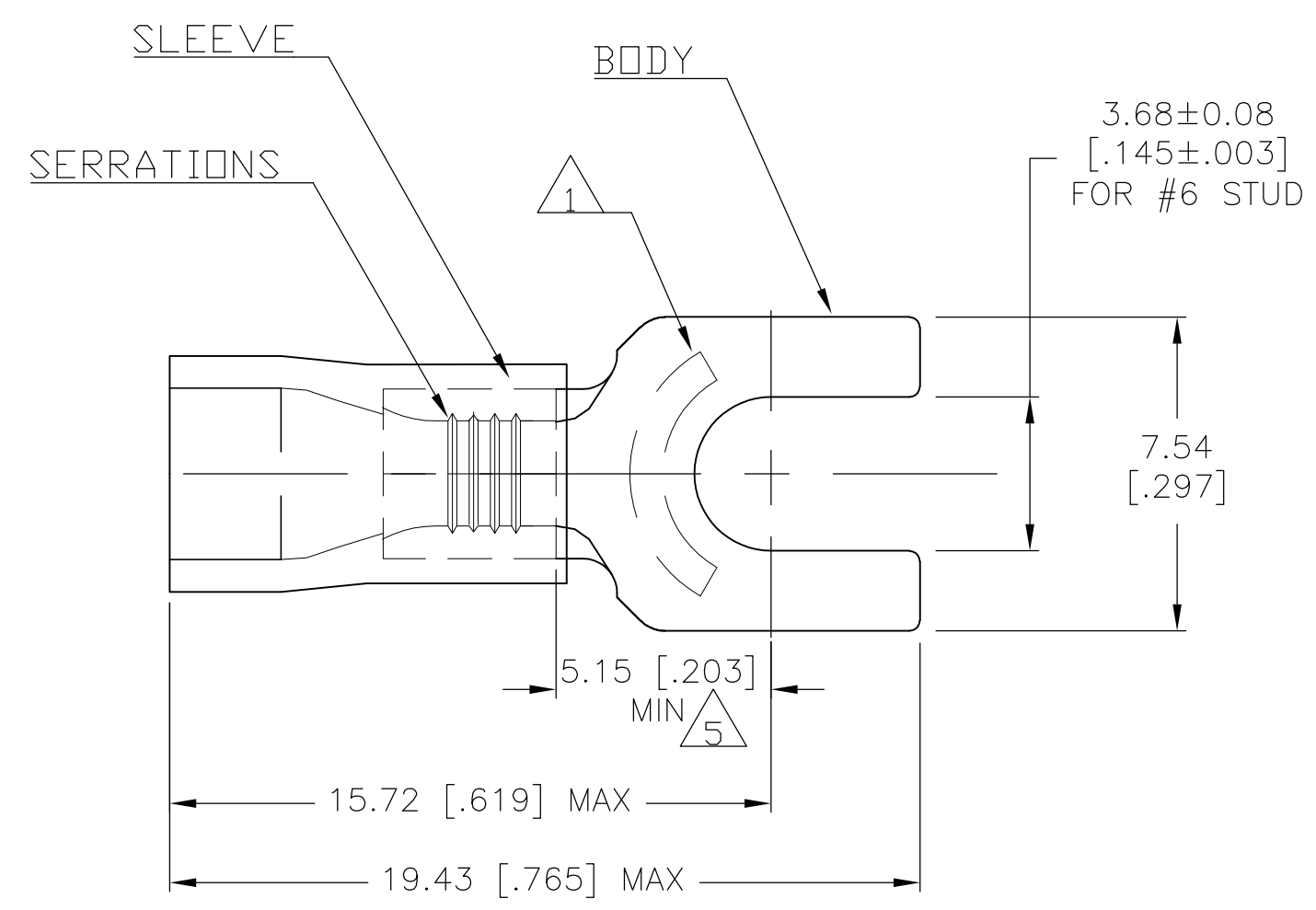


THIS DRAWING IS UNPUBLISHED. RELEASED FOR PUBLICATION
 © COPYRIGHT - By - ALL RIGHTS RESERVED.

LOC	DIST	REVISIONS					
		P	LTR	DESCRIPTION	DATE	DWN	APVD
G	14		H2	REVISED PER ECO-11-004917	11MAR11	RK	HMR

AMP WIRE RANGE	Listed FILE E13288	LR7189 Certified
16-14 AWG STRANDED	16-14 AWG STRANDED	16-14 AWG STRANDED



- 1 STAMP AMP 16-14* LOCATE APPROX AS SHOWN
- 2. WIRE INSUL DIA., 2.67-3.68 [.105-.145]
- 3. TONGUE MATL THK, 0.79 ±0.05 [.031±.002]
- 4 MATERIAL: BODY - CU PER ASTM B152
SLEEVE - PVC, COLOR - BLUE
- 5 APPLIES FROM THE METAL EDGE OF BARREL TO THE CENTER OF THE STUD HOLE
- 6 REPLACED BY 322994

QTY	PACKAGE TYPE	PART NO
50	LOOSE PIECE, BAG	8-322994-5
5	LOOSE PIECE, BLS	8-322994-4
100	LOOSE PIECE, BOX	8-322994-1
5000	ON TAPE, REEL	2-322994-1
1000	LOOSE PIECE	322994

AMP INCORPORATED CUSTOMER SERVICE SYSTEMS		MAX RECOMMENDED OPERATING TEMPERATURE: 105°C [221° F]	THIS DRAWING IS A CONTROLLED DOCUMENT.		DWN G VINSON 03NOV94	TE Connectivity					
FOR ADDITIONAL PRODUCT INFORMATION OR COPIES OF DRAWINGS AND TECHNICAL DOCUMENTS	PRODUCT INFORMATION CENTER 1-800-522-6752	VOLTAGE RATING: 600V MAX (1000V FIXTURE OR SIGN)	DIMENSIONS: mm[INCHES]	TOLERANCES UNLESS OTHERWISE SPECIFIED:	CHK M ELLIS 03NOV94				NAME TERMINAL, SPADE, PLASTI-GRIP, WIRE SIZE: 16-14		
FOR APPLICATION TOOLING INFORMATION	TOOLING ASSISTANCE CENTER 1-800-722-1111	CIRCULAR MIL AREA: 1.04-2.62mm² [2,050-5,180] STRANDED		0 PLC ± - 1 PLC ± - 2 PLC ± 0.20 [.008] 3 PLC ± - 4 PLC ± - ANGLES ± -	APVD G NGO 03NOV94	PRODUCT SPEC UL486A	SIZE	CAGE CODE	DRAWING NO	RESTRICTED TO	
FOR ORDER ENTRY	1-800-526-5142	THIS DRAWING IS A CONTROLLED DOCUMENT FOR AMP INCORPORATED. IT IS SUBJECT TO CHANGE AND THE CONTROLLING ENGINEERING ORGANIZATION SHOULD BE CONTACTED FOR THE LATEST REVISION.	MATERIAL 	FINISH -	PRODUCT SPEC -	APPLICATION SPEC -	WEIGHT -	A3	00779	C-322994	-
					CUSTOMER DRAWING		SCALE 6:1	SHEET 1 OF 1	REV H2		

单击下面可查看定价，库存，交付和生命周期等信息

[>>TE Connectivity\(泰科\)](#)