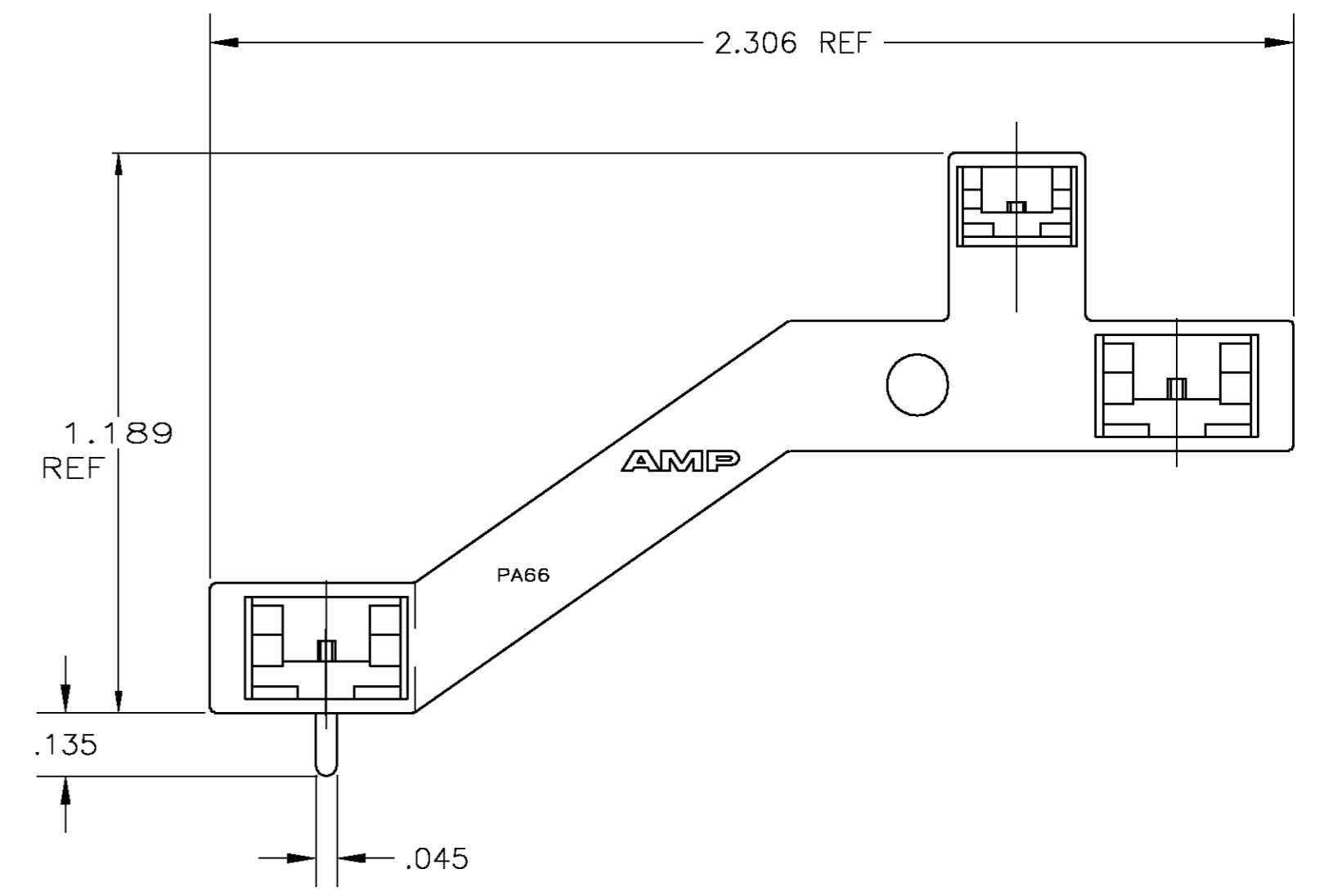
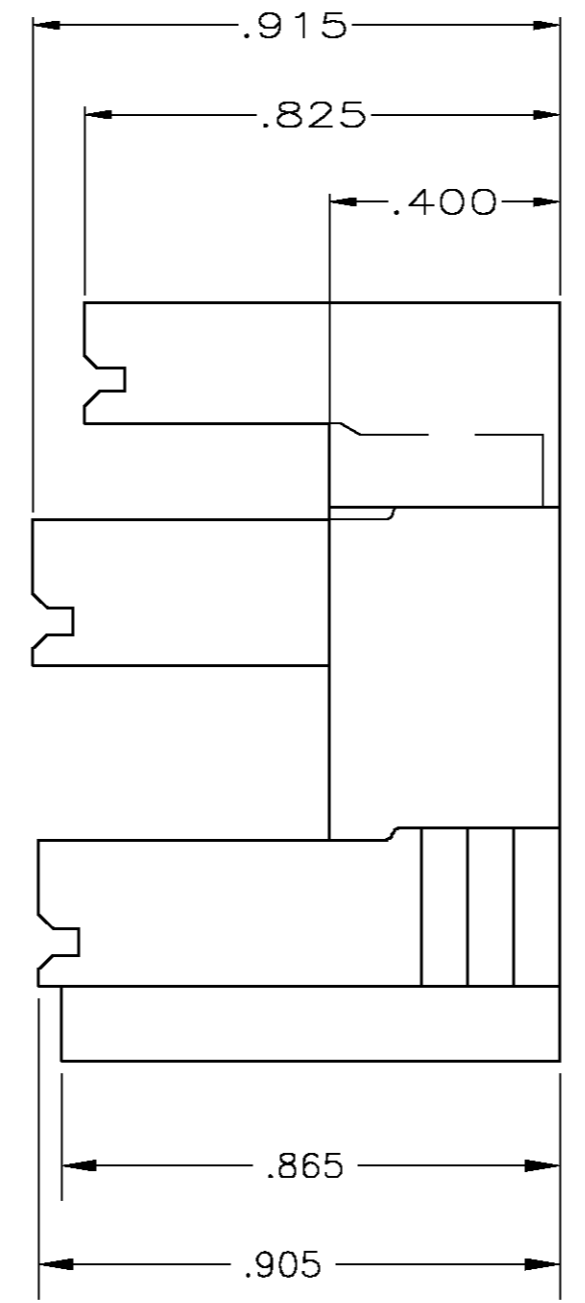
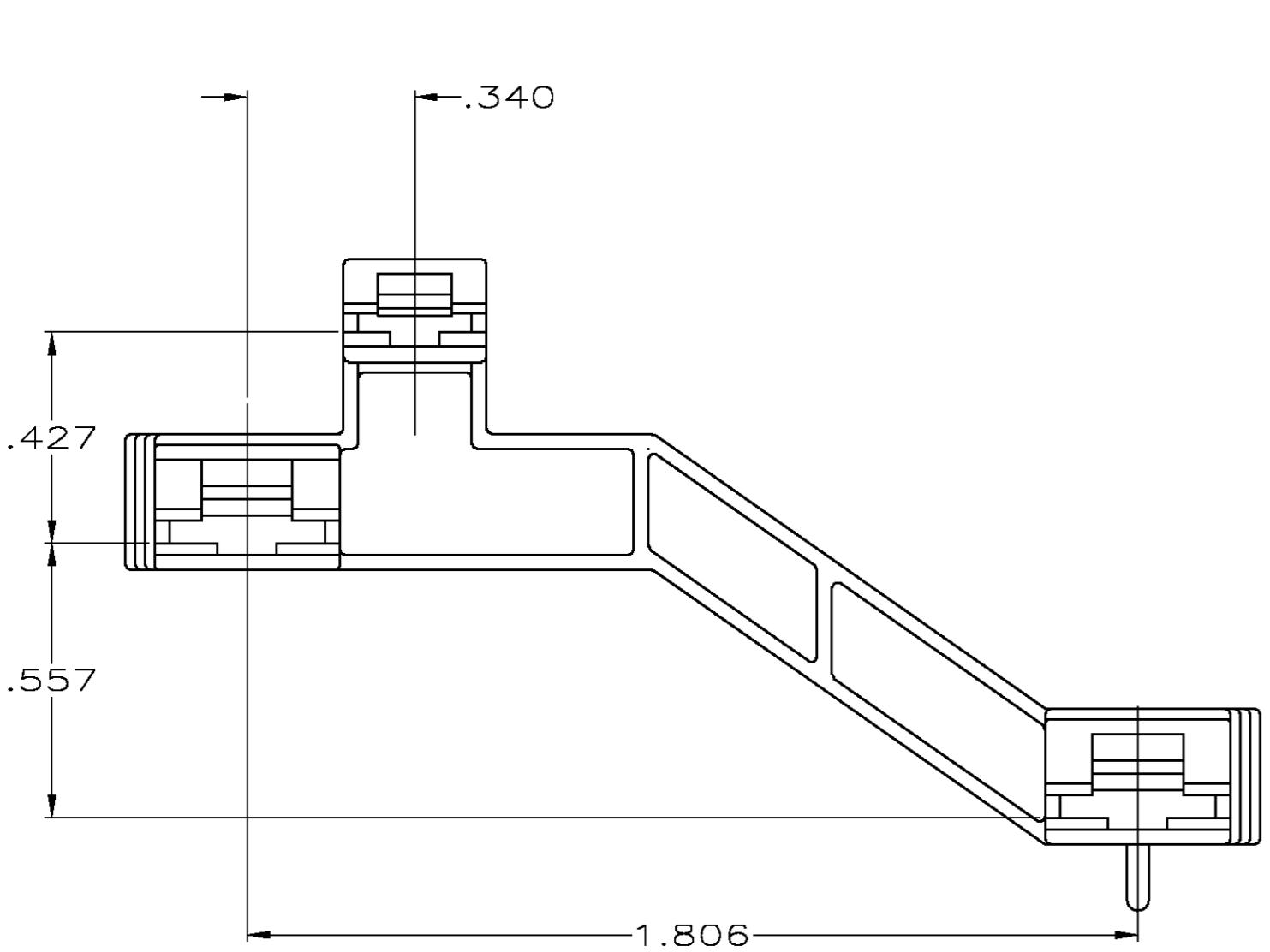
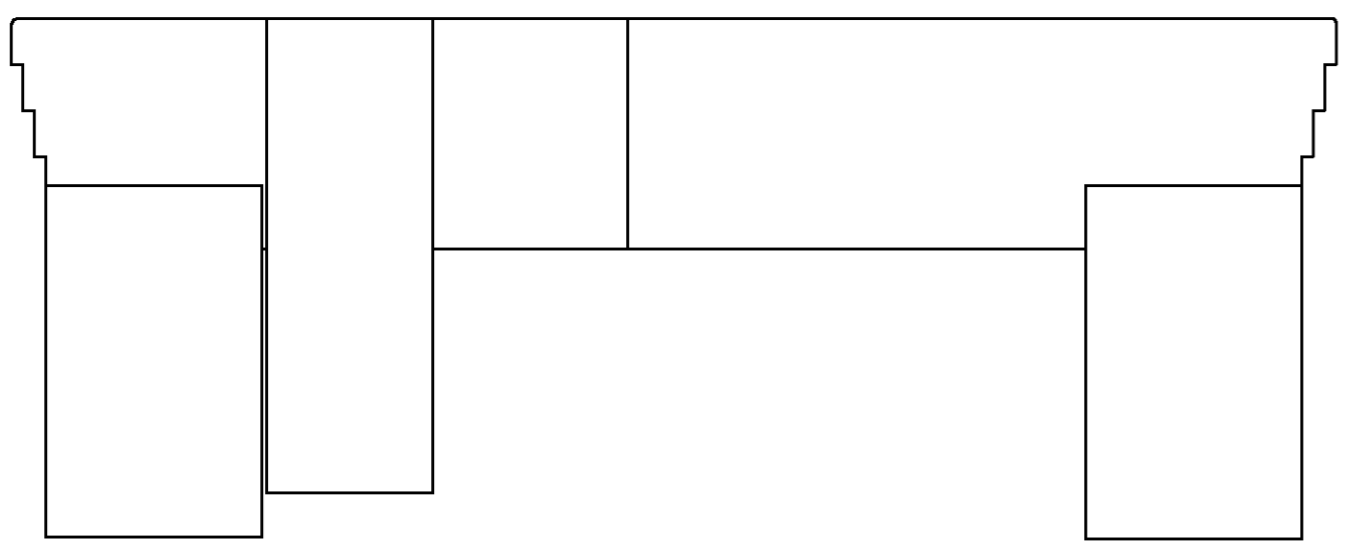


THIS DRAWING IS UNPUBLISHED. RELEASED FOR PUBLICATION  
 © COPYRIGHT BY TYCO ELECTRONICS CORPORATION. ALL RIGHTS RESERVED.

| LOC | DIST | REVISIONS   |                      |         |       |
|-----|------|-------------|----------------------|---------|-------|
| P   | LTR  | DESCRIPTION | DATE                 | DWN     | APVD  |
| AF  | 50   | H           | REV PER 0G3A-0784-03 | 15DEC03 | JR PD |



521488-1  
 PART NO.

|  |  |                  |   |         |  |
|--|--|------------------|---|---------|--|
| THIS DRAWING IS A CONTROLLED DOCUMENT.   |  | DWN              | JR RUTH                                     | 06MAY02 | <br>Tyco Electronics Corporation<br>Harrisburg, PA 17105 |
| DIMENSIONS: INCHES   |  | CHK              | P DESANTIS                                  | 06MAY02 |  |
| TOLERANCES UNLESS OTHERWISE SPECIFIED:   |  | APVD             | P DESANTIS                                  | 06MAY02 |  |
| 0 PLC ± -<br>1 PLC ± -<br>2 PLC ± -<br>3 PLC ± .010<br>4 PLC ± -<br>ANGLES ± -<br>FINISH NATURAL |  | PRODUCT SPEC     | NAME  |         |  |
| MATERIAL 6/6 NYLON   |  | APPLICATION SPEC | HOUSING, RECEPT, FASTON, .187 & .250 SERIES |         | RESTRICTED TO  |
|  |  | WEIGHT           | A2 00779 C=521488                           |         |  |
|  |  | CUSTOMER DRAWING | SCALE                                       | 3:1     | SHEET 1 OF 1 REV H                                       |

521488

单击下面可查看定价，库存，交付和生命周期等信息

[>>TE Connectivity\(泰科\)](#)