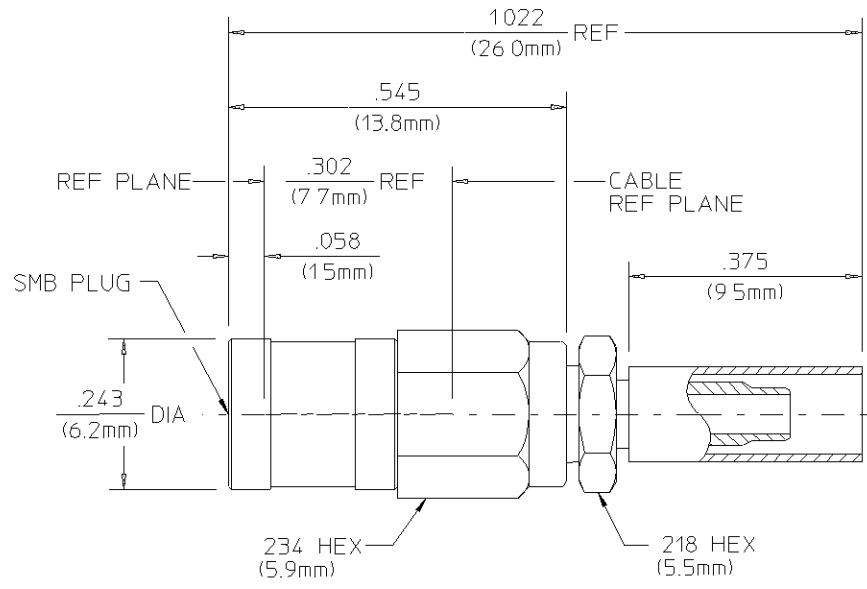


REVISIONS			
REV	DESCRIPTION	DATE	APPROVED
01 ₀	REDRAWN AND RELEASED	PMD 2-5-88	LROSS 2-11-88
02 ₀	MAJOR CHANGES PER ECN 90-0204-1	M.C. 9-11-89	<i>[Signature]</i> 1/15/90



.XXX = in
XX.X = mm (REF)

COMPONENT	MATERIAL	FINISH
HOUSING COUPLING NUT CLAMP NUT SLEEVE	BRASS PER ASTM-B-16, HALF HARD	GOLD PLATE PER MIL-G-45204
DIELECTRIC	PTFE FLUOROCARBON PER ASTM-D-1457	N/A
CENTER CONTACT	BERYLLIUM COPPER PER ASTM-B-196 OR ASTM-B-197, ALLOY C17300, CONDITION H	GOLD PLATE PER MIL-G-45204
RETAINING RING	BERYLLIUM COPPER PER ASTM-B-194, ALLOY C17200, CONDITION H	N/A
FERRULE	COPPER OR BRASS ALLOY ROCKWELL F65 MAXIMUM	GOLD PLATE PER MIL-G-45204

- NOTES:
- DESIGNED FOR USE WITH RG174/U, RG188/U AND RG316/U CABLE.
 - CAPTURED CENTER CONTACT

CABLE ENTRY DIAMETER MINIMUM	
FERRULE	.125
SLEEVE	.062
CONTACT	.024

UNLESS OTHERWISE SPECIFIED DIMENSIONS ARE IN INCHES
TOLERANCE ON
FRAC. DEC. ANGLES
± 1/64 ± .005 ± 1°
These drawings and specifications are the property of AMP Incorporated and shall not be reproduced or copied or used in whole or in part as the basis for the manufacture or sale of item(s) without written permission

DRAWN BY PJP	DATE 3-11-68
CHECKED BY G STEVENS	5-6-88
APPROVED BY BAR	5-15-88
USE ASSY PROCEDURE	
408-04727 NO APP (51-036)	

AMP Incorporated
140 Fourth Avenue
Walham, MA 02451-7599

TITLE
SMB STRAIGHT CABLE
PLUG CRIMP ATTACHMENT

SIZE B	CODE IDENT NO 26805	5131-5007-09	REV 02 ₀
SCALE 5:1		SHEET 1 OF 1	

单击下面可查看定价，库存，交付和生命周期等信息

[>>TE Connectivity\(泰科\)](#)