

4

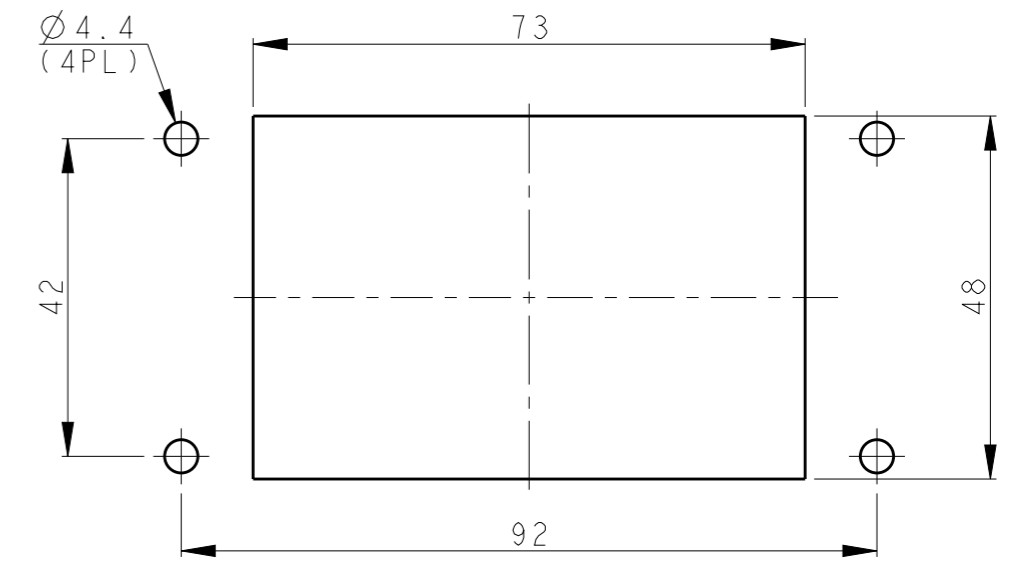
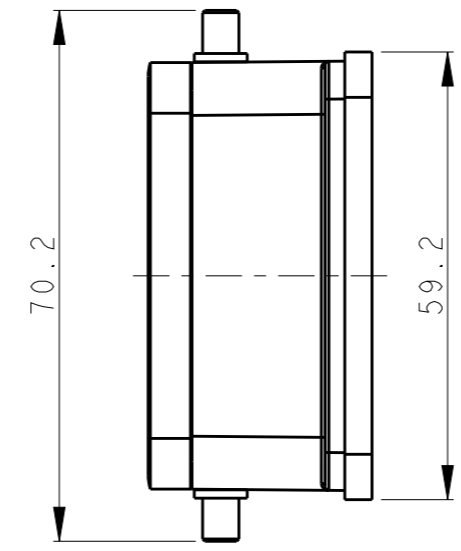
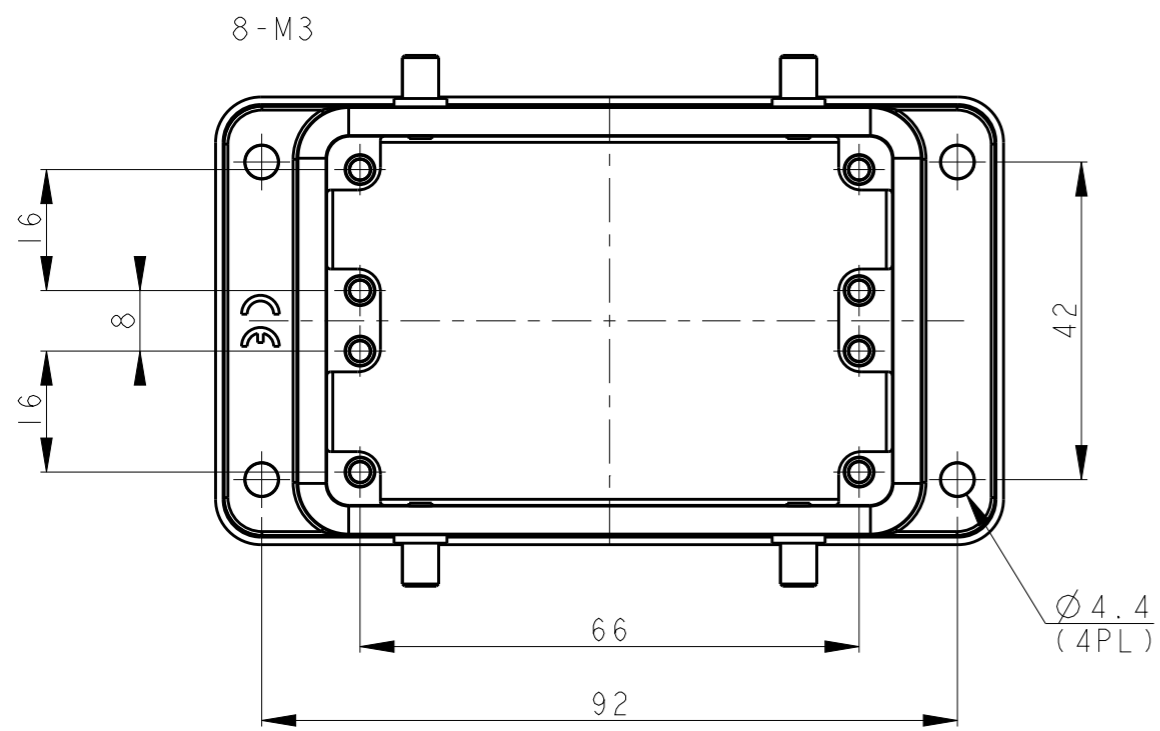
3

2

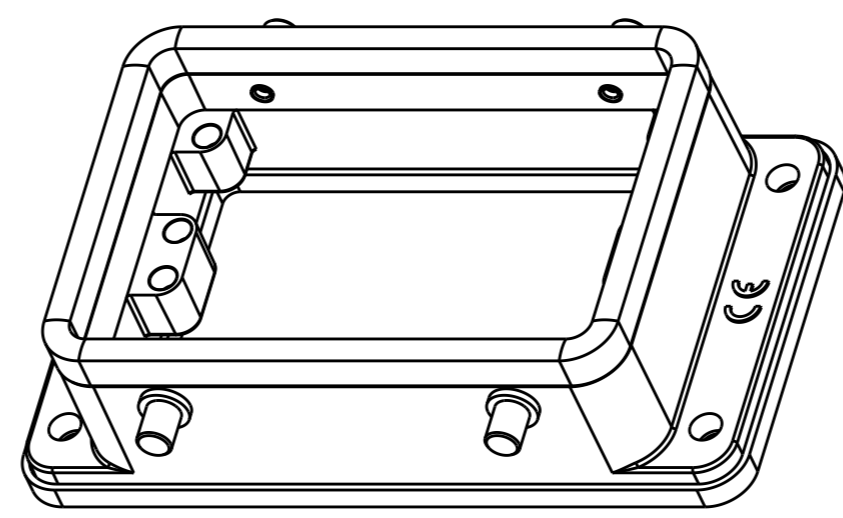
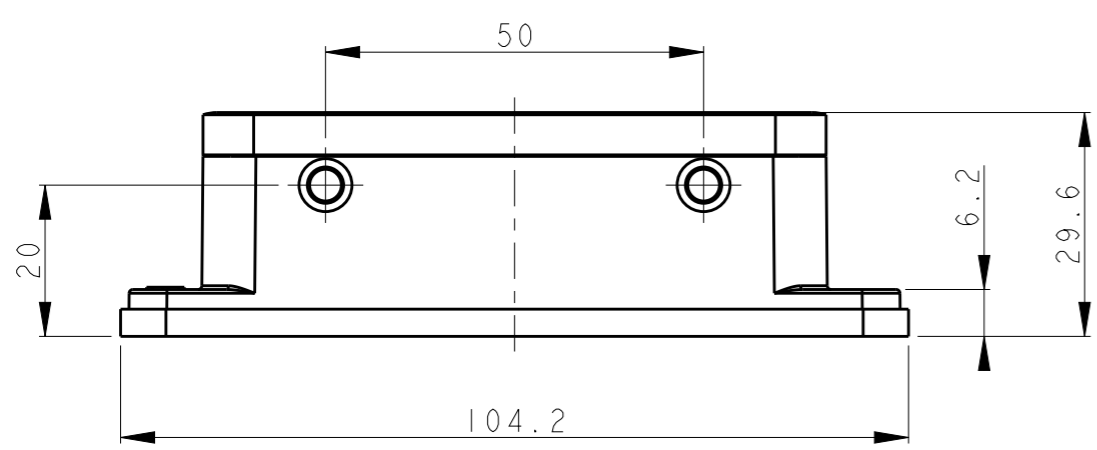
1

THIS DRAWING IS UNPUBLISHED. RELEASED FOR PUBLICATION 20
 © COPYRIGHT 20 BY - ALL RIGHTS RESERVED.

REVISIONS					
P	LTR	DESCRIPTION	DATE	DWN	APVD
	A	INITIAL RELEASE	22APR2015	DL	CW
	A1	ECR-15-013439	11SEP2015	DL	CW
	B	ECR-20-010477	28DEC2020	BS	CW




PANNEL CUT OUT



NOTES:
 1. TECHNICAL CHARACTERISTICS:
 BODY MATERIAL: DIE CAST ALUMINIUM ALLOY
 SURFACE TREATMENT: POWDER-COATED, GRAY
 DEGREE OF PROTECTION: IP65 (MATED)

注释:
 1. 技术参数:
 主体材料: 铝合金
 表面处理: 粉末喷涂, 灰色
 防护等级: IP65(配合)

T1419320001-000	H32A-AG-BO
ASSEMBLY PART NUMBER	ASSEMBLY PART DESCRIPTION

THIS DRAWING IS A CONTROLLED DOCUMENT.		DWN	22APR2015	 TE Connectivity	
DIMENSIONS: mm		CHK	22APR2015		
TOLERANCES UNLESS OTHERWISE SPECIFIED:		APVD	22APR2015		
0 PLC ±- 1 PLC ±- 2 PLC ±- 3 PLC ±- 4 PLC ±- ANGLES ±-		NAME	H32A-AG-BO		
MATERIAL		PRODUCT SPEC	108-137010	SIZE	A3
FINISH		APPLICATION SPEC	114-137010	CAGE CODE	-
		WEIGHT	-	DRAWING NO	©-T1419320001000
		Customer Drawing		RESTRICTED TO	-
				SCALE	1:1
				SHEET	1 OF 1
				REV	B

单击下面可查看定价，库存，交付和生命周期等信息

[>>TE Connectivity\(泰科\)](#)