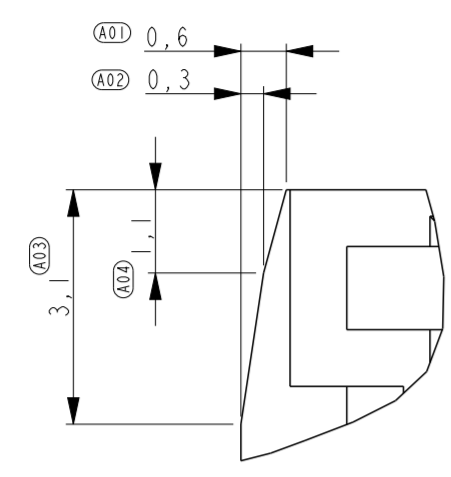
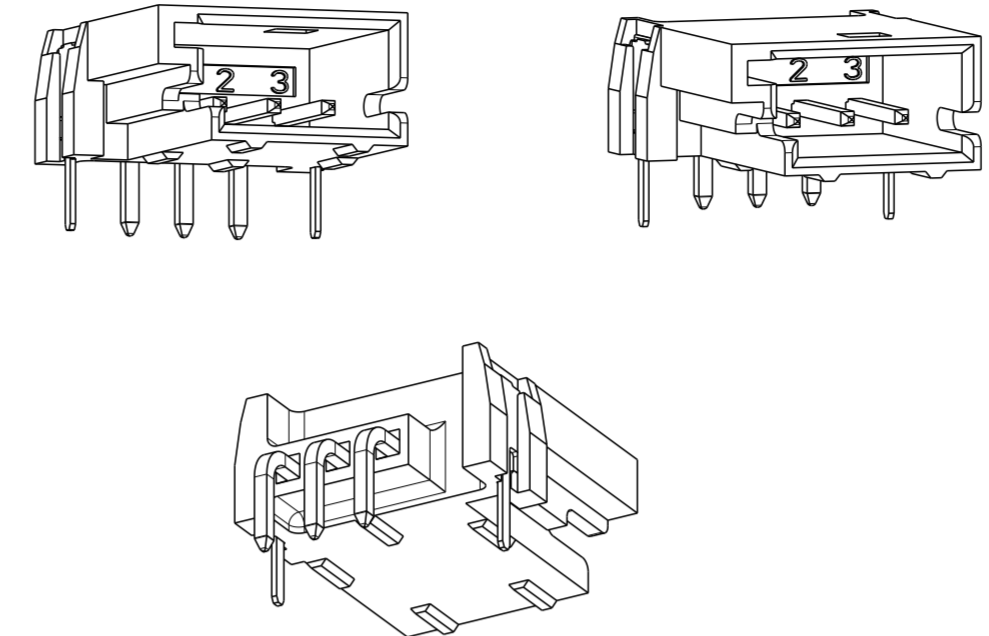
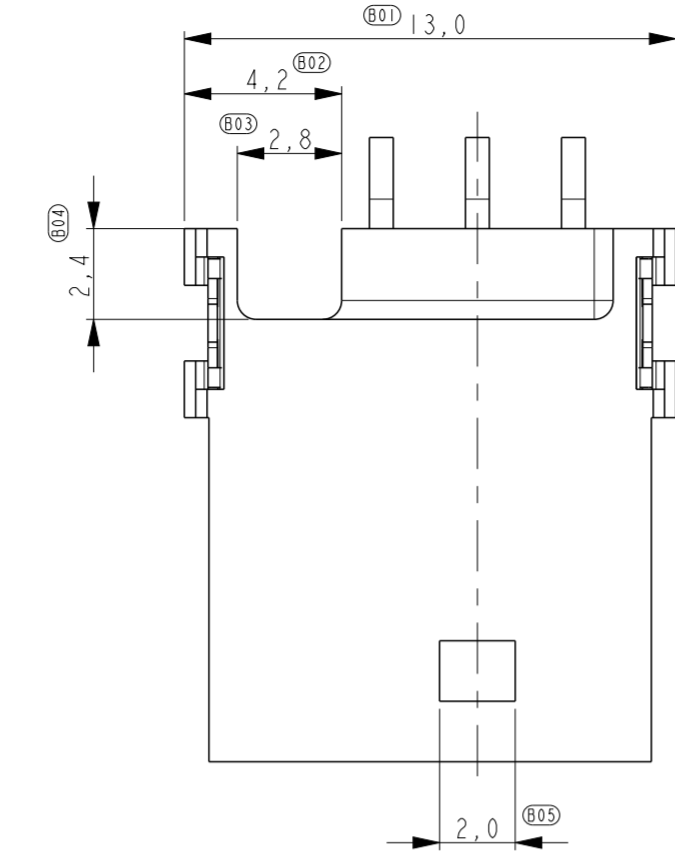


THIS DRAWING IS UNPUBLISHED. RELEASED FOR PUBLICATION
 © COPYRIGHT - ALL RIGHTS RESERVED.

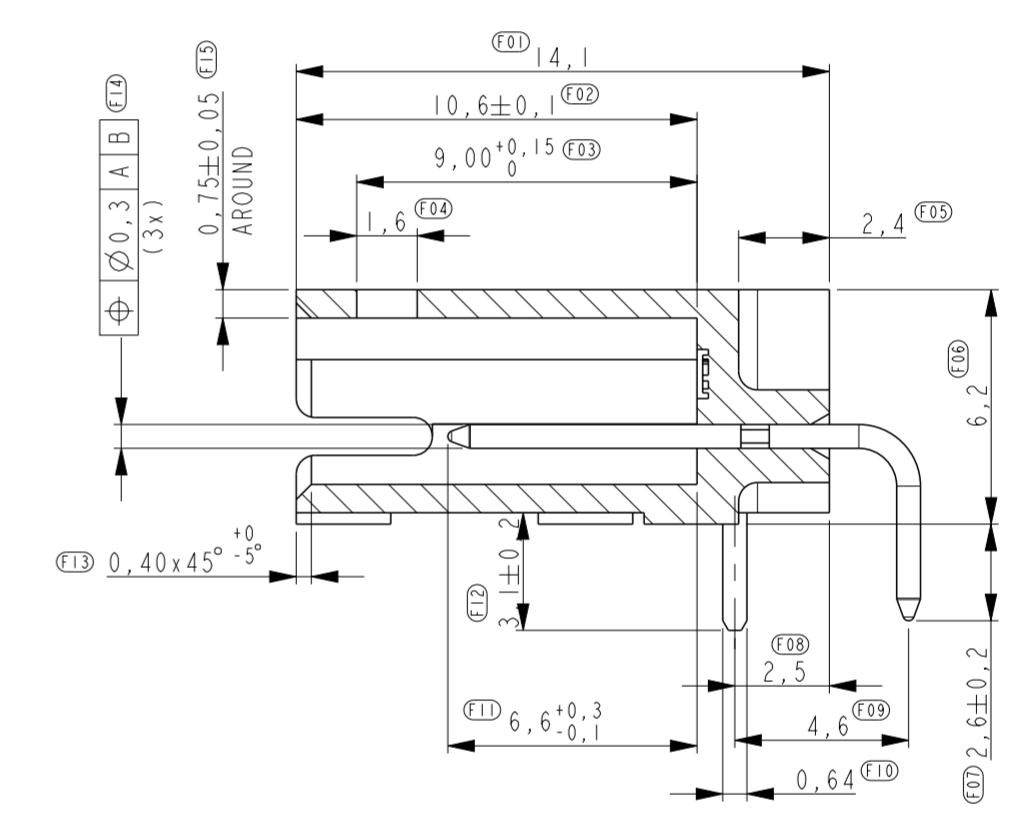
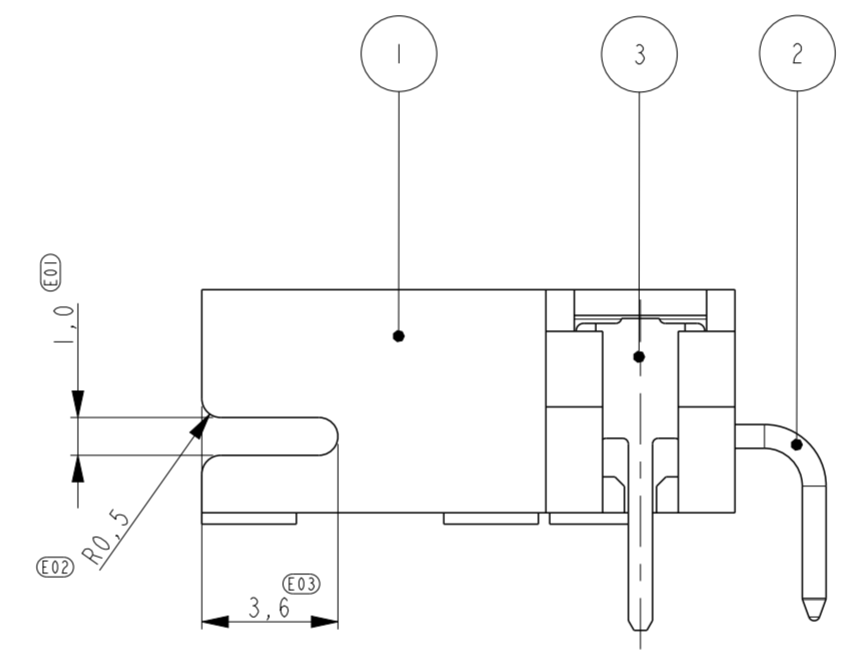
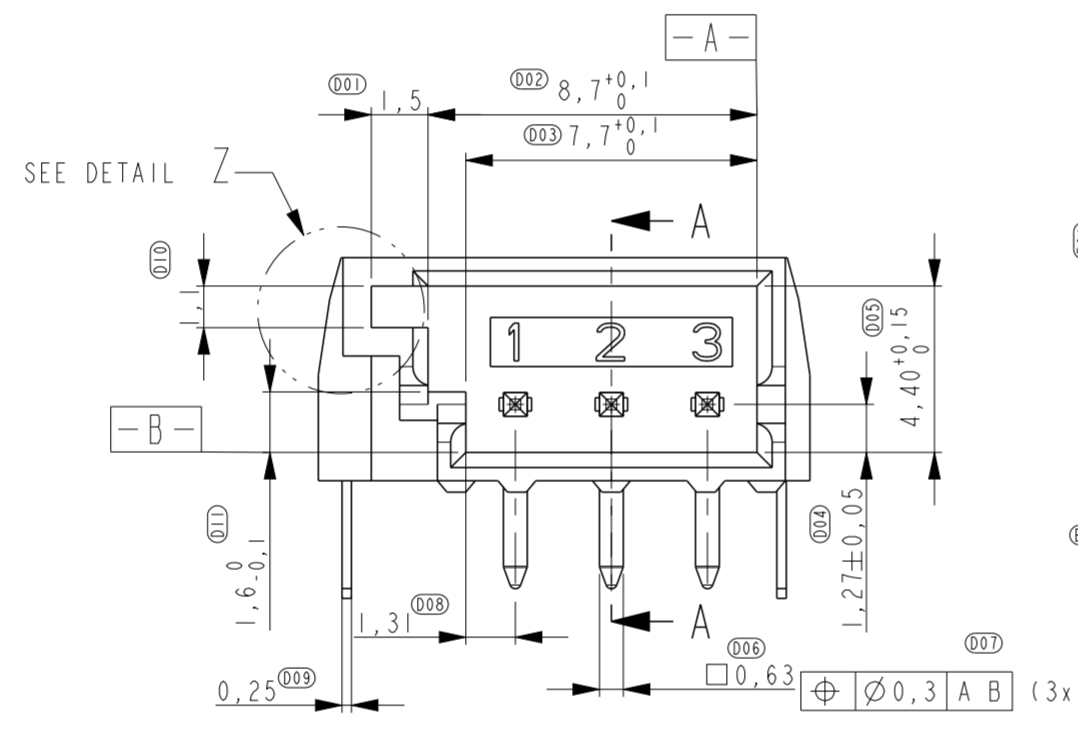
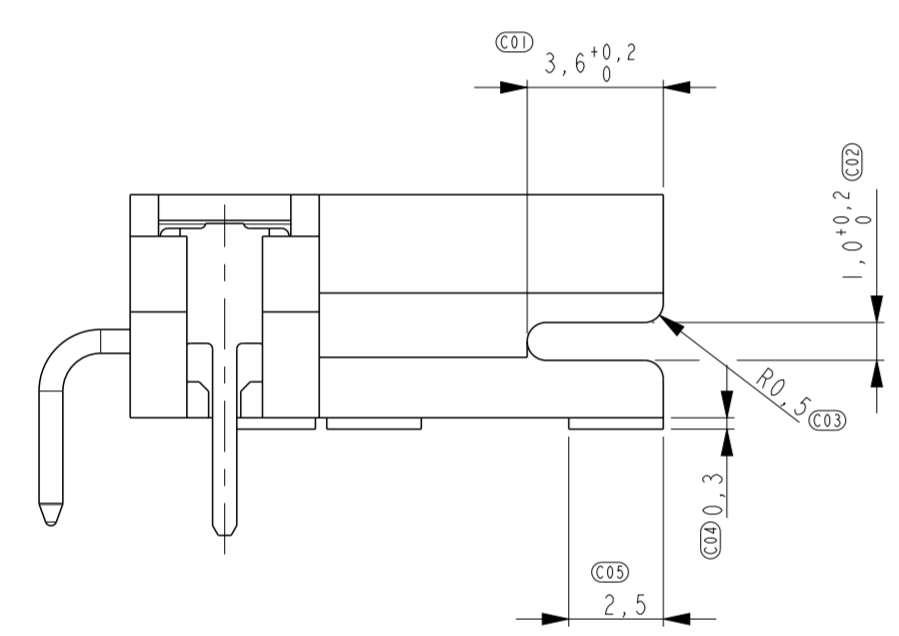
LOC		DIST		REVISIONS			
P	LTR	DESCRIPTION	DATE	DWN	APVD		
	FI	ECR-13-001688	29JAN2013	GG	RRP		



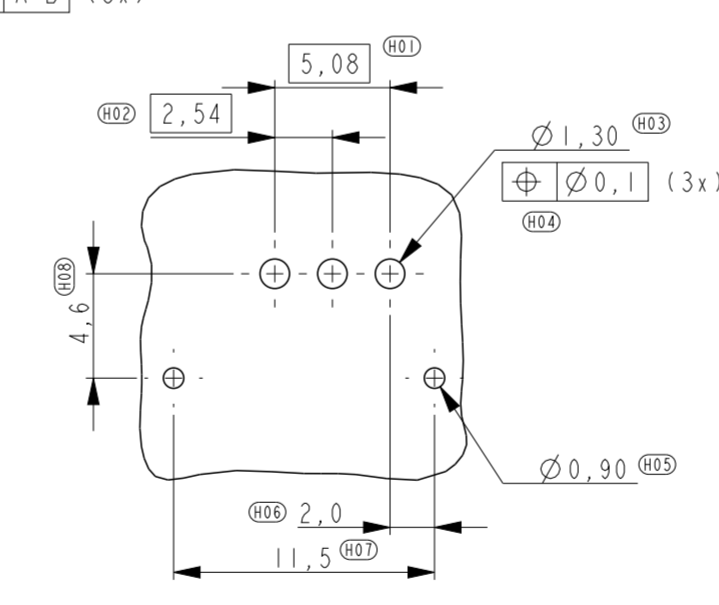
DETAIL Z
SCALE 10:1



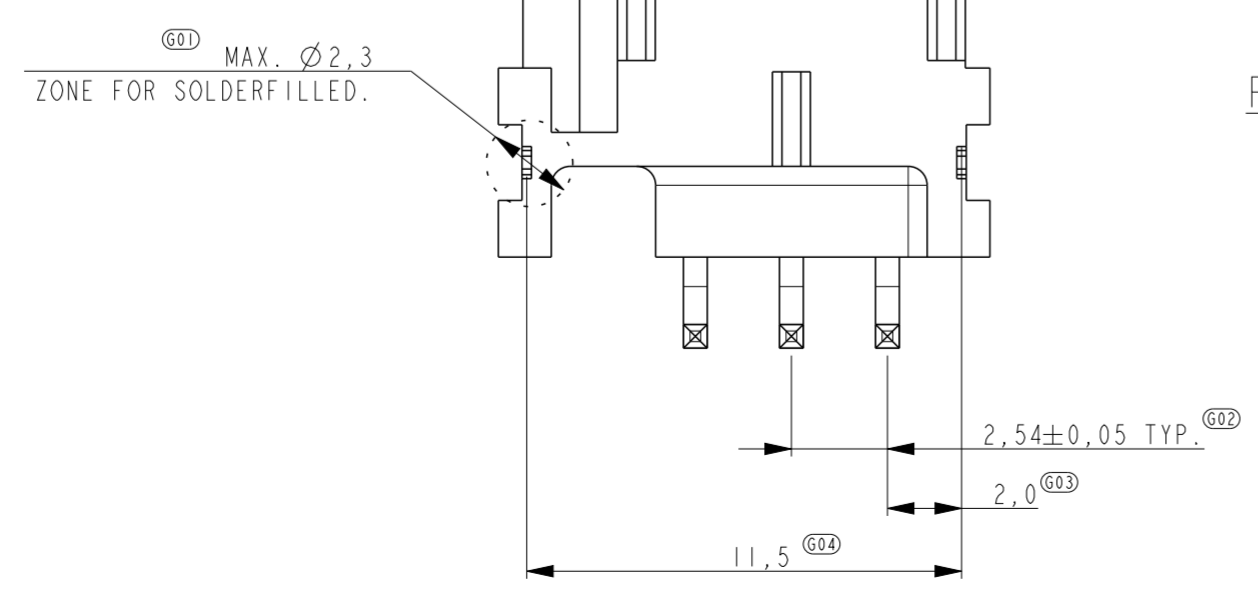
NOTE:
 1. ALL RADII R0,2 EXCEPT AS NOTED.
 2. PACKING:
 1857167-1 - TRAY PACKED
 1857167-2 - TAPE AND REEL PACKAGING ACCORDING TO EIA-481



SECTION A-A



PCB LAYOUT 3 POS
SCALE 3:1



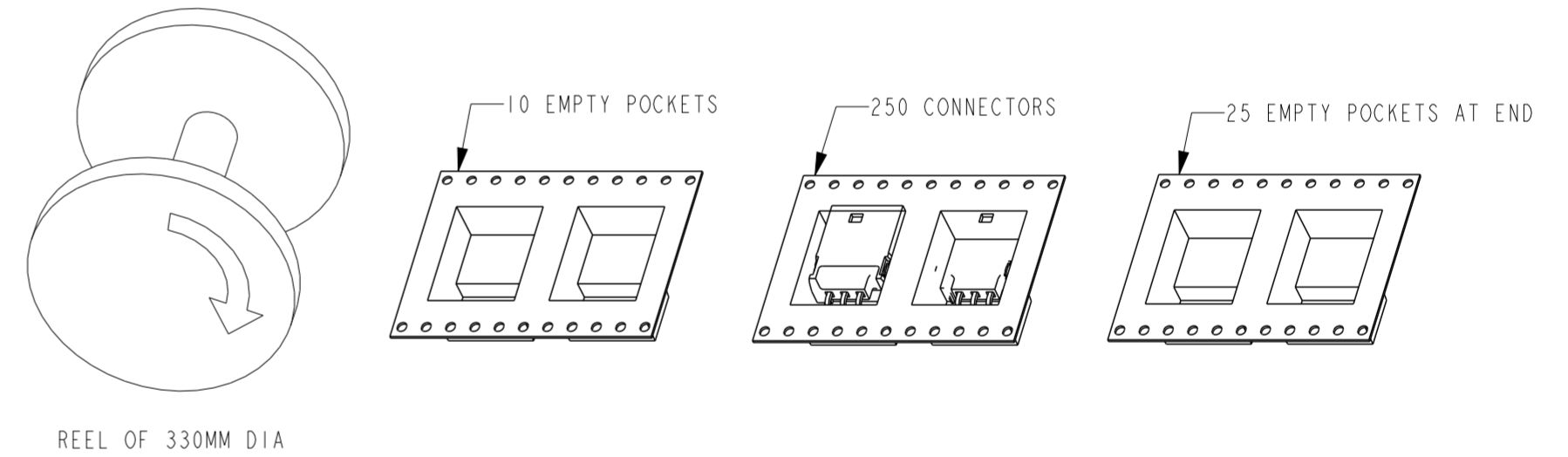
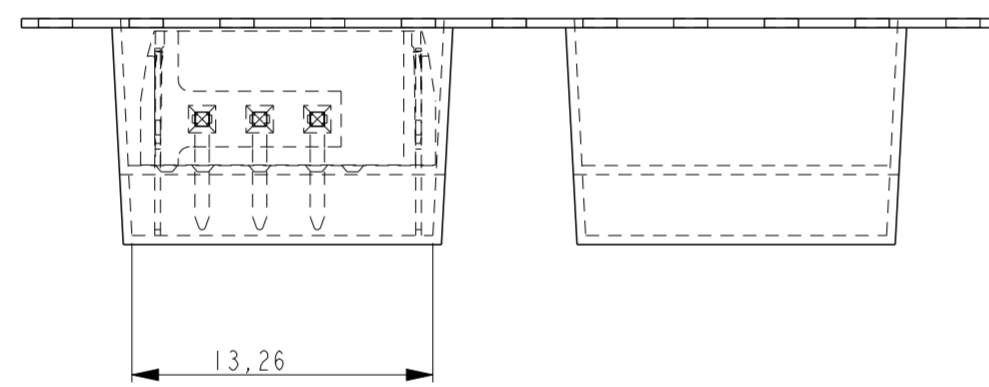
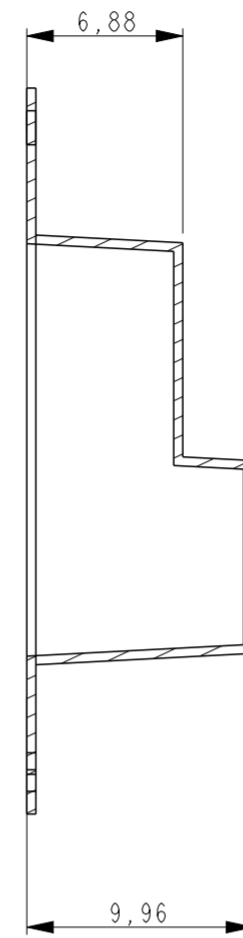
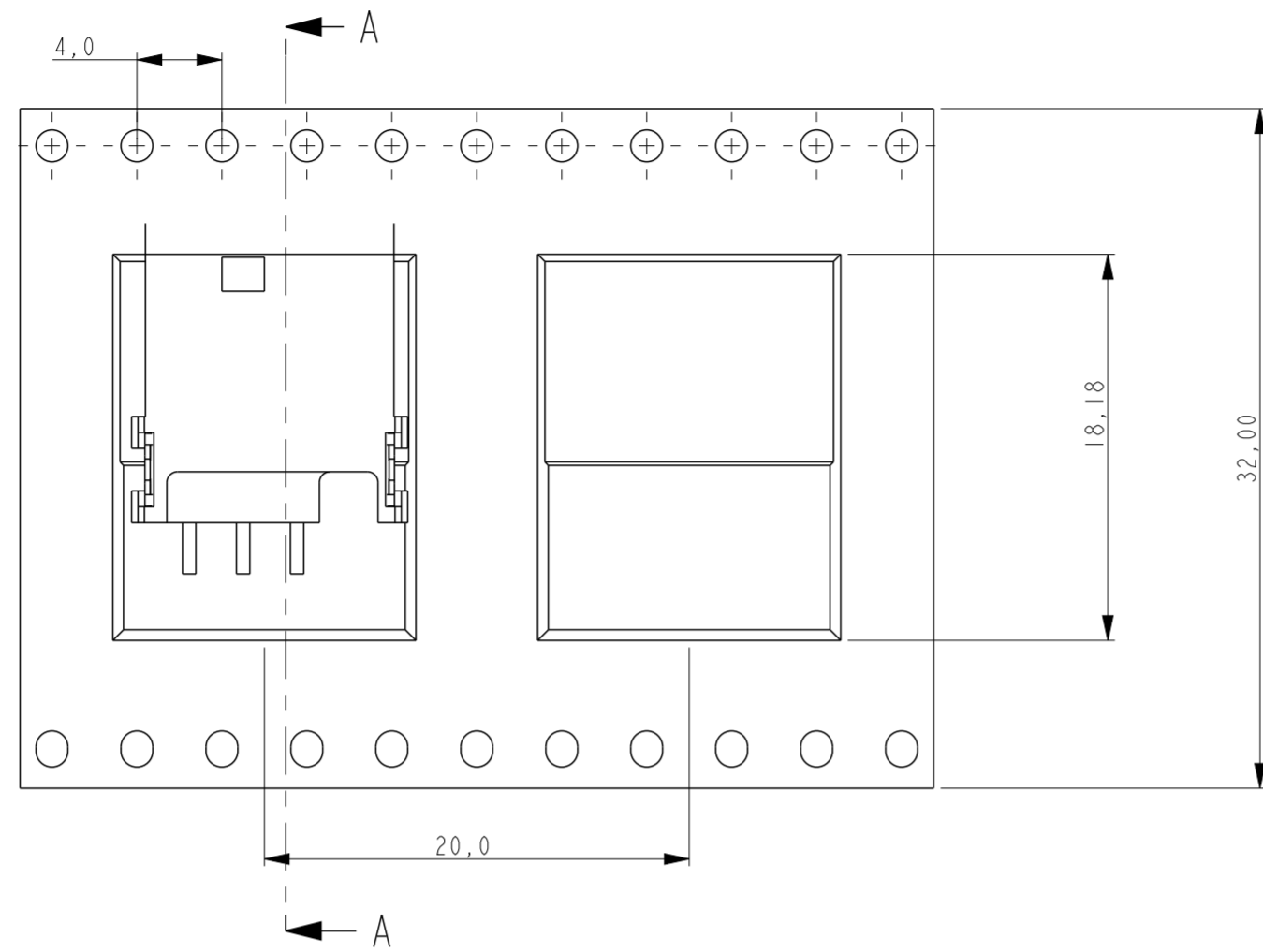
1857167-1 AS SHOWN

FINISH	MATERIAL	DESCRIPTION	FG PART NUMBER
Tin and Nickel	CuZn	BOARDLOCK	1857167-2
Tin and Nickel	CuFe2p	CONTACT	
-	LCP GF 30%	HOUSING	1857167-1
Tin and Nickel	CuZn	BOARDLOCK	
Tin and Nickel	CuFe2p	CONTACT	
-	PA 4.6 30% GF	HOUSING	


THIS DRAWING IS A CONTROLLED DOCUMENT.		DWN 06 JUL 05 J.V.D. HEIJDEN	TE Connectivity	
DIMENSIONS: mm		CHK 03 FEB 2006 D.CAMPSCROER		
TOLERANCES UNLESS OTHERWISE SPECIFIED:		APVD 06 JUL 05 J.BROEKSTEEG	PRODUCT SPEC	PIN HEADER 3 POSITION TYPE A
0 PLC ±		APPLICATION SPEC	SIZE	RESTRICTED TO
1 PLC ±0,1		WEIGHT	A2	
2 PLC ±0,05		CUSTOMER DRAWING	CAGE CODE	
3 PLC ±		SCALE 5:1	00779	
4 PLC ±		SHEET 1 OF 2	DRAWING NO	
ANGLES ±		REV FI	C=1857167	
FINISH				

THIS DRAWING IS UNPUBLISHED. RELEASED FOR PUBLICATION
 © COPYRIGHT - ALL RIGHTS RESERVED.

LOC	DIST	REVISIONS				
P	LTR	DESCRIPTION	DATE	DWN	APVD	
IR	-	SEE SHEET 1	-	-	-	



1857167-2 AS SHOWN

THIS DRAWING IS A CONTROLLED DOCUMENT.		DWN J.V.D. HEIJDEN 06 JUL 05	 TE Connectivity	
DIMENSIONS: mm		CHK D.CAMPSCHEER 03 FEB 2006		
TOLERANCES UNLESS OTHERWISE SPECIFIED:		APVD J.BROEKSTEEG 06 JUL 05	SIZE A2	CAGE CODE 00779
0 PLC ±- 1 PLC ±0,1 2 PLC ±0,05 3 PLC ±- 4 PLC ±- ANGLES ±- FINISH ±-		PRODUCT SPEC -	DRAWING NO C-1857167	RESTRICTED TO -
MATERIAL -		APPLICATION SPEC -	WEIGHT -	SCALE 5:1
		CUSTOMER DRAWING	SHEET 2 OF 2	REV F1

单击下面可查看定价，库存，交付和生命周期等信息

[>>TE Connectivity\(泰科\)](#)