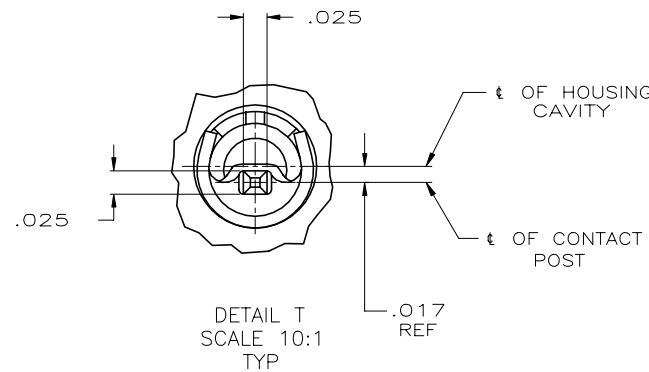
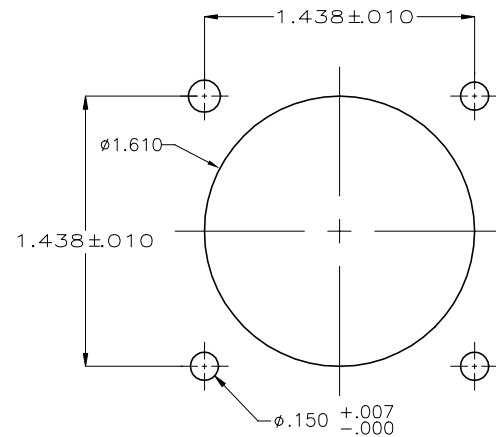
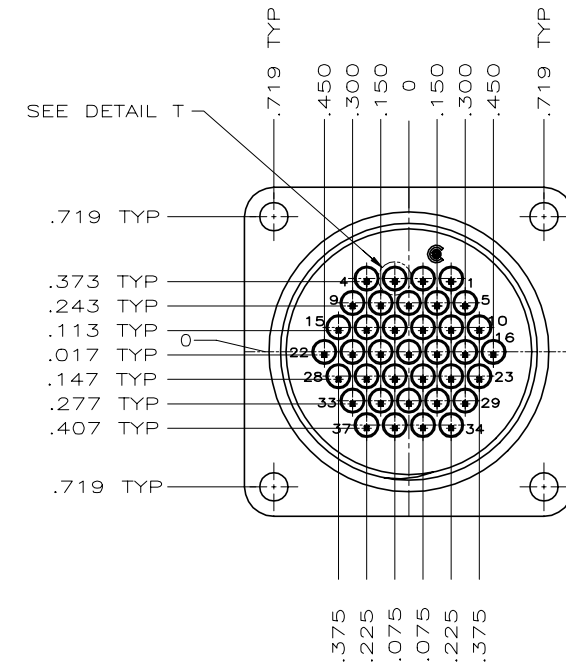
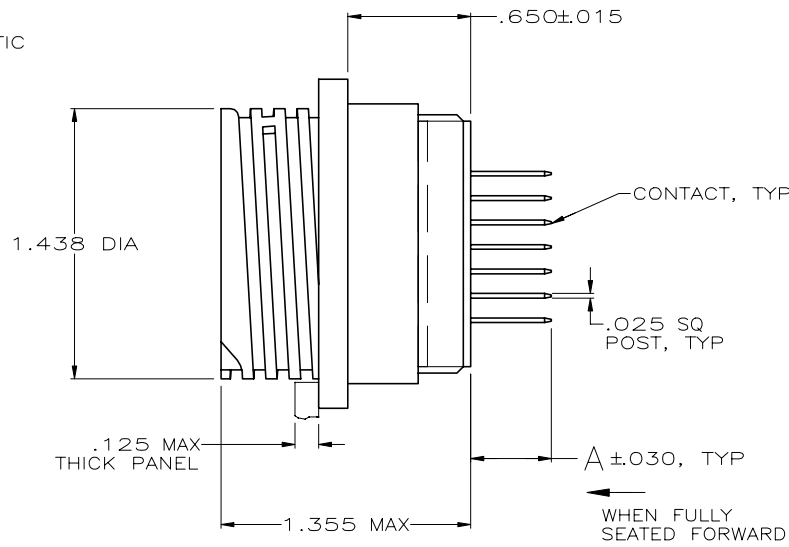
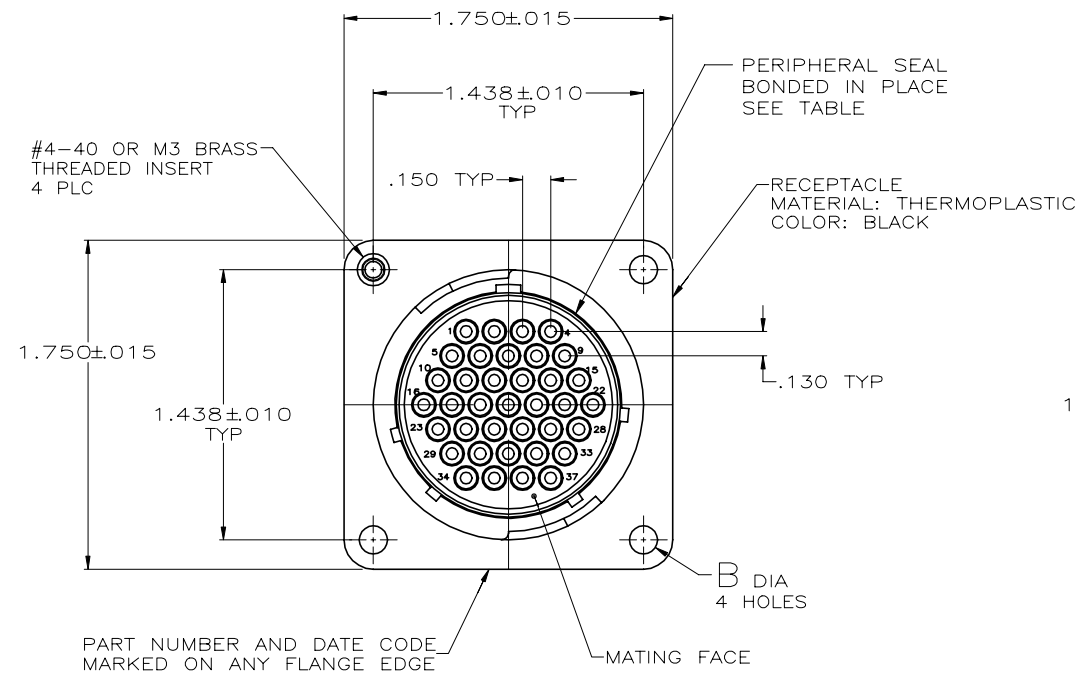
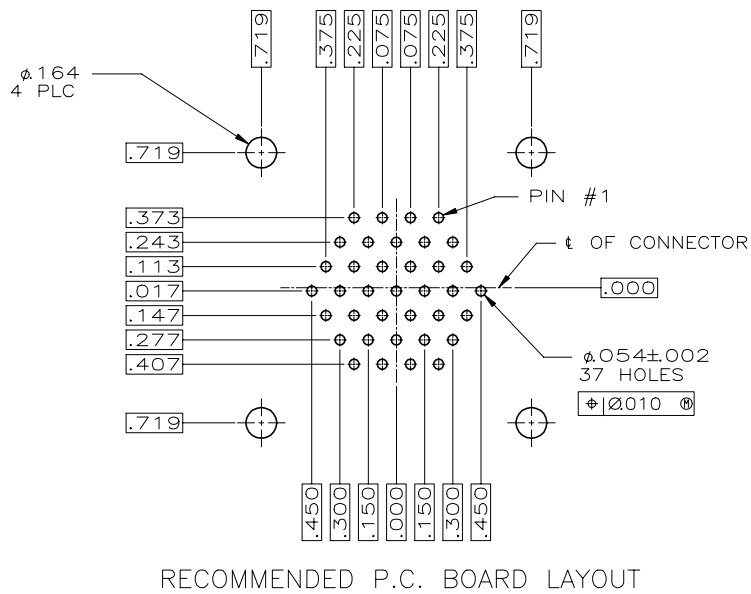


REVISIONS					
#	LTR	DESCRIPTION	DATE	BY	APP'D
AF5		REVISED PER ECO-16-004800	12SEP2016	NK	MZ
AG		REVISED PER ECO-17-004657	05APR2017	RS	MZ
AH		REVISED PER ECO-19-014836	23OCT2019	RS	MZ
AJ		REVISED PER ECO-20-011431	28AUG2020	SG	MZ



REV	DESCRIPTION	DATE	BY	APP'D	REV	DESCRIPTION	DATE	BY	APP'D
1	NO	YES	NO	—	.220	3-206934-0			
2	OBSOLETE	NO	YES	YES	—	.170	2-206934-9		
3	OBSOLETE	NO	YES	NO	—	.413	2-206934-8		
4	PRELIMINARY	NO	YES	NO	—	.257	2-206934-7		
5	OBSOLETE	NO	YES	YES	—	.119	2-206934-6		
6	OBSOLETE	NO	NO	NO	.150±.003	.240	2-206934-5		
7	OBSOLETE	NO	NO	NO	.150±.003	.220	2-206934-3		
8	OBSOLETE	NO	NO	YES	.150±.003	.119	2-206934-2		
9	OBSOLETE	NO	YES	YES	—	.618	2-206934-0		
10	OBSOLETE	NO	NO	NO	.150±.003	.618	1-206934-9		
11	OBSOLETE	NO	NO	NO	.150±.003	.429	1-206934-8		
12	OBSOLETE	NO	YES	YES	—	.119	1-206934-7		
13	OBSOLETE	NO	NO	YES	.150±.003	.429	1-206934-5		
14	OBSOLETE	NO	YES	NO	—	.618	1-206934-4		
15	OBSOLETE	NO	YES	NO	—	.220	1-206934-3		
16	OBSOLETE	NO	NO	NO	.150±.003	.429	1-206934-2		
17	OBSOLETE	NO	NO	NO	.150±.003	.220	1-206934-1		
18	OBSOLETE	YES	NO	YES	—	.119	1-206934-0		
19	OBSOLETE	YES	YES	YES	—	.119	206934-9		
20	OBSOLETE	NO	NO	NO	.150±.003	.618	206934-7		
21	OBSOLETE	NO	NO	NO	.150±.003	.429	206934-6		
22	OBSOLETE	NO	NO	NO	.150±.003	.119	206934-5		
23	OBSOLETE	NO	YES	NO	—	.220	206934-4		
24	OBSOLETE	NO	NO	NO	.158±.001	.618	206934-3		
25	OBSOLETE	NO	NO	NO	.158±.001	.429	206934-2		
26	OBSOLETE	NO	NO	NO	.150±.003	.220	206934-1		
27	CONTACT FINISH	M3 INSERTS	4-40 INSERTS	PERIPHERAL SEAL	B	A	PART NUMBER		

THIS DRAWING IS A CONTROLLED DOCUMENT.		DWG: J.GALLUCCI 5-30-91		CHK: W.G.LENKER 4-14-92		APP'D: K.BEAVER 4-14-92		NAME: K.BEAVER		TE Connectivity	
DIMENSIONS: INCHES		TOLERANCES UNLESS OTHERWISE SPECIFIED:		PRODUCT SPEC: 108-10024		APPLICATION SPEC:		SIZE: A1		CAGE CODE: 00779	
MATERIAL: SEE CALLOUT		CONTACT: 2		WEIGHT: —		SCALE: 2:1		SHEET: 1 OF 1		REV: AJ	



- CONNECTOR WILL ACCEPT POSTED TYPE III+ PIN CONTACTS.
- CONTACT BODY: SELECT GOLD OVER NICKEL. CONTACT POST: TIN-LEAD PER MIL-T-10727 OVER COPPER PER MIL-C-14550A.
- RECOMMENDED PC BOARD HOLE SIZE FOR CONTACT POST: 1.02±0.08[.040±.003] DIA.
- CONTACT BODY: SELECT GOLD OVER NICKEL. CONTACT POST: TIN OVER NICKEL.
- POSITIONS LOADED WITH CONTACTS: 1-4, 10-17, 19-22, 24, 25, 29, 30, 32, 33.
- POSITIONS LOADED WITH CONTACTS: 1-20, 22-28, 30-37.
- OBSOLETE PARTS: OBSOLETE CIS STREAMLINING PER D.RENAUD/D.SINISI.
- CONTACT BODY: TIN OVER NICKEL. CONTACT POST: TIN OVER NICKEL.
- CONTACT BODY: SELECT GOLD OVER NICKEL. CONTACT POST: TIN/LEAD OVER NICKEL.
- CONTACT BODY: TIN/LEAD OVER NICKEL. CONTACT POST: TIN/LEAD OVER NICKEL.

单击下面可查看定价，库存，交付和生命周期等信息

[>>TE Connectivity\(泰科\)](#)