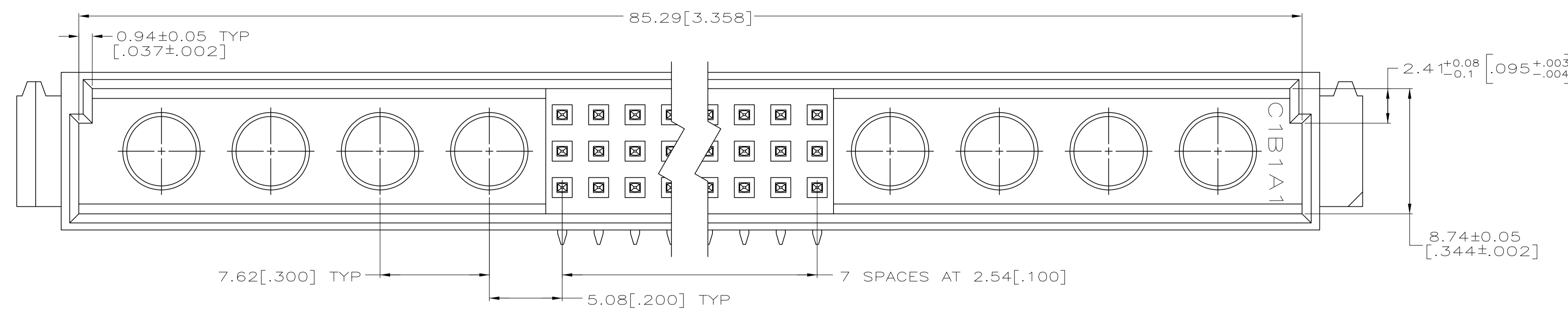
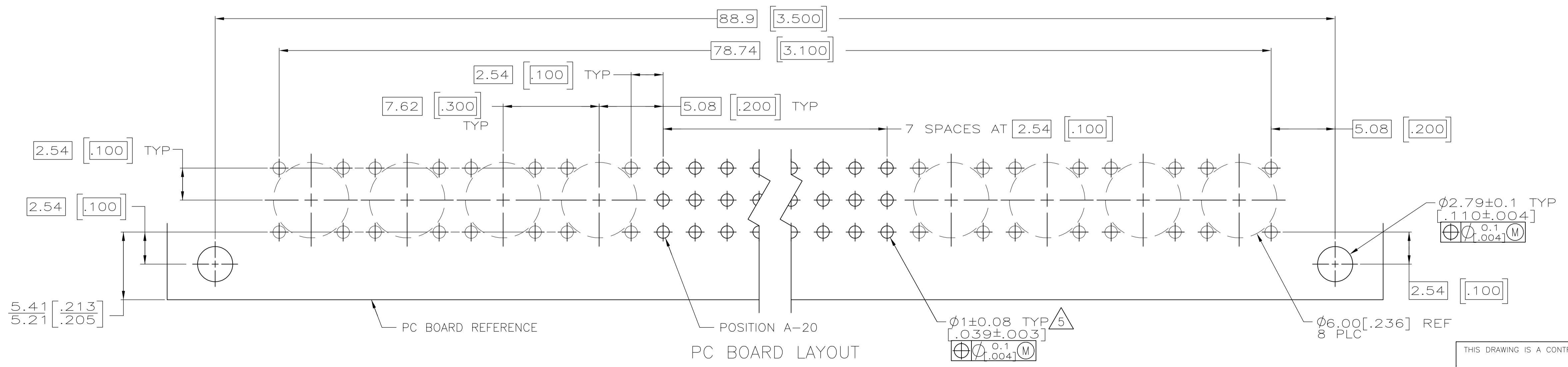
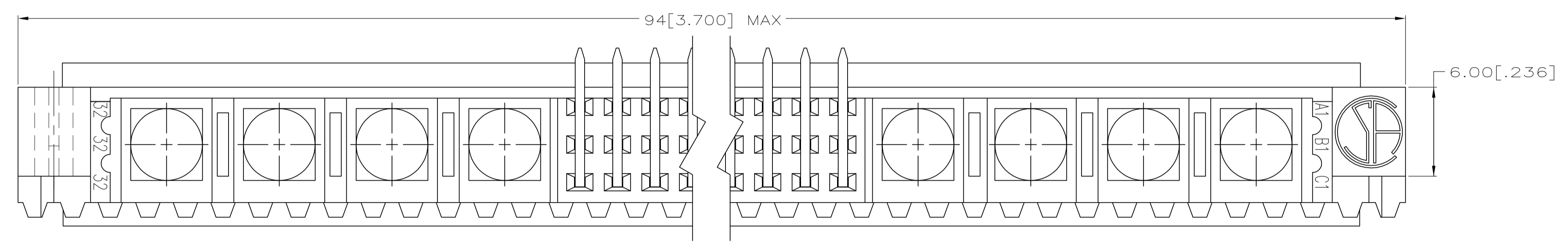
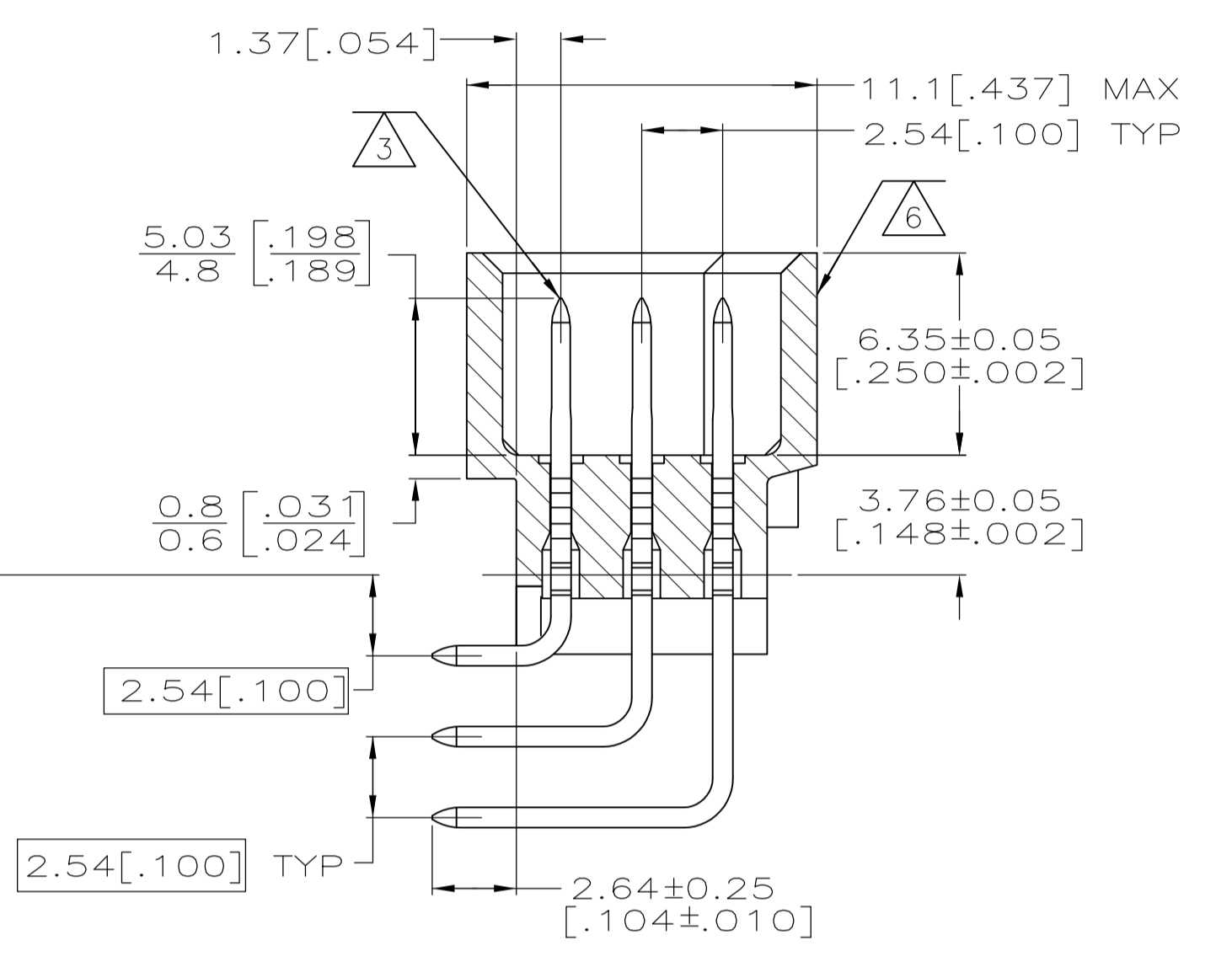
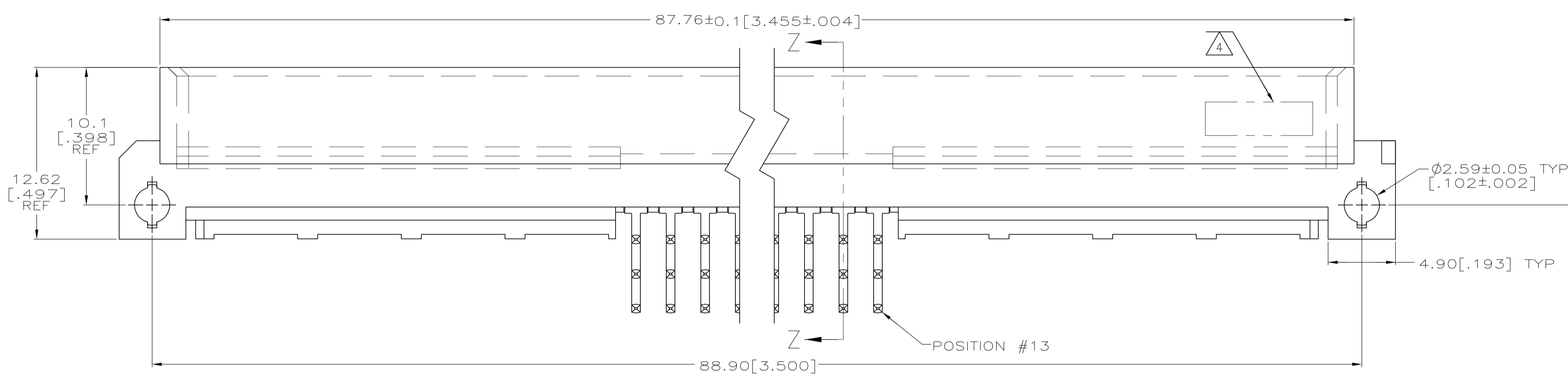


LOC		DIST		REVISIONS			
AD	25	F	LTR	DESCRIPTION	DATE	DWN	APVD
		01		REVISED PER ECO-08-013375	09JUN08	DH	DB



- 1 HOUSING MATERIAL: GLASS-FILLED POLYMER.
- 2 POST MATERIAL: COPPER ALLOY.
- 3 POST FINISH: DIN 41612 CLASS 2 IN CONTACT AREA. TIN PLATE ON POSTS.
- 4 PART NUMBER AND DATE CODE IN THIS APPROXIMATE AREA.
- 5 RECOMMENDED HOLE SIZE FOR MANUAL APPLICATION OF CONNECTOR ONTO PC BOARD.
- 6 MARKING ON THIS SIDE.



5148414-5
PART NUMBER

THIS DRAWING IS A CONTROLLED DOCUMENT.		DIN J. POLIGNONE 18APR08	Tyco Electronics Corporation Harrisburg, PA 17105-3608
DIMENSIONS: mm [INCHES]		CHK A. SHARPE 18APR08	
TOLERANCES UNLESS OTHERWISE SPECIFIED:		APVD A. SHARPE 18APR08	NAME ASSEMBLY, PIN, RIGHT ANGLE, TYPE M, EUROCARD, 24+8, SOLDER, 2.64[.104]
0 PLC ± -		PRODUCT SPEC	
1 PLC ± -		APPLICATION SPEC	SIZE A1
2 PLC ± 0.13[.005]		WEIGHT	CAGE CODE 00779
3 PLC ± -		CUSTOMER DRAWING	DRAWING NO. 5148414
4 PLC ± -		SCALE 5:1	SHEET 1 OF 1
ANGLES ± -		REV 01	

单击下面可查看定价，库存，交付和生命周期等信息

[>>TE Connectivity\(泰科\)](#)