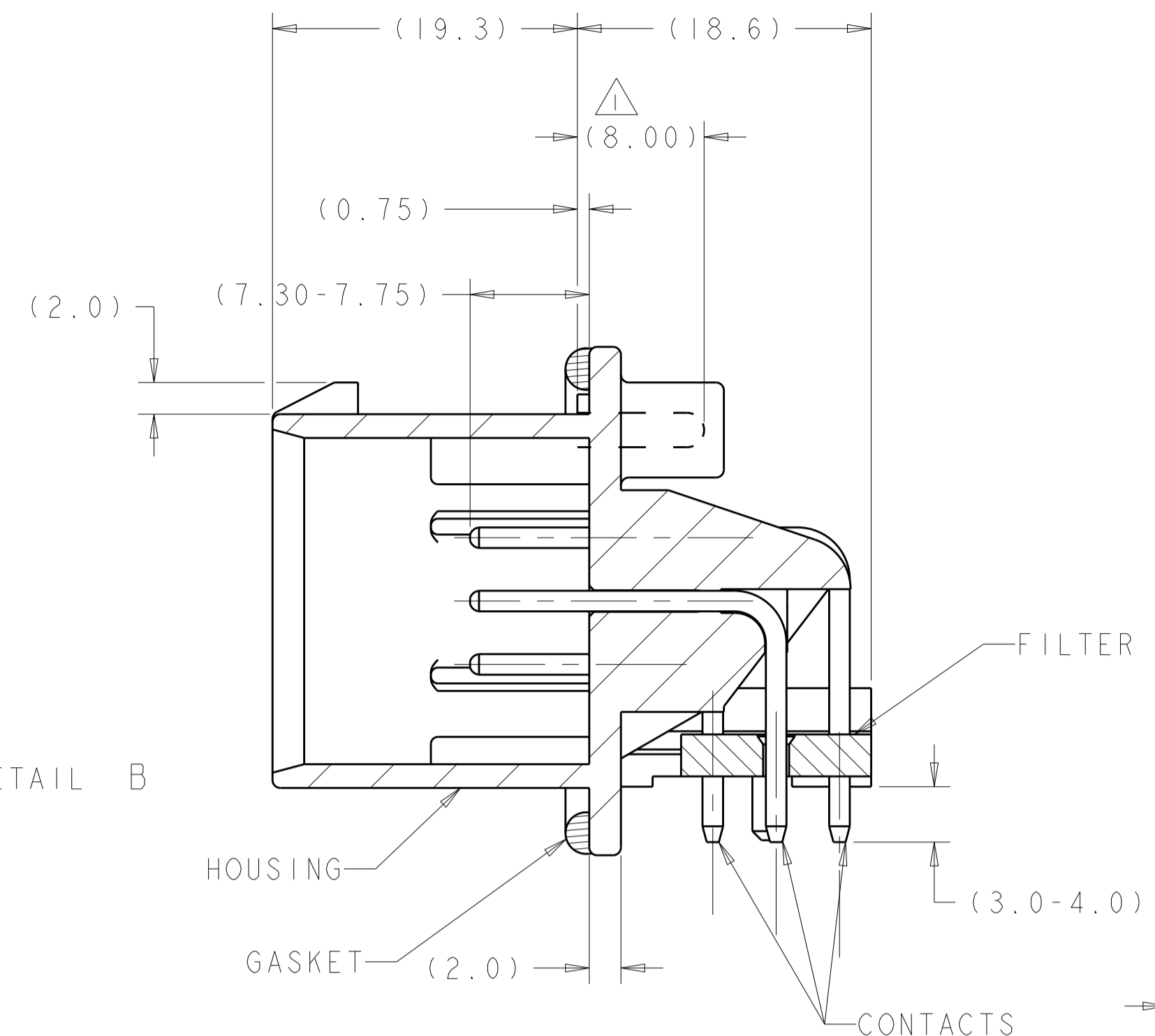
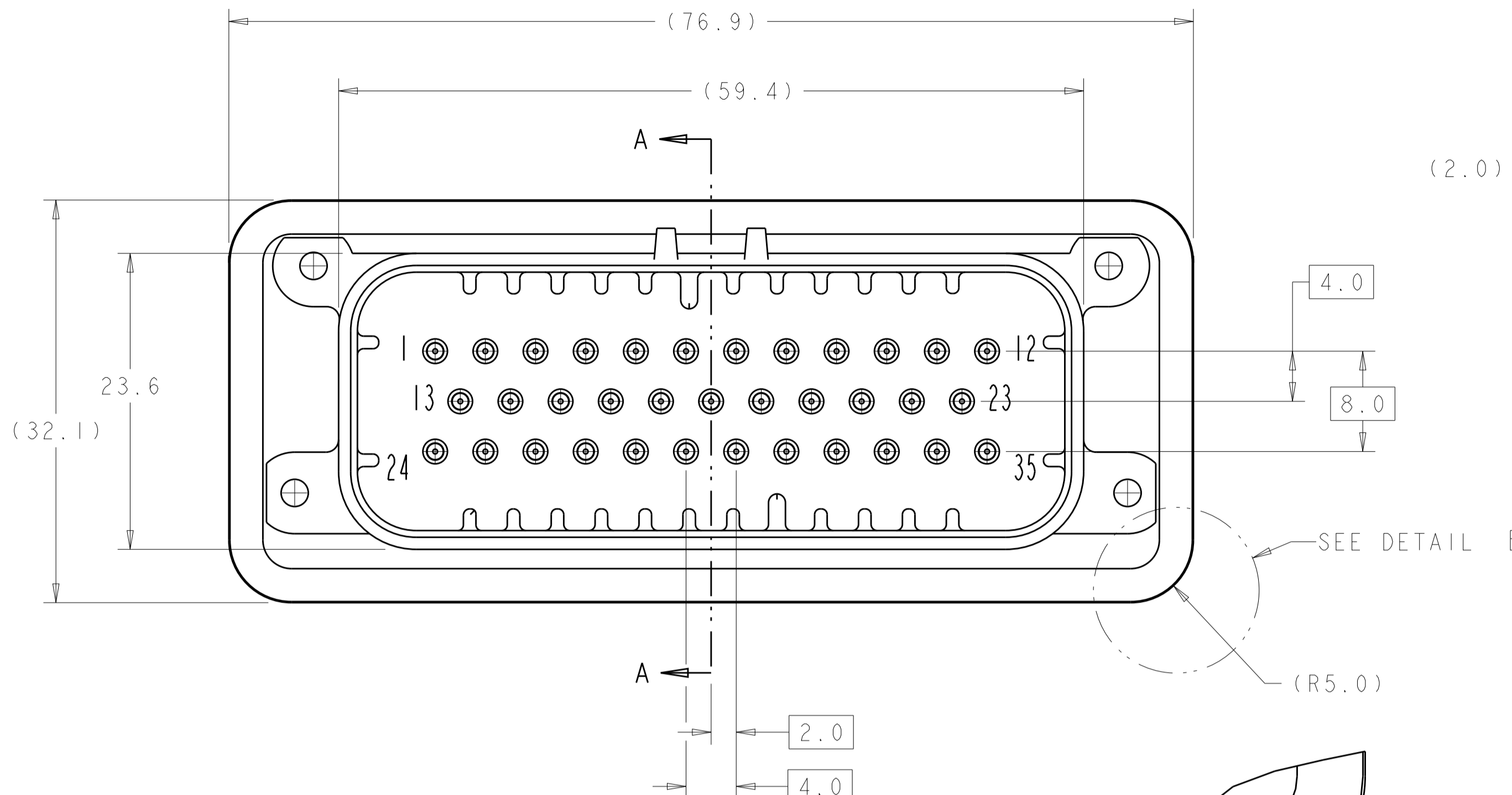
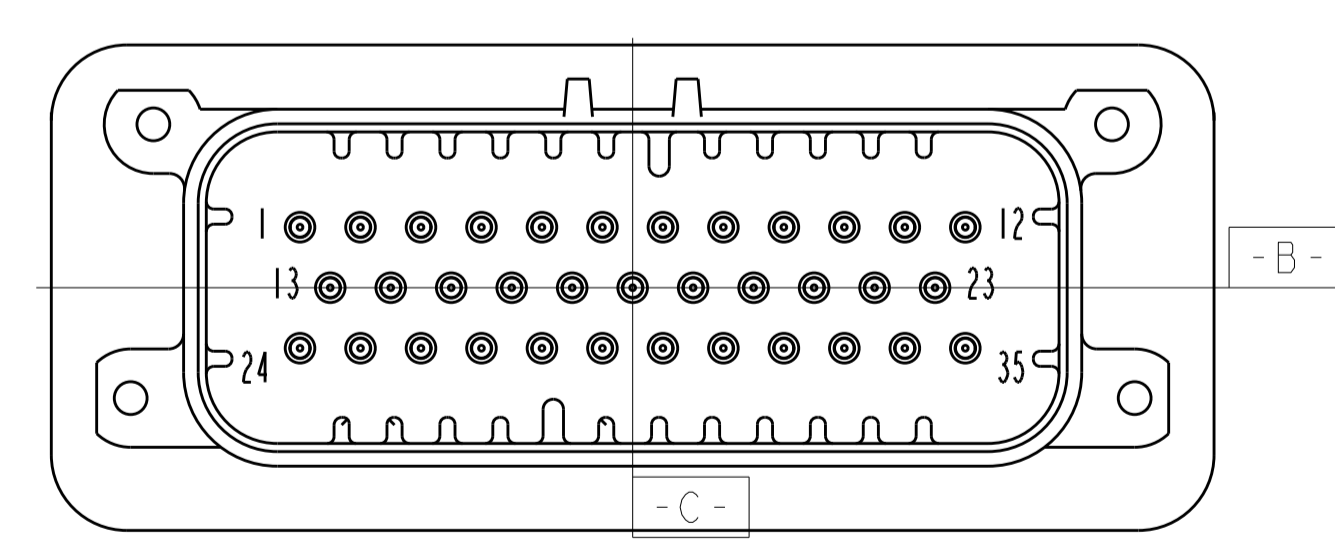
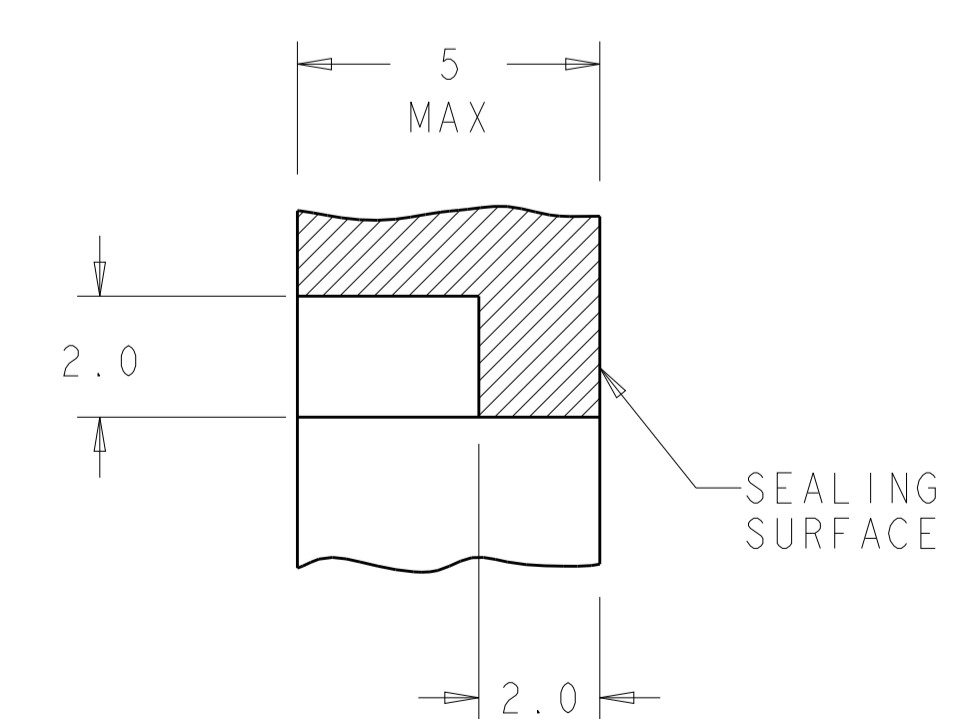
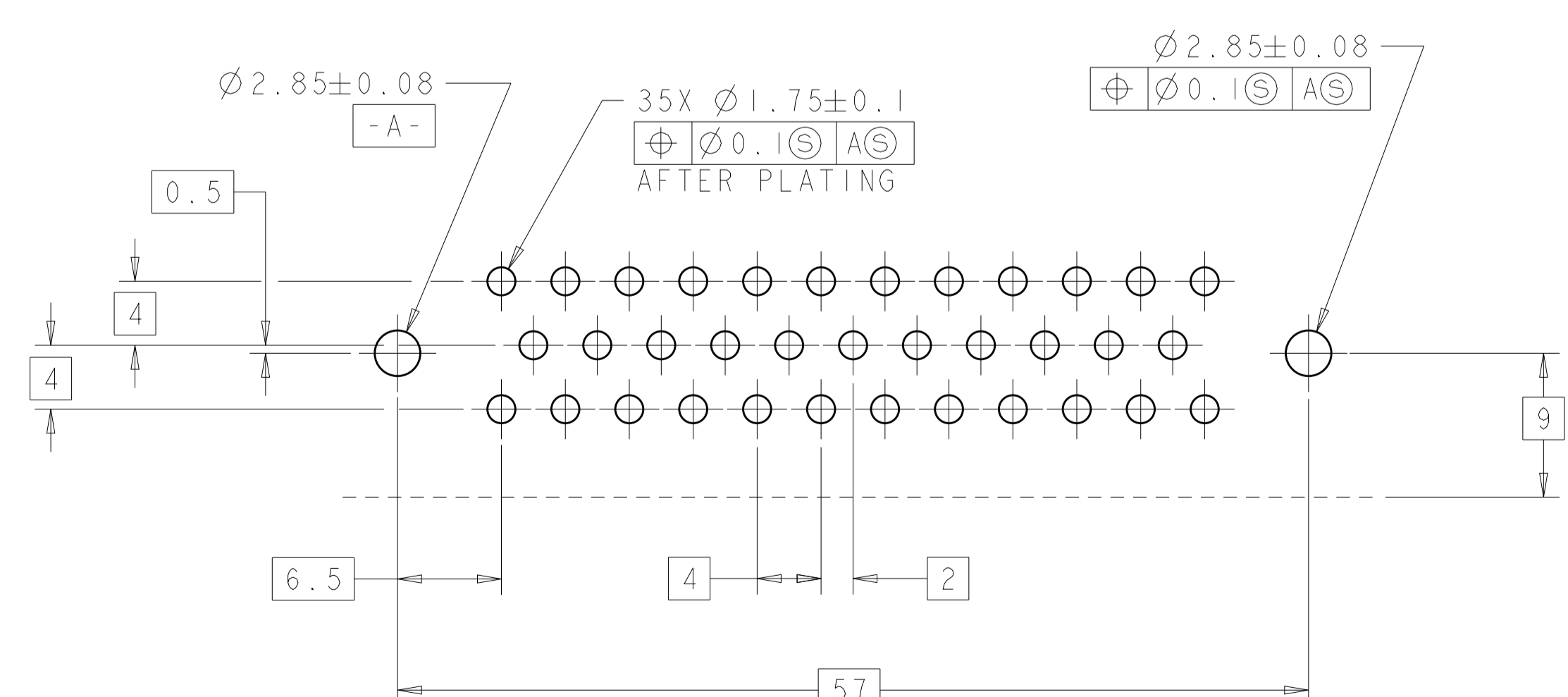
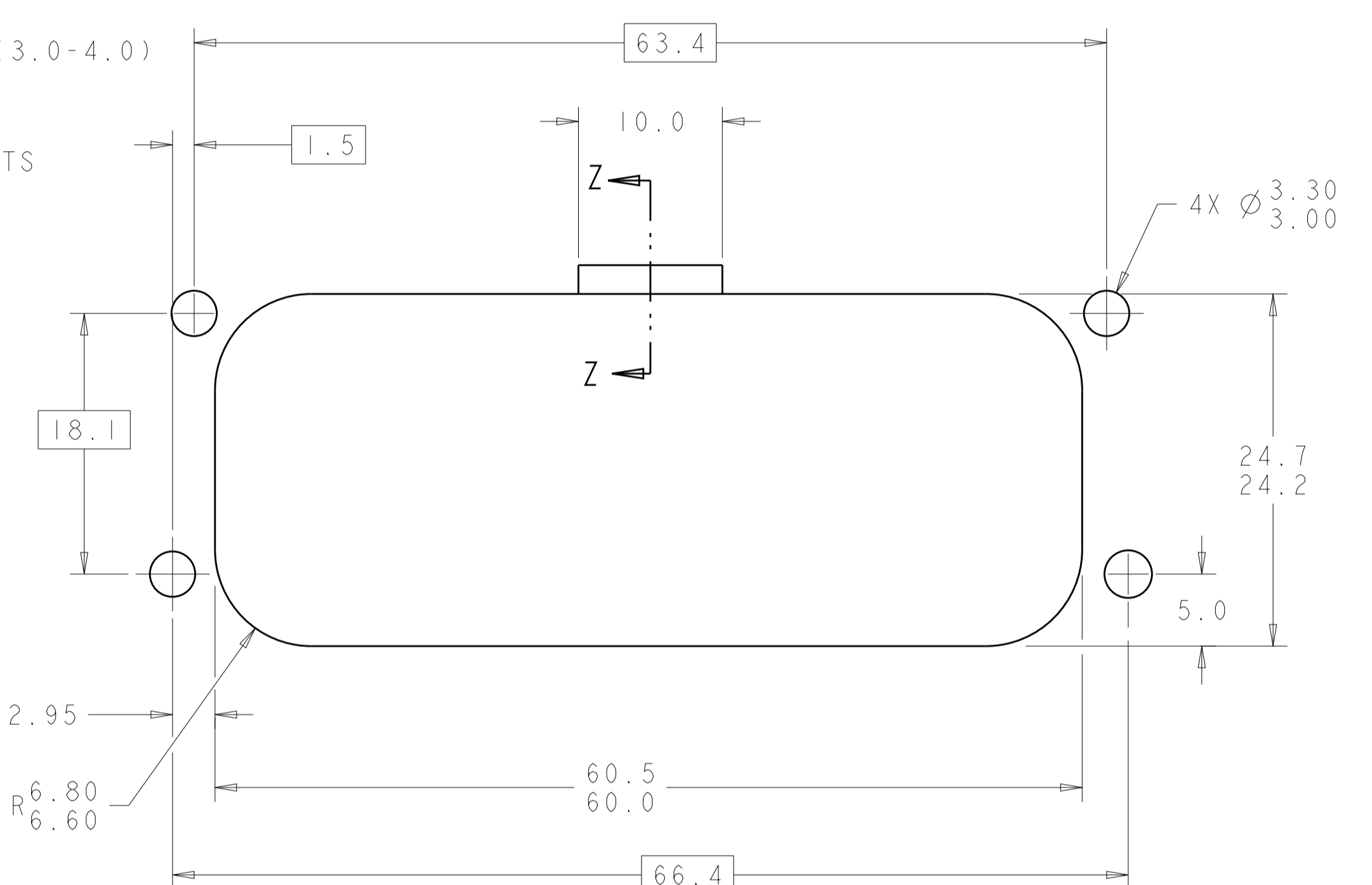
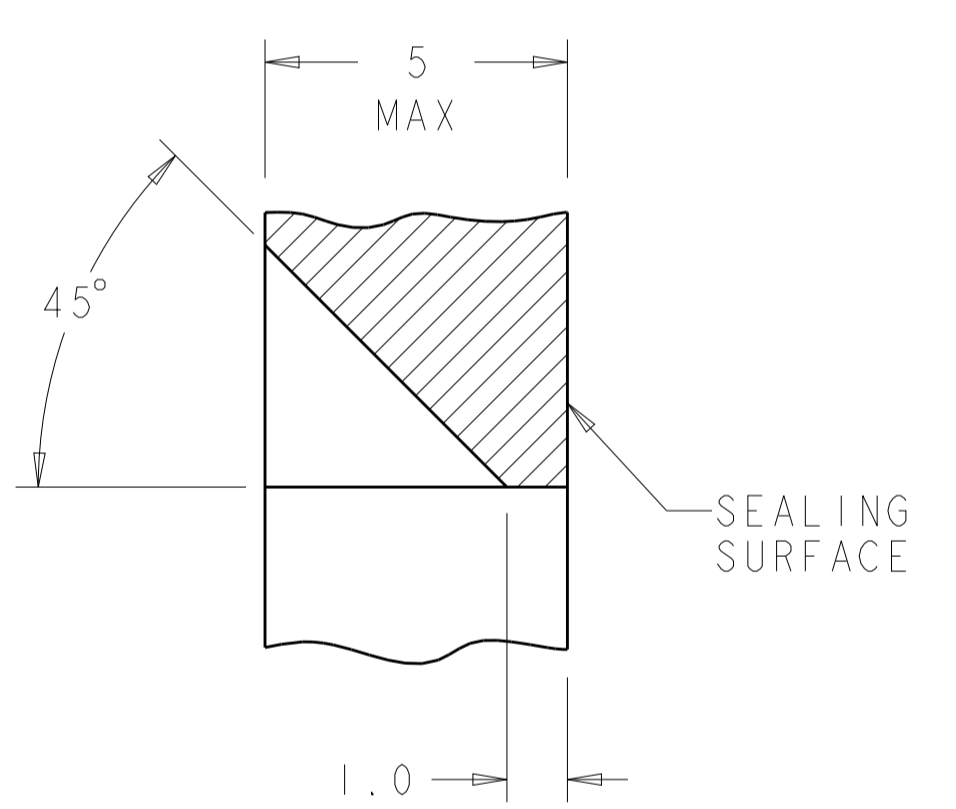
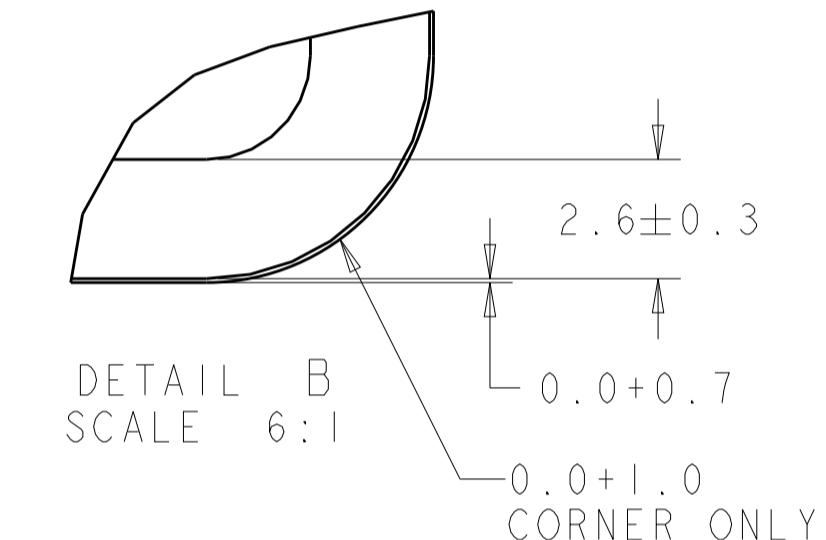
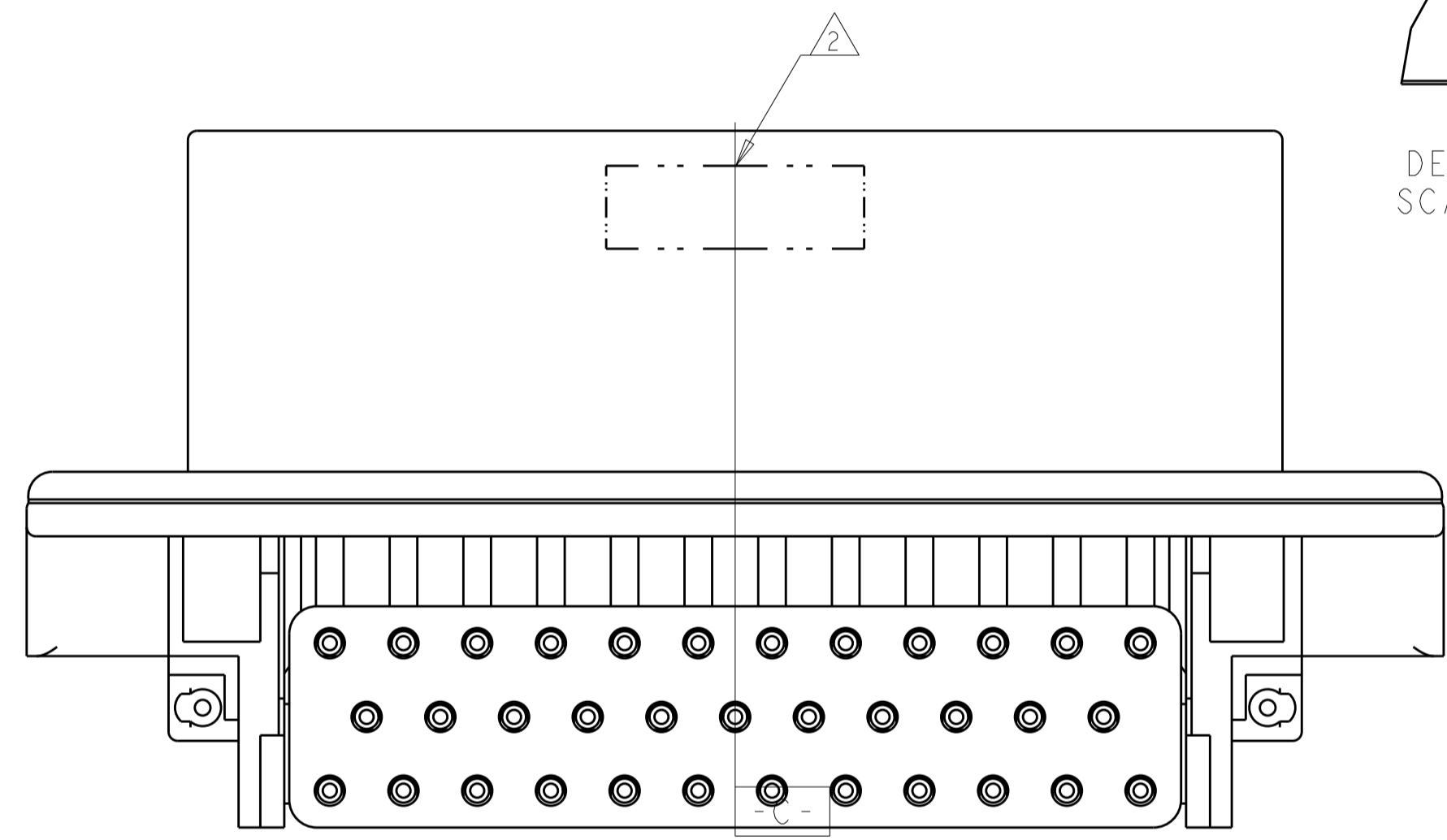


LOC	DIST	REVISIONS					
		P	LTN	DESCRIPTION	DATE	DWN	APVD
GE	00	A1		REV PER EC 0K40-0381-03	19JUN2003	RGV	MPT
		A2		REVISED PER ECO-12-009257	29MAY2012	DD	DS
		A3		OBS PER ECO-19-012540	20AUG2019	DS	DS



- △ ACCEPTS #4 SELF TAPPING THREAD FORMING SCREW OR METRIC EQUIVALENT TO BE DRIVEN AT 0.6±0.2 N-M.
- △ DATE CODE IN THIS LOCATION USING 5 DIGIT CODE FIRST 2 DIGITS = YEAR, SECOND 2 DIGITS = WEEK LAST DIGIT = DAY
- △ HOUSING COLORS ARE MECHANICALLY KEYED TO MATE ONLY WITH IDENTICALLY COLORED PLUG ASSEMBLIES.
- △ MATERIAL: HEADER HOUSING - GLASS FILLED PBT
PINS - TIN OR GOLD PLATED BRASS
GASKET - SILSCONE
FILTER - PBT
- 5. HEADER MATES TO PLUG ASSEMBLY 776164 WHICH USES REELED TERMINAL 770520 OR LOOSE PIECE TERMINAL 770854



OBSOLETE

FINISH	HOUSING COLOR	PART NUMBER
DURAGOLD	NATURAL (WHITE)	1-776339-2
DURAGOLD	BLACK	1-776339-1

1-776339-1 AS SHOWN

STE TE Connectivity

THIS DRAWING IS A CONTROLLED DOCUMENT. DWN: R. VESTAL 31DEC2002, CHK: D. CROWE 31DEC2002, APVD: D. CROWE 31DEC2002

NAME: HEADER ASSEMBLY, 35 POSITION, RIGHT ANGLE, HIGH TEMPERATURE, AMPSEAL

PRODUCT SPEC: 108-1329, APPLICATION SPEC: 114-16016, WEIGHT: A100779, CAGE CODE: 776339

SCALE: 2:1, SHEET: 1 OF 1, REV: A3

单击下面可查看定价，库存，交付和生命周期等信息

[>>TE Connectivity\(泰科\)](#)