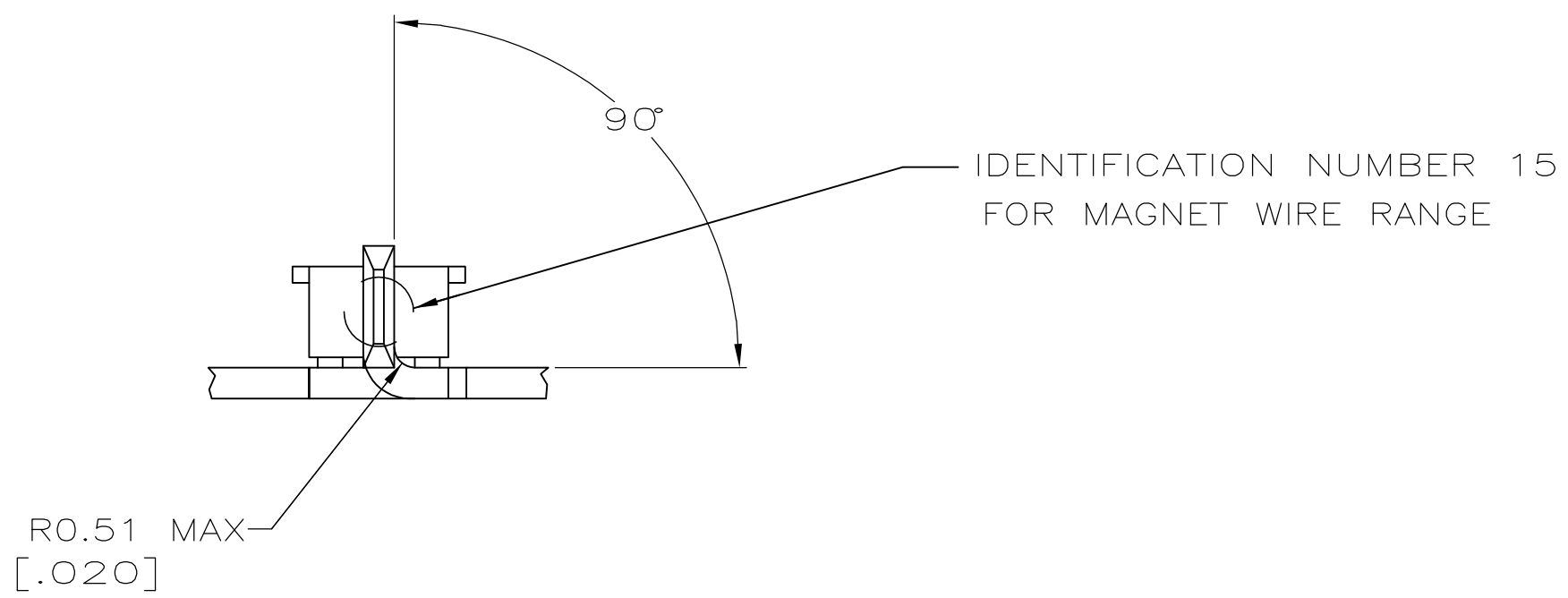
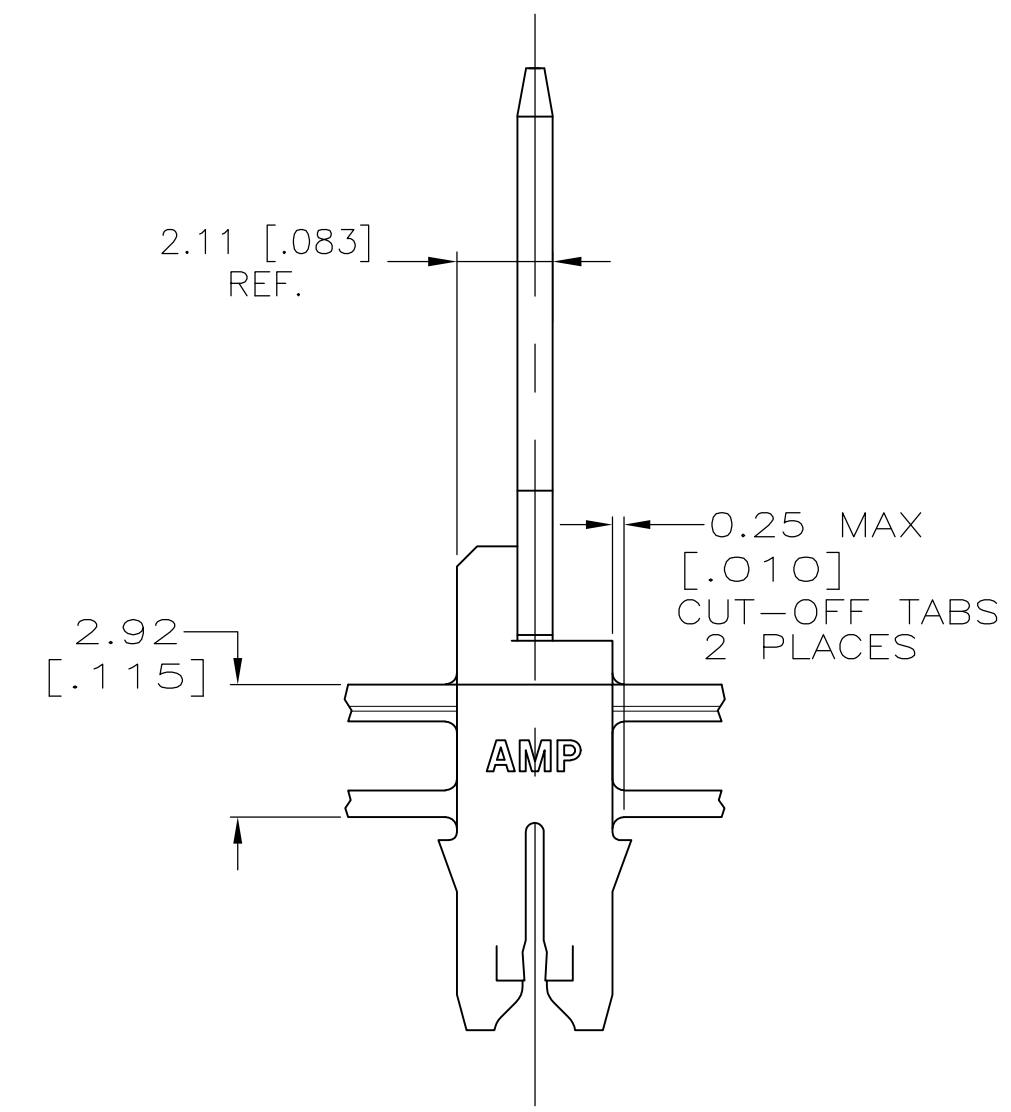
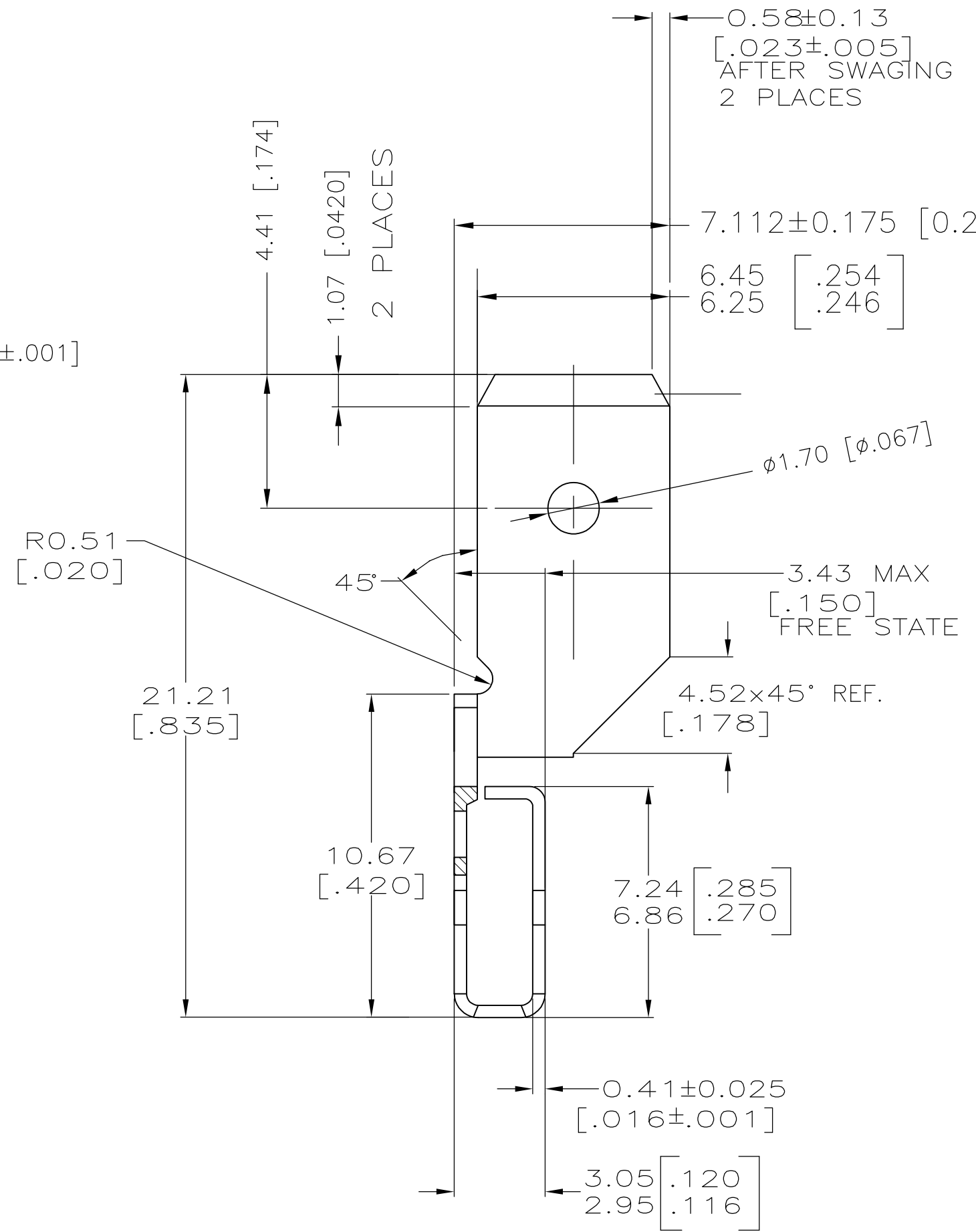
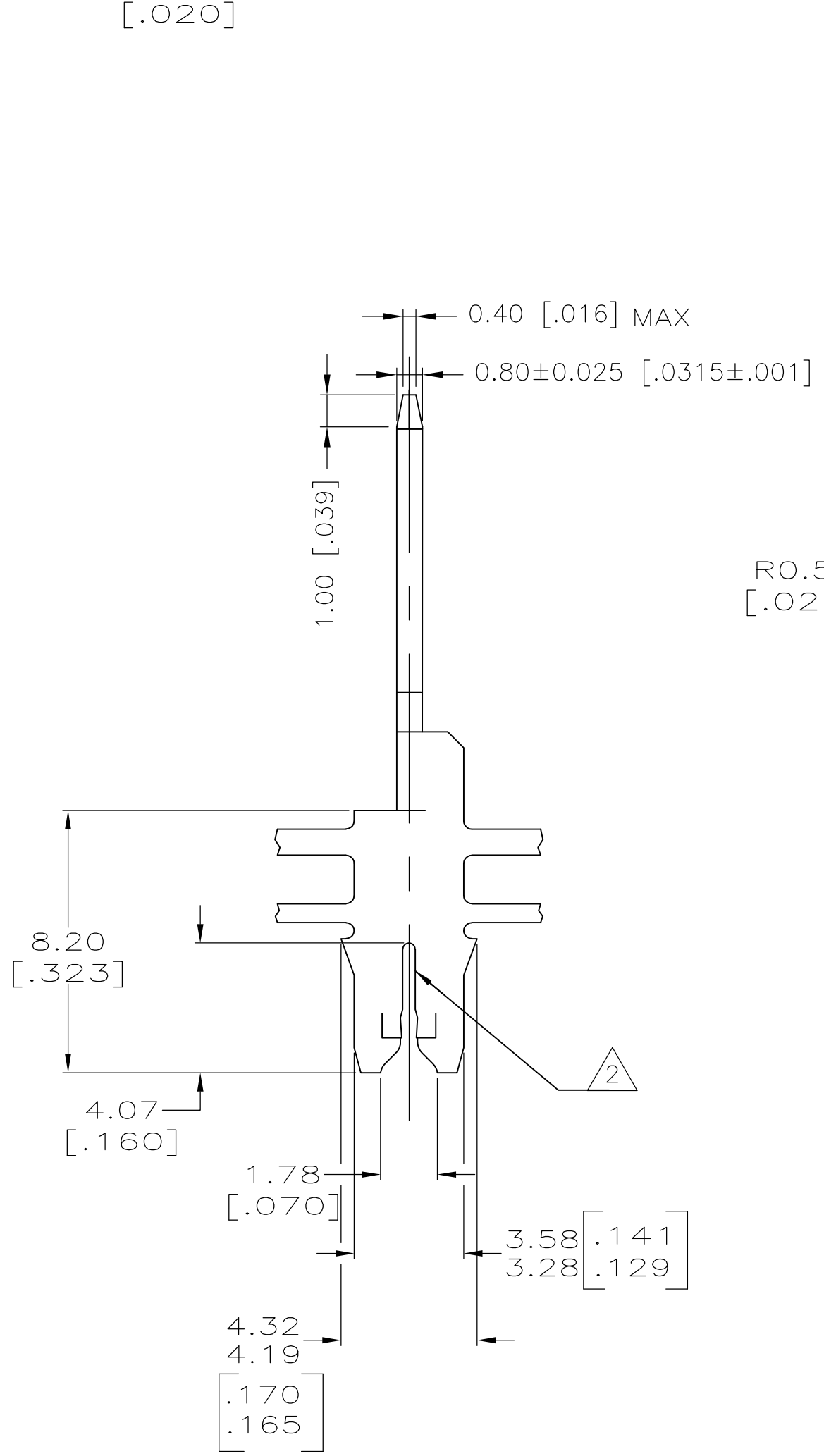


THIS DRAWING IS UNPUBLISHED. RELEASED FOR PUBLICATION
 © COPYRIGHT - By - ALL RIGHTS RESERVED.

LOC		DIST		REVISIONS			
P	LTR	DESCRIPTION		DATE	DWN	APVD	
AF	50	A1	ECR-14-012274	14AUG14	PKS	RRP	



- 1 CONTINUOUS STRIP ON REELS WITH TERMINALS LOCATED ON 8.38±0.076 [.330±.003] CENTERS
- 2 SLOT ACCEPTS SINGLE OR DOUBLE 0.7-0.9mm DIA [#21-19] AWG ALUMINUM MAGNET WIRE
- 3 REFER TO DWG 87-1039-3 FOR ADDITIONAL CAVITY INFORMATION (MODIFIED DEPTH)
- 4 PRE-PRODUCTION - FASR REQUIRED
- 5 0.0010 [.000040] MIN TIN PLATE



THIS DRAWING IS A CONTROLLED DOCUMENT.		DWN	R.GRZYBOWSKI	24JUN97	FINISH		WELD	2232683-1			
DIMENSIONS: mm		CHK	M.S.FEHER	24JUN97	SPLICE		PART NUMBER				
TOLERANCES UNLESS OTHERWISE SPECIFIED:		APVD	N.E.NEFF	24JUN97	NAME		TE Connectivity				
0 PLC	± -	PRODUCT SPEC	108-2012		TAB, 6.30 [.250] CONNECTING, MAG-MATE		-				
1 PLC	± -	APPLICATION SPEC	114-2046		SIZE	A2	CAGE CODE	00779	DRAWING NO	C=2232683	
2 PLC	± 0.25 [.010]	FINISH	SEE TABLE		SCALE	6:1	SHEET	1 of 1	REV	A1	
3 PLC	± -	MATERIAL		PRE-MILLED BRASS	CUSTOMER DRAWING		RESTRICTED TO				
4 PLC	± -	WEIGHT		-	SCALE		6:1	SHEET	1 of 1	REV	A1
ANGLES	± 5°	FINISH		SEE TABLE	SCALE		6:1	SHEET	1 of 1	REV	A1

单击下面可查看定价，库存，交付和生命周期等信息

[>>TE Connectivity\(泰科\)](#)