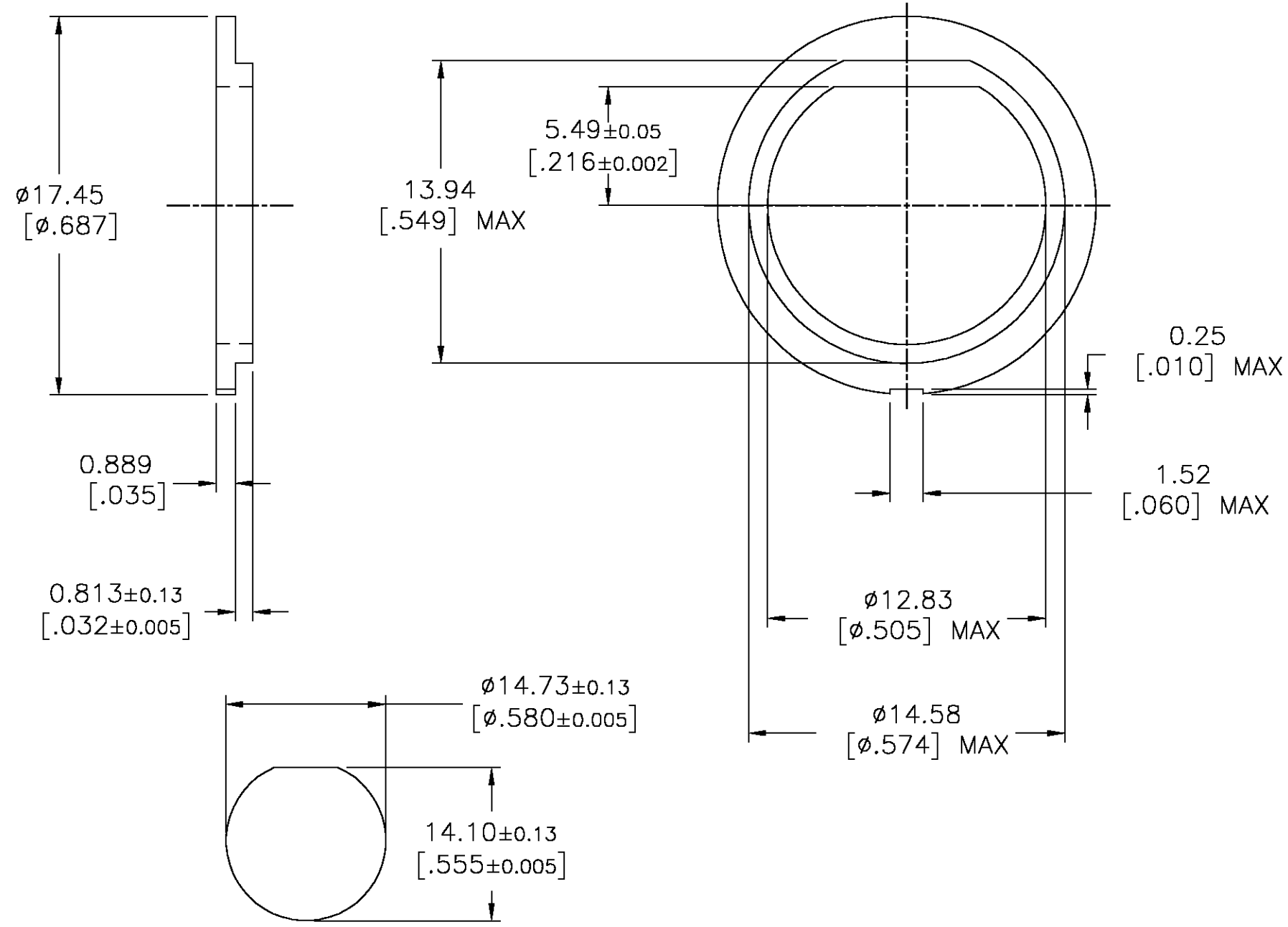


THIS DRAWING IS UNPUBLISHED. RELEASED FOR PUBLICATION
 © COPYRIGHT BY TYCO ELECTRONICS CORPORATION. ALL RIGHTS RESERVED.

LOC	DIST	REVISIONS					
AJ	16	P	LTR	DESCRIPTION	DATE	DWN	APVD
		J		REV PER OS14-0255-04	05/25/04	KW	KW



NOTES:
 1. SEE INSTRUCTION SHEET 408-1576

RECOMMENDED PANEL CUT-OUT
 SCALE 2 : 1

330620
 PART NO.

THIS DRAWING IS A CONTROLLED DOCUMENT.		DWN G. VIERA 01MAY2002	Tyco Electronics Corporation Middletown, PA 17057	
DIMENSIONS: mm		CHK K. WEIDNER 05/01/02		
TOLERANCES UNLESS OTHERWISE SPECIFIED:		APVD K. WEIDNER 05/01/02	NAME COAXICON CONNECTOR INSULATING BUSHING	
0 PLC ± - 1 PLC ± - 2 PLC ± - 3 PLC ± 0.20 [.008] 4 PLC ± - ANGLES ± -		PRODUCT SPEC -	RESTRICTED TO -	
MATERIAL NYLON MIL-M-20693 (TYPE 1)		FINISH -	APPLICATION SPEC -	SIZE A3
		WEIGHT .005 OZ.	CAGE CODE 00779	DRAWING NO C-330620
CUSTOMER DRAWING			SCALE 4:1	SHEET 1 OF 1
			REV J	

单击下面可查看定价，库存，交付和生命周期等信息

[>>TE Connectivity\(泰科\)](#)