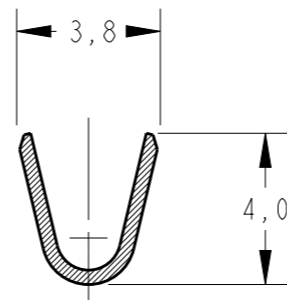
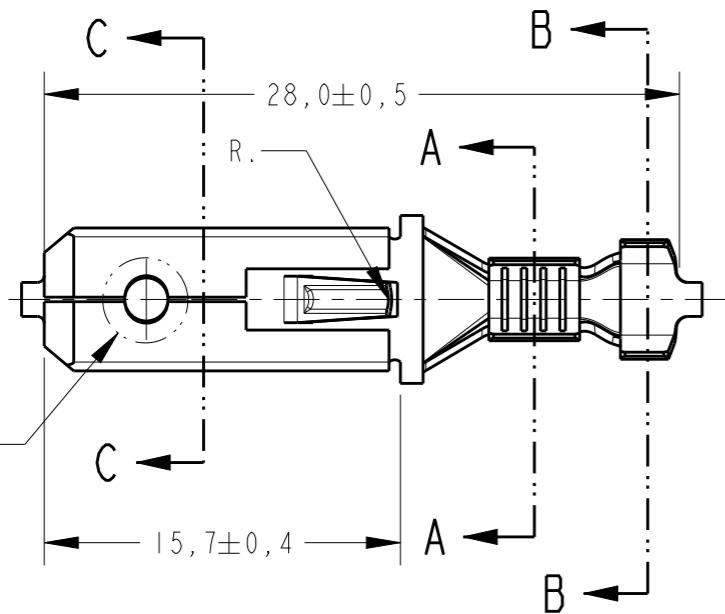


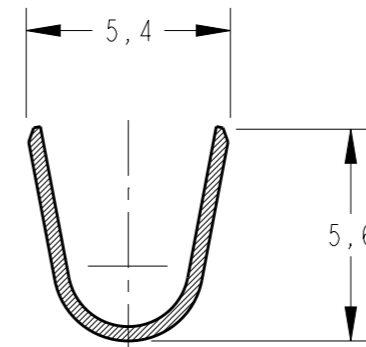
LOC AP DIST -

REVISIONS

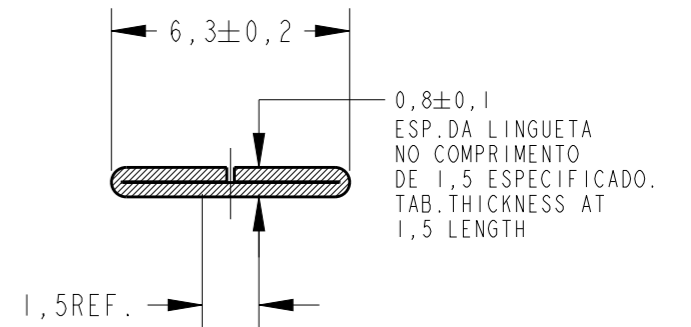
P	LTR	DESCRIPTION	DATE	DWN	APVD
G4		REDRAW BY CAD ECO-12-014149	20AUG2012	NCL	DAO
G5		REVISED BY ECO 16-003723	29JUN2016	HC	WLS



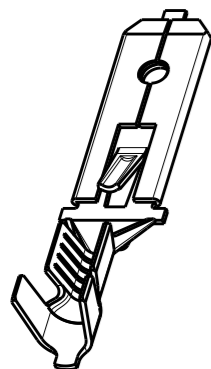
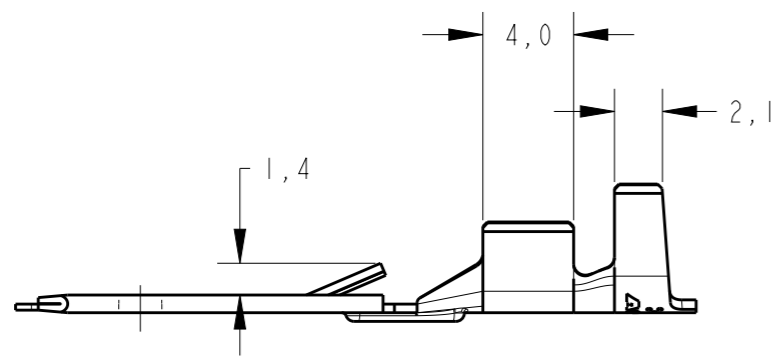
SECTION A-A SCALE 5:1



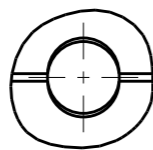
SECTION B-B SCALE 5:1



SECTION C-C SCALE 5:1



PERSPECTIVE VIEW SCALE 2:1



DETAIL Y SCALE 5:1 CONSTRUÇÃO OPCIONAL OPTIONAL CONSTRUCTION

INS. RANGE	WIRE RANGE	LOOSE PIECE	FINISH	MATERIAL	PART NUMBER
∅ 2,7-3,7mm	1,0-2,5mm <sup>2</sup>				
<b>OBSOLETE</b>	880654 - 8	PRATEADO/SILVER PLATED	BRONZE FOSF./PHOSP BRONZE	880636 - 8	
<b>OBSOLETE</b>	880654 - 7	PRATEADO/SILVER PLATED	LATÃO / BRASS	880636 - 7	
<b>OBSOLETE</b>	880654 - 6	PRÉ ESTANHADO/PRE-TIN	BRONZE FOSF./PHOSP BRONZE	880636 - 6	
<b>OBSOLETE</b>	880654 - 5	PRÉ ESTANHADO/PRE-TIN	LATÃO / BRASS	880636 - 5	
<b>OBSOLETE</b>	880654 - 4	ESTANHADO/ELECTRO-TIN	BRONZE FOSF./PHOSP BRONZE	880636 - 4	
<b>OBSOLETE</b>	880654 - 3		BRONZE FOSF./PHOSP BRONZE	880636 - 3	
	880654 - 2	ESTANHADO/ELECTRO-TIN	LATÃO / BRASS	880636 - 2	
	880654 - 1		LATÃO / BRASS	880636 - 1	

THIS DRAWING IS A CONTROLLED DOCUMENT.		DWN NCLAPRESA 13JUL2012	TE Connectivity <b>TERMINAL FASTIN-FASTON .250 TAB</b>		
DIMENSIONS: mm		CHK JRGOLDSCHMIDT 13JUL2012			
TOLERANCES UNLESS OTHERWISE SPECIFIED:		APVD DAOLIVEIRA 13JUL2012			
0 PLC ±- 1 PLC ±0,3 2 PLC ±- 3 PLC ±- 4 PLC ±- ANGLES ±°		PRODUCT SPEC -	RESTRICTED TO -		
MATERIAL SEE TABLE		FINISH SEE TABLE	WEIGHT -	SIZE A3	CAGE CODE 00779
				DRAWING NO C=880636	
				SCALE 3:1	SHEET 1 OF 1
				REV G5	

单击下面可查看定价，库存，交付和生命周期等信息

[>>TE Connectivity\(泰科\)](#)