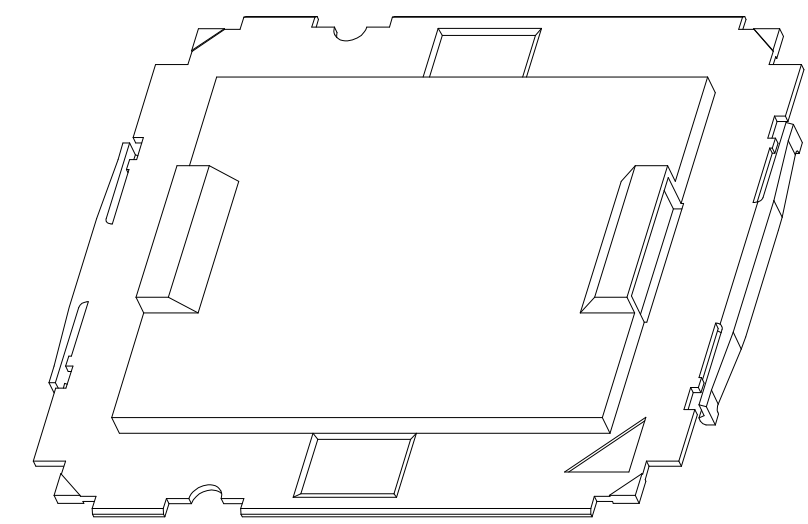
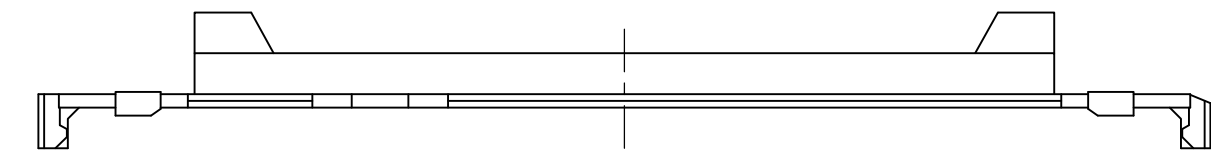
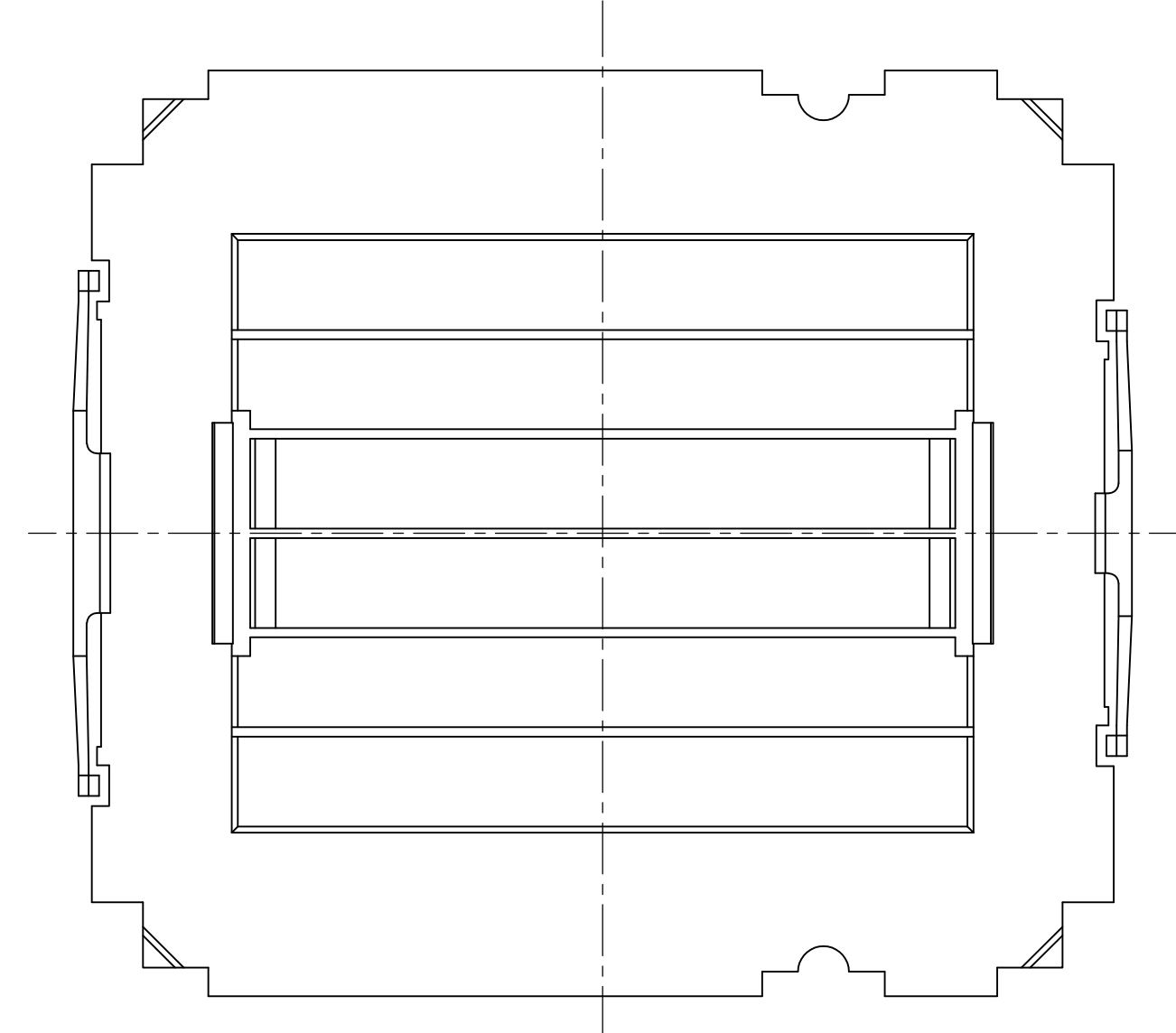
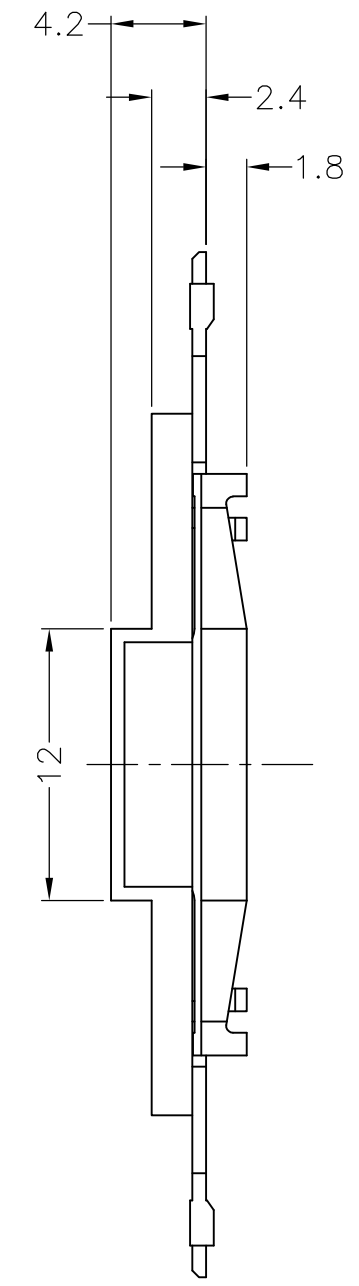
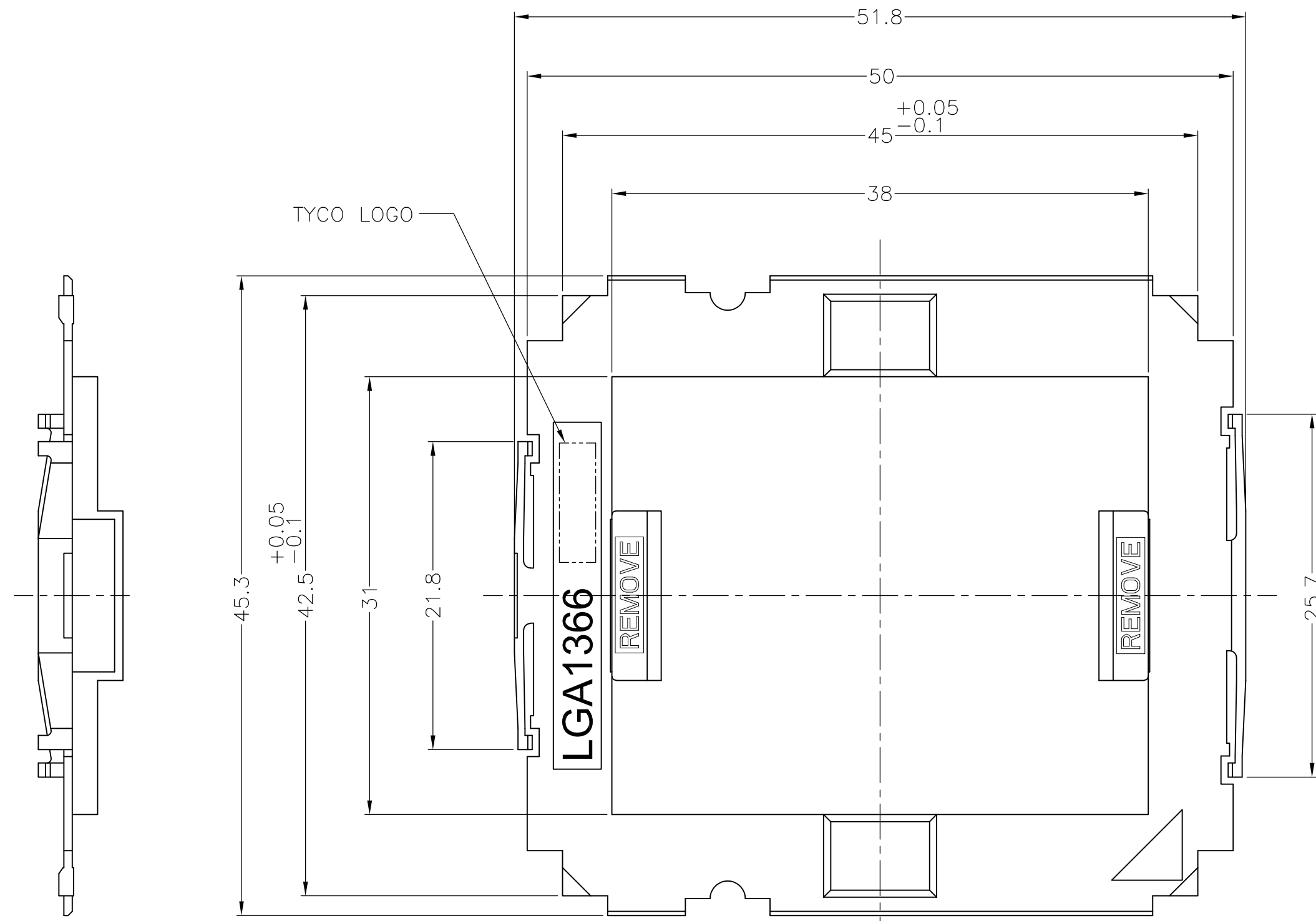


THIS DRAWING IS UNPUBLISHED. RELEASED FOR PUBLICATION
 © COPYRIGHT BY TYCO ELECTRONICS CORPORATION. ALL RIGHTS RESERVED.

LOC	DIST	REVISIONS					
		P	LTR	DESCRIPTION	DATE	DWN	APVD
J	-	A		RELEASED	10OCT'08	J.M	S.H

NOTES

1. MATERIAL : HIGH TEMP, THERMO-PLASTIC, UL94V-0, BLACK



REFERENCE 3D VIEW

P/N: 1-1981374-1 AS SHOWN

THIS DRAWING IS A CONTROLLED DOCUMENT.		DWN J.MIZUSHIMA 10OCT2008	Tyco Electronics Corporation Kawasaki, Japan	
DIMENSIONS: 単位: 精 mm		CHK H.TAGUCHI 10OCT2008	NAME CAP LGA1366	
TOLERANCES UNLESS OTHERWISE SPECIFIED: 一般公差		APVD S.HASHIMOTO 10OCT2008	SIZE A2	CAGE CODE 00779
0 PLC ± 0.3	1 PLC ± 0.3	PRODUCT SPEC 製品規格	DRAWING NO 番号 C=1981374	RESTRICTED TO -
2 PLC ± 0.3	3 PLC ± 0.3	APPLICATION SPEC 取付適用規格	SCALE 尺度 NTS	SHEET 1 of 1
4 PLC ± 0.3	ANGLES ± 3'	FINISH 仕上	WEIGHT 3.5 g	REV A
MATERIAL 材料		CUSTOMER DRAWING		

单击下面可查看定价，库存，交付和生命周期等信息

[>>TE Connectivity\(泰科\)](#)