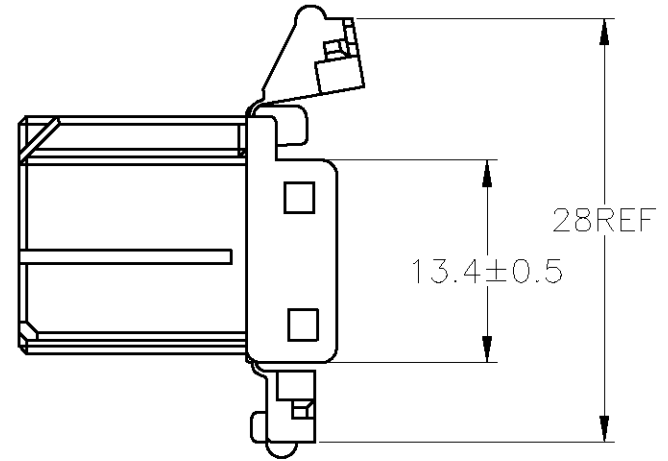
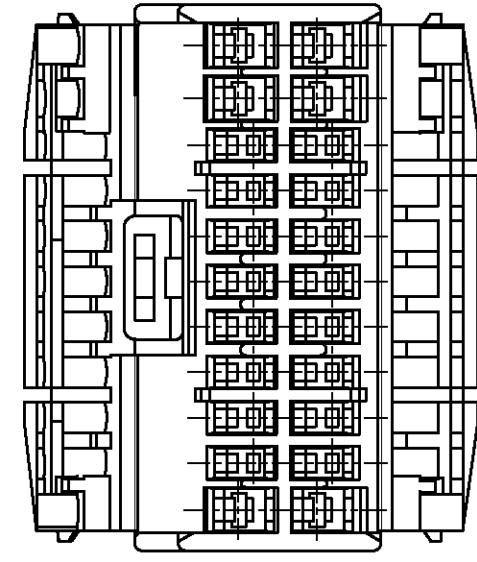
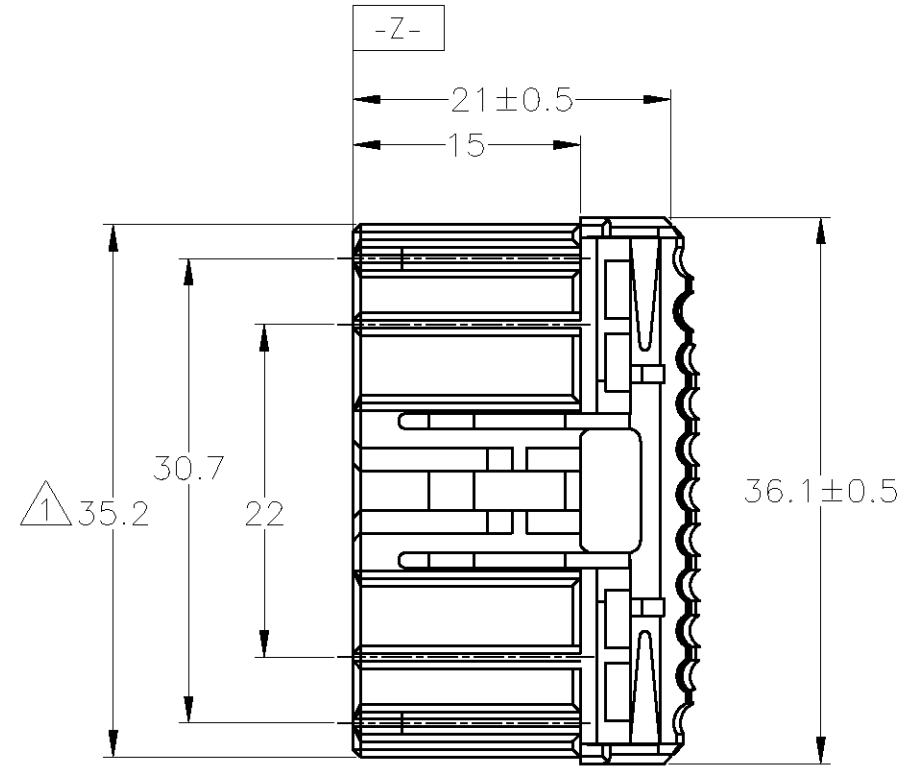
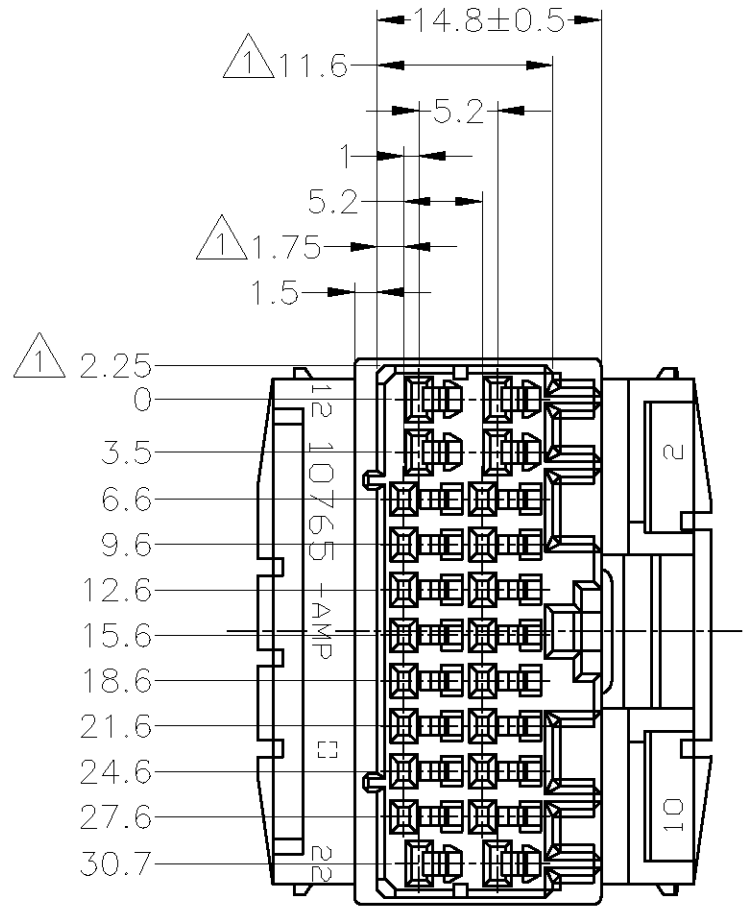


THIS DRAWING IS UNPUBLISHED. RELEASED FOR PUBLICATION
 © COPYRIGHT - By - ALL RIGHTS RESERVED.

LOC	DIST	REVISIONS						
		P	LTR	DESCRIPTION	DATE	DWN	APVD	
J	-		D3	OBSOLETE 6-174515-6	ECR-12-008456	09MAY2012	TS	KB



1. MUST BE KEPT BETWEEN -Z- AND 2mm.
 2. THE MATING CAP HOUSING PART NUMBER ; 174518
 3. APPLIED CONTACT PART NUMBER ; 173631, 173716, 173630, 175094
 4. APPLICABLE PRODUCT SPECIFICATION NUMBER ; 108-5280
1. -Z- 面より 2mm の範囲で測定
 2. 嵌合相手ハウジング型番 ; 174518
 3. 内装するリセプタクルコンタクト型番 ; 173631, 173716, 173630, 175094
 4. 適用製品規格番号 ; 108-5280

OBSOLETE	色 COLOR	PART NUMBER
	黄 YELLOW	174515-7
	淡灰 LIGHT GRAY	6-174515-6
	灰 GRAY	174515-6
	青 BLUE	174515-5
	白 WHITE	174515-1

TOLERANCE UNLESS OTHERWISE SPECIFIED:	
一般公差	
0 < x ≤ 10	: ±0.2
10 < x ≤ 30	: ±0.25
30 < x ≤ 100	: ±0.3
ANGLE ; 角度	: ±3°

THIS DRAWING IS A CONTROLLED DOCUMENT.		DWN T.SHINOHARA 06SEP10		STE TE Connectivity	
DIMENSIONS: mm		CHK K.BETSUI 06SEP10			
TOLERANCES UNLESS OTHERWISE SPECIFIED:		APVD K.BETSUI 06SEP10		NAME	
0 PLC ± -		PRODUCT SPEC		HYBRID I/O CONNECTOR	
1 PLC ± -		SEE NOTE 4		22 POSITION PLUG HOUSING	
2 PLC ± -		APPLICATION SPEC		SIZE CAGE CODE DRAWING NO RESTRICTED TO	
3 PLC ± -		-		A3 00779 C-174515	
4 PLC ± -		WEIGHT -		SCALE 2:1 SHEET 1 OF 1 REV D3	
ANGLES ± -		CUSTOMER DRAWING			
FINISH -					
MATERIAL PBT					

单击下面可查看定价，库存，交付和生命周期等信息

[>>TE Connectivity\(泰科\)](#)