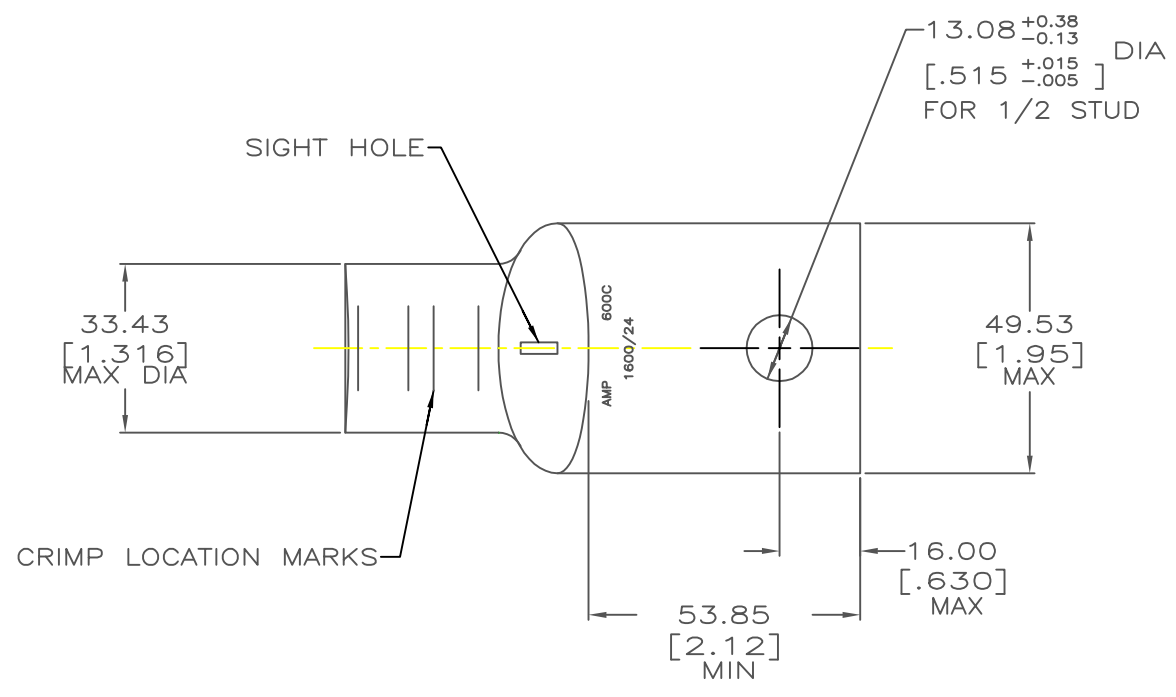
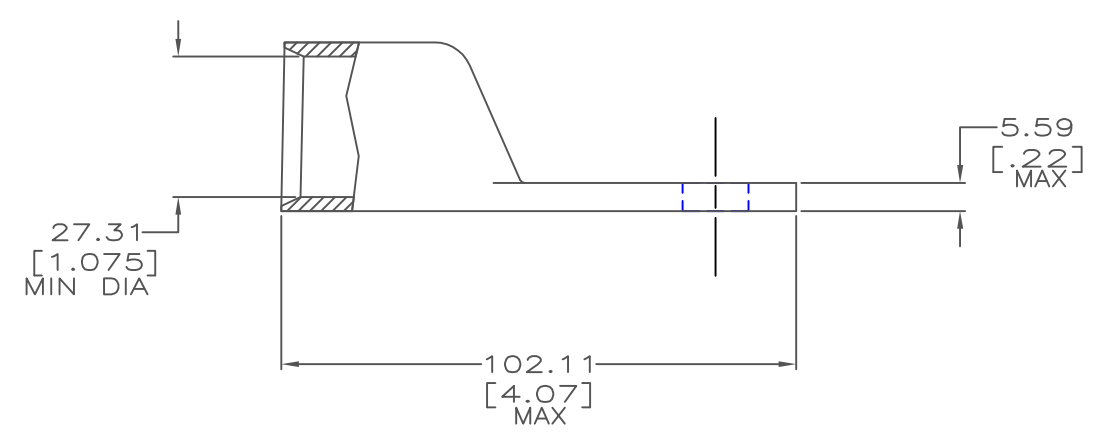


DRAWING MADE IN THIRD ANGLE PROJECTION  
 THIS DRAWING IS UNPUBLISHED. RELEASED FOR PUBLICATION .19  
 © COPYRIGHT 19 BY AMP INCORPORATED. ALL INTERNATIONAL RIGHTS RESERVED.

LOC		DIST		REVISIONS			
ZONE	LTR	DESCRIPTION	DATE	APPD			
G	86	P	F	B	ECR-17-006035	02JUN17	M



1 CIRCULAR MIL RANGE: 550-650 MCM



55842

DO NOT SCALE PRINT. UNLESS SPECIFIED		DR 7/21/92 DK SCHRUM	55842-1	
DIMENSIONS IN mm [INCHES]		CHK 7/21/92 AJ KAUFMAN	PART NO	
TOLERANCES ON :		APPD 7/21/92 WJ VOCKROTH	AMP Incorporated Harrisburg, PA 17105-3608	
2 PLC DEC ± 0.50[.020]		APPD 7/21/92 CR RHOADS	NAME	
3 PLC DEC ± -		PRODUCT SPEC -	TERMINAL, RECTANGULAR TONGUE, AMPOWER, WIRE SIZE: 304.0mm[600] MCM	
ANGLES ± -		APPLICATION SPEC -	SIZE	CAGE CODE
MATERIAL		FINISH	①	00779
COPPER ASTM B-75 ANNEALED		0.00254[.000100] MIN THK PER MIL-T-10727	SCALE	DRAWING NO
			1:1	①-55842
				SHEET 10F 1

THIS DRAWING IS A CONTROLLED DOCUMENT FOR AMP INCORPORATED. IT IS SUBJECT TO CHANGE AND THE CONTROLLING ENGINEERING ORGANIZATION SHOULD BE CONTACTED FOR THE LATEST REVISION.

CUSTOMER DRAWING

单击下面可查看定价，库存，交付和生命周期等信息

[>>TE Connectivity\(泰科\)](#)