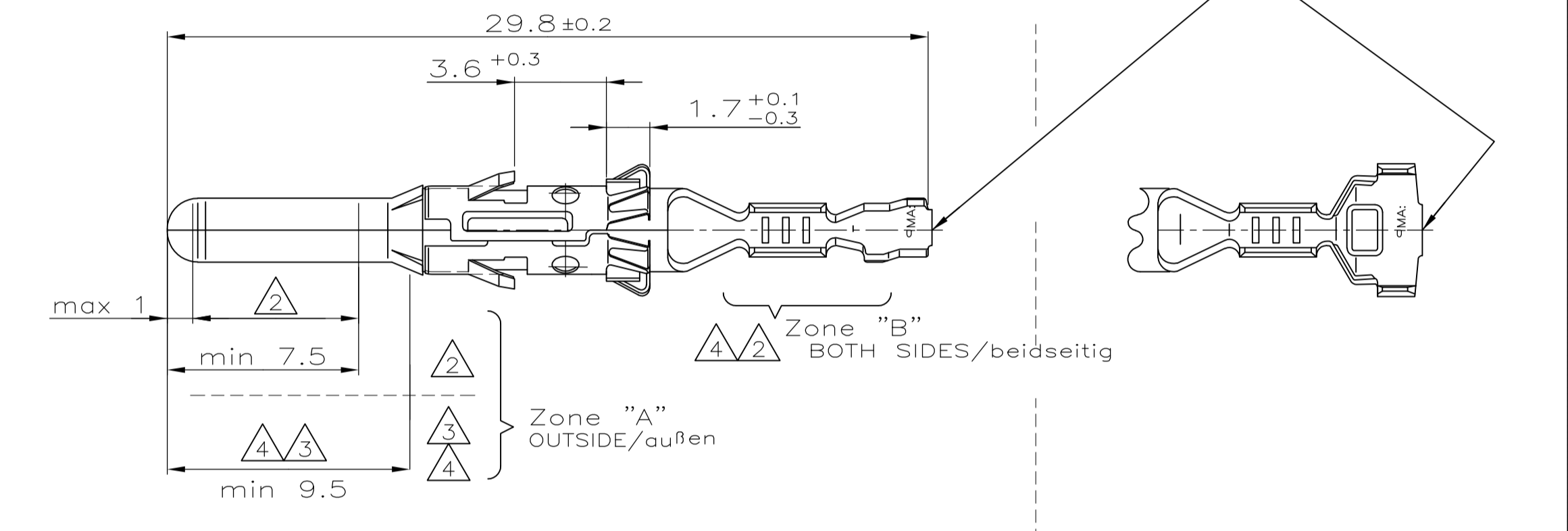


| Version B (SINGLE WIRE SEAL-SYSTEM / Einzel-Dichtungs-System) | TE CONNECTIVITY ORDER-Nr. | TE CONNECTIVITY ORDER-Nr. | TE CONNECTIVITY ORDER-Nr. | TE CONNECTIVITY ORDER-Nr. | TE CONNECTIVITY ORDER-Nr. | TE CONNECTIVITY ORDER-Nr. | TE CONNECTIVITY ORDER-Nr. | TE CONNECTIVITY ORDER-Nr. | TE CONNECTIVITY ORDER-Nr. | TE CONNECTIVITY ORDER-Nr. | TE CONNECTIVITY ORDER-Nr. | TE CONNECTIVITY ORDER-Nr. | | | | |
|---|----------------------------|----------------------------|---------------------------|---------------------------|---------------------------|---------------------------|---------------------------|---------------------------|---------------------------|---------------------------|---------------------------|---------------------------|-----|----------|----------|----------|
| | SINGLE SEAL Einzeldichtung | DEAD END PLUG Blindstopfen | | | | | | | | | | | | | | |
| 1-929968-0 | 1-962972-0 | M | CuFe2 | 2 | >1.0-2.5 | E = 3.6 | H = 5.0 | 2.5mm² = 1.97 | MQC-Applicator | 734289-2 | 4 | 6.9 | 8.5 | 828921-1 | 828922-1 | |
| 929968-9 | 962972-9 | M | CuFe2 | 3 | FLR | G = 3.8 | K = 5.0 | 2.0mm² = 1.82 | 2-878486-2 | 734289-2 | 4 | 6.9 | 8.5 | 828921-1 | 828922-1 | |
| 929968-8 | 962972-8 | M | CuNiSi | 2 | | D _{cr} = 1.7 | D = 3.6 | 1.5mm² = 1.67 | | | | | | | | |
| 929968-7 | 962972-7 | M | CuNiSi | 3 | | | | | | | | | | | | |
| 929968-4 | 962972-4 | M | CuFe2 | 1 | | | | | | | | | | | | |
| 929968-1 | 962972-1 | M | CuNiSi | 1 | | | | | | | | | | | | |
| 1-929967-4 | 1-962971-4 | A | CuNiSi | 4 | 0.5-1.0 | E = 2.6 | H = 4.8 | 1.0mm² = 1.45 | MQC-Applicator | 734289-1 | 3 | 5.4 | 7 | 828920-1 | 828922-1 | |
| 1-929967-0 | 1-962971-0 | M | CuFe2 | 2 | | FLR | G = 2.8 | K = 4.8 | 0.75mm² = 1.36 | 2-878485-2 | 734289-1 | 3 | 5.4 | 7 | 828920-1 | 828922-1 |
| 929967-9 | 962971-9 | M | CuFe2 | 3 | | | D _{cr} = 1.1 | D = 3.2 | 0.5mm² = 1.27 | | | | | | | |
| 929967-8 | 962971-8 | M | CuNiSi | 2 | | | | | | | | | | | | |
| 929967-7 | 962971-7 | M | CuNiSi | 3 | | | | | | | | | | | | |
| 929967-4 | 962971-4 | M | CuFe2 | 1 | | | | | | | | | | | | |
| 929967-1 | 962971-1 | M | CuNiSi | 1 | | | | | | | | | | | | |
| 1-929966-0 | 1-962970-0 | M | CuFe2 | 2 | 0.2-0.4 | E = 2.1 | H = 4.5 | 0.35mm² = 1.11 | MQC-Applicator | 2-878484-2 | 3 | 5.4 | 7 | 828920-1 | 828922-1 | |
| 929966-9 | 962970-9 | M | CuFe2 | 3 | | FLR | G = 2.1 | K = 4.5 | | 2-878484-2 | 734289-1 | 3 | 5.4 | 7 | 828920-1 | 828922-1 |
| 929966-8 | 962970-8 | M | CuNiSi | 2 | | | D _{cr} = 0.8 | D = 3.2 | | | | | | | | |
| 929966-7 | 962970-7 | M | CuNiSi | 3 | | | | | | | | | | | | |
| 929966-4 | 962970-4 | M | CuFe2 | 1 | | | | | | | | | | | | |
| 929966-1 | 962970-1 | M | CuNiSi | 1 | | | | | | | | | | | | |



REMARKS
Bemerkungen

1. **PRE TINNED** 1-2µm
vorverzint

2. **ZONE "A":** MIN 0.8µm ELECTROPL. Au OVER MIN 1.3µm ELECTROPL. Ni LAYER
min 0.8µm galv. Au über min 1.3µm galv. Ni
ZONE "B": 1-2µm ELECTROPL. Sn OVER MIN 0.1µm ELECTROPL. Ni
1-2µm galv. Sn über min 0.1µm galv. Ni
REST: min 0.1µm ELECTROPL. Ni
min 0.1µm galv. Ni

3. **ZONE "A":** MIN 3µm ELECTROPL. Ag
min 3µm galv. Ag
REST: min 0.5µm ELECTROPL. Ag
min 0.5µm galv. Ag

4. **ZONE "A":** MIN 3µm ELECTROPL. Ag
min 3µm galv. Ag
ZONE "B": 1-3µm ELECTROPL. Sn
1-3µm galv. Sn
REST: SILVER OR TIN ALLOWED IN TRANSITION AREAS.OVERLAPPING LAYERS
AND PLAIN SURFACES ARE NOT ALLOWED.
Silber oder Zinn im Übergangsbereich erlaubt.
überlagernde Schichten oder blanke Stellen sind nicht erlaubt.

5. **AT AREA OF TOP OPENING PERMITTED**
Im Bereich der Spitze Öffnung zulässig

6. **AVAILABILITY MUST BE CHECKED BY TE CONNECTIVITY**
Verfügbarkeit ist von TE CONNECTIVITY zu prüfen

| Version A (UNSEALED / ungedichtet) | TE CONNECTIVITY ORDER-Nr. | TE CONNECTIVITY ORDER-Nr. | TE CONNECTIVITY ORDER-Nr. | TE CONNECTIVITY ORDER-Nr. | TE CONNECTIVITY ORDER-Nr. | TE CONNECTIVITY ORDER-Nr. | TE CONNECTIVITY ORDER-Nr. | TE CONNECTIVITY ORDER-Nr. | TE CONNECTIVITY ORDER-Nr. | TE CONNECTIVITY ORDER-Nr. | TE CONNECTIVITY ORDER-Nr. | TE CONNECTIVITY ORDER-Nr. | | | | |
|------------------------------------|----------------------------|----------------------------|---------------------------|---------------------------|---------------------------|---------------------------|---------------------------|---------------------------|---------------------------|---------------------------|---------------------------|---------------------------|-----|-----|--|--|
| | SINGLE SEAL Einzeldichtung | DEAD END PLUG Blindstopfen | | | | | | | | | | | | | | |
| 1-929965-0 | 1-962969-0 | J | CuFe2 | 2 | >2.5-4.0 | E = 4.3 | H = 5.4 | 4.0mm² = 2.30 | MQC-Applicator | 734285-3 | 4 | 5.5 | 8.5 | | | |
| 929965-9 | 962969-9 | J | CuFe2 | 3 | FLR | G = 4.5 | K = 5.6 | 3.0mm² = 2.05 | 2-878483-2 | 734285-3 | 4 | 5.5 | 8.5 | | | |
| 929965-8 | 962969-8 | J | CuNiSi | 2 | | D _{cr} = 2.4 | D = 3.2 | | | | | | | | | |
| 929965-7 | 962969-7 | J | CuNiSi | 3 | | | | | | | | | | | | |
| 929965-4 | 962969-4 | J | CuFe2 | 1 | | | | | | | | | | | | |
| 929965-1 | 962969-1 | J | CuNiSi | 1 | | | | | | | | | | | | |
| 1-929964-0 | 1-962968-0 | J | CuFe2 | 2 | >1.0-2.5 | E = 3.6 | H = 4.3 | 2.5mm² = 1.97 | MQC-Applicator | 734285-2 | 4 | 5.5 | 8.5 | | | |
| 929964-9 | 962968-9 | J | CuFe2 | 3 | | FLR | G = 3.8 | K = 4.5 | 2.0mm² = 1.82 | 2-878482-2 | 734285-2 | 4 | 5.5 | 8.5 | | |
| 929964-8 | 962968-8 | J | CuNiSi | 2 | | | D _{cr} = 1.7 | D = 2.6 | 1.5mm² = 1.67 | | | | | | | |
| 929964-7 | 962968-7 | J | CuFe2 | 3 | | | | | 1.25mm² = 1.60 | | | | | | | |
| 929964-4 | 962968-4 | J | CuFe2 | 1 | | | | | | | | | | | | |
| 929964-1 | 962968-1 | J | CuNiSi | 1 | | | | | | | | | | | | |
| 1-929963-0 | 1-962967-0 | L | CuFe2 | 2 | 0.5-1.0 | | E = 2.6 | H = 3.2 | 1.0mm² = 1.45 | | | | | | | |
| 929963-9 | 962967-9 | L | CuFe2 | 3 | | FLR | G = 2.8 | K = 3.4 | 0.75mm² = 1.36 | 2-878481-2 | 734285-1 | 3 | 4.5 | 7 | | |
| 929963-8 | 962967-8 | L | CuNiSi | 2 | | | D _{cr} = 1.1 | D = 1.8 | 0.5mm² = 1.27 | | | | | | | |
| 929963-7 | 962967-7 | L | CuNiSi | 3 | | | | | | | | | | | | |
| 929963-4 | 962967-4 | L | CuFe2 | 1 | | | | | | | | | | | | |
| 929963-1 | 962967-1 | L | CuNiSi | 1 | | | | | | | | | | | | |
| 1-929962-0 | 1-962966-0 | J | CuFe2 | 2 | 0.2-0.4 | | E = 2.1 | H = 2.5 | 0.35mm² = 1.11 | | | | | | | |
| 929962-9 | 962966-9 | J | CuFe2 | 3 | | FLR | G = 2.1 | K = 2.5 | 0.25mm² = 1.07 | 2-878480-2 | 734285-1 | 3 | 4.5 | 7 | | |
| 929962-8 | 962966-8 | J | CuNiSi | 2 | | | D _{cr} = 0.8 | D = 1.4 | 0.2mm² = 1.05 | | | | | | | |
| 929962-7 | 962966-7 | J | CuFe2 | 3 | | | | | | | | | | | | |
| 929962-4 | 962966-4 | J | CuFe2 | 1 | | | | | | | | | | | | |
| 929962-1 | 962966-1 | J | CuNiSi | 1 | | | | | | | | | | | | |

| TE CONNECTIVITY ORDER-Nr. | TE CONNECTIVITY ORDER-Nr. | REV. | MATERIAL Werkstoff | SURFACE Oberfläche | DGB [mm²] | WIRE CRIMP Drahtcrimp | INSUL.-CRIMP Isol.-Crimp | WIRE CRIMP HEIGHT CH Drahtcrimp-Höhe CH | APPLICATION TOOL Anschlag-WKZ | HAND TOOL Handzange | A | B | C |
|---------------------------|------------------------------|------|--------------------|--------------------|-----------|--|--------------------------|---|--|---------------------|---|---|---|
| STRIP FORM Bandware | LOOSE PIECE Einzelausführung | | | | | CRIMP DIMENSION (mm) Crimpabmessungen (mm) | | | EXTRACTION TOOL Ausdrückwerkzeug Nr.: 872070-1 | | | | |
| | | | | | | | | | | | | | |

THIS DRAWING IS A CONTROLLED DOCUMENT. DIESE ZEICHNUNG IST EIN KONTROLLIERTES DOKUMENT.

| | | | | | | | | | | | | |
|----------------------------|--|------------------|-----------|-----------|-----------|-----------|----------------------|-------------------------------------|---------------|-----------|---------------|---------|
| DIMENSIONS: DIMENSIONEN mm | TOLERANCES UNLESS OTHERWISE SPECIFIED: ALLE TOLERANZEN UNLESS OTHERWISE SPECIFIED: ± 0.15 mm | 0-RIBS ± 0.15 mm | 1-PLC ± - | 2-PLC ± - | 3-PLC ± - | 4-PLC ± - | ANGLES / WINKEL ± 1° | FINISH / OBERFLÄCHE/FARBE SEE TABLE | WEIGHT 0.85 g | SCALE 5:1 | SHEET 1 VON 1 | REV HMR |
|----------------------------|--|------------------|-----------|-----------|-----------|-----------|----------------------|-------------------------------------|---------------|-----------|---------------|---------|

APVD: J. Granzow

PRODUCT SPEC: 108-18027

APPLICATION SPEC: 114-18020

CUSTOMER DRAWING / KUNDENZEICHNUNG

STE TE Connectivity

DIA. 2.5MM PIN CONTACT
DIA 2.5mm Stiftkontakt

单击下面可查看定价，库存，交付和生命周期等信息

[>>TE Connectivity\(泰科\)](#)