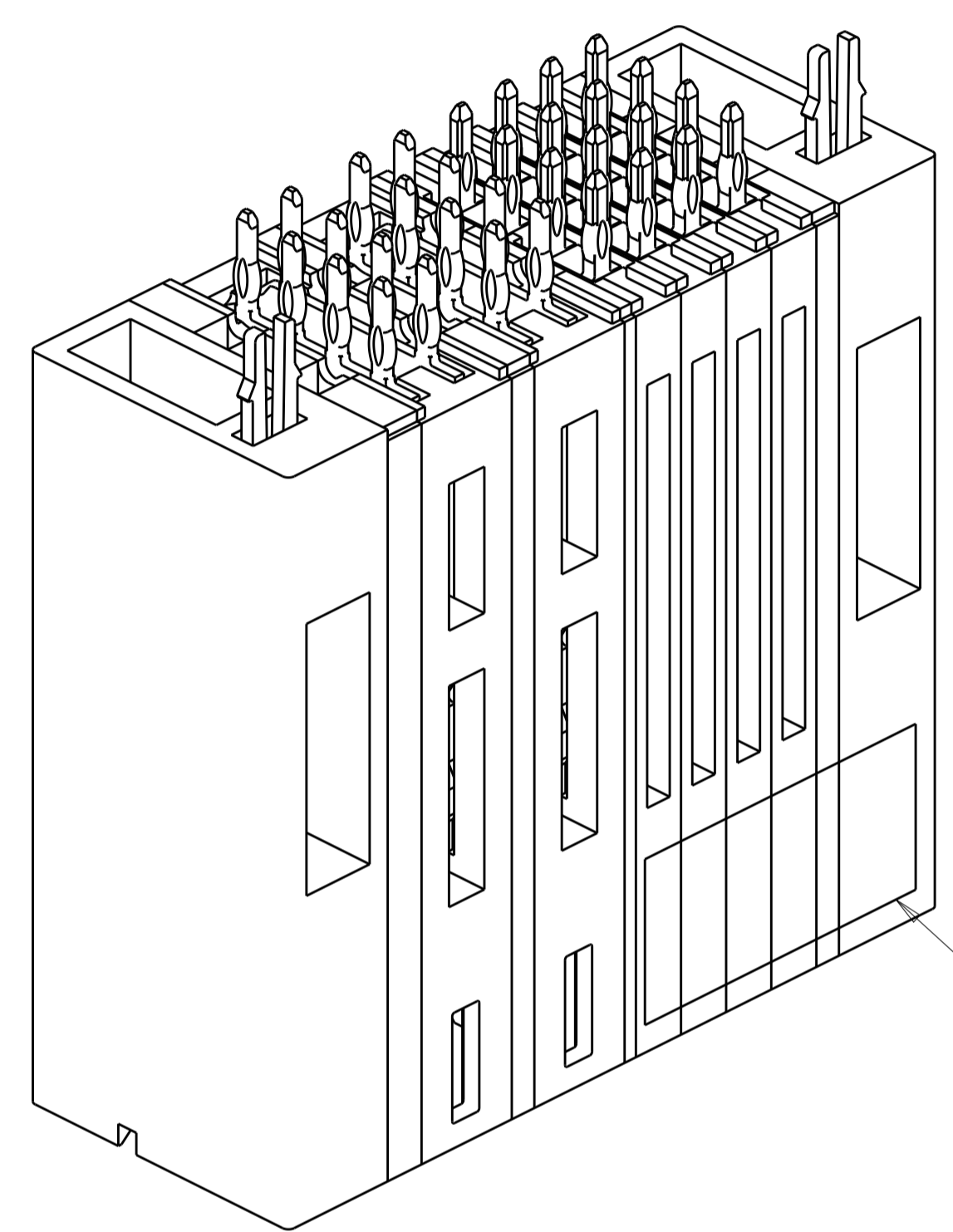
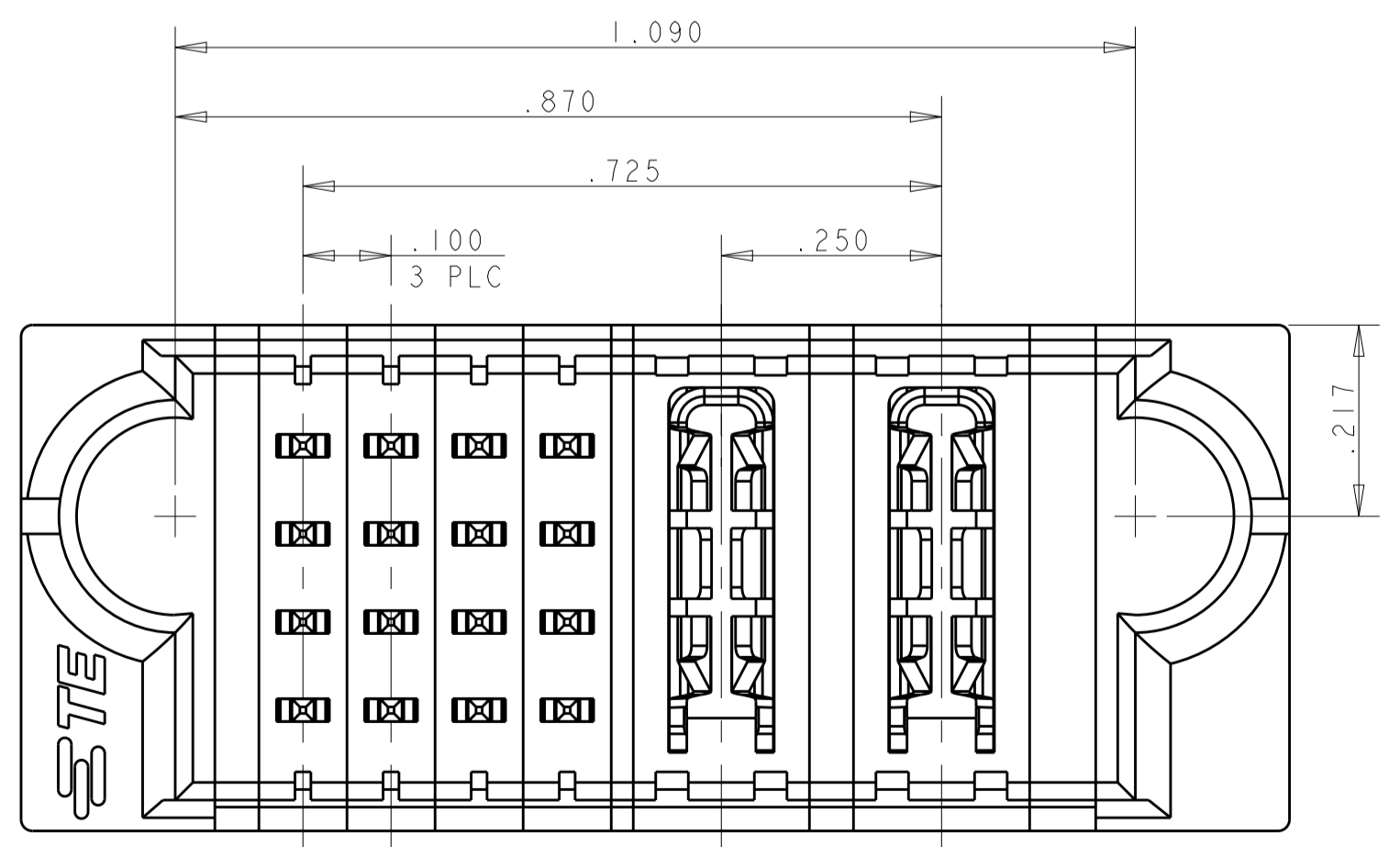
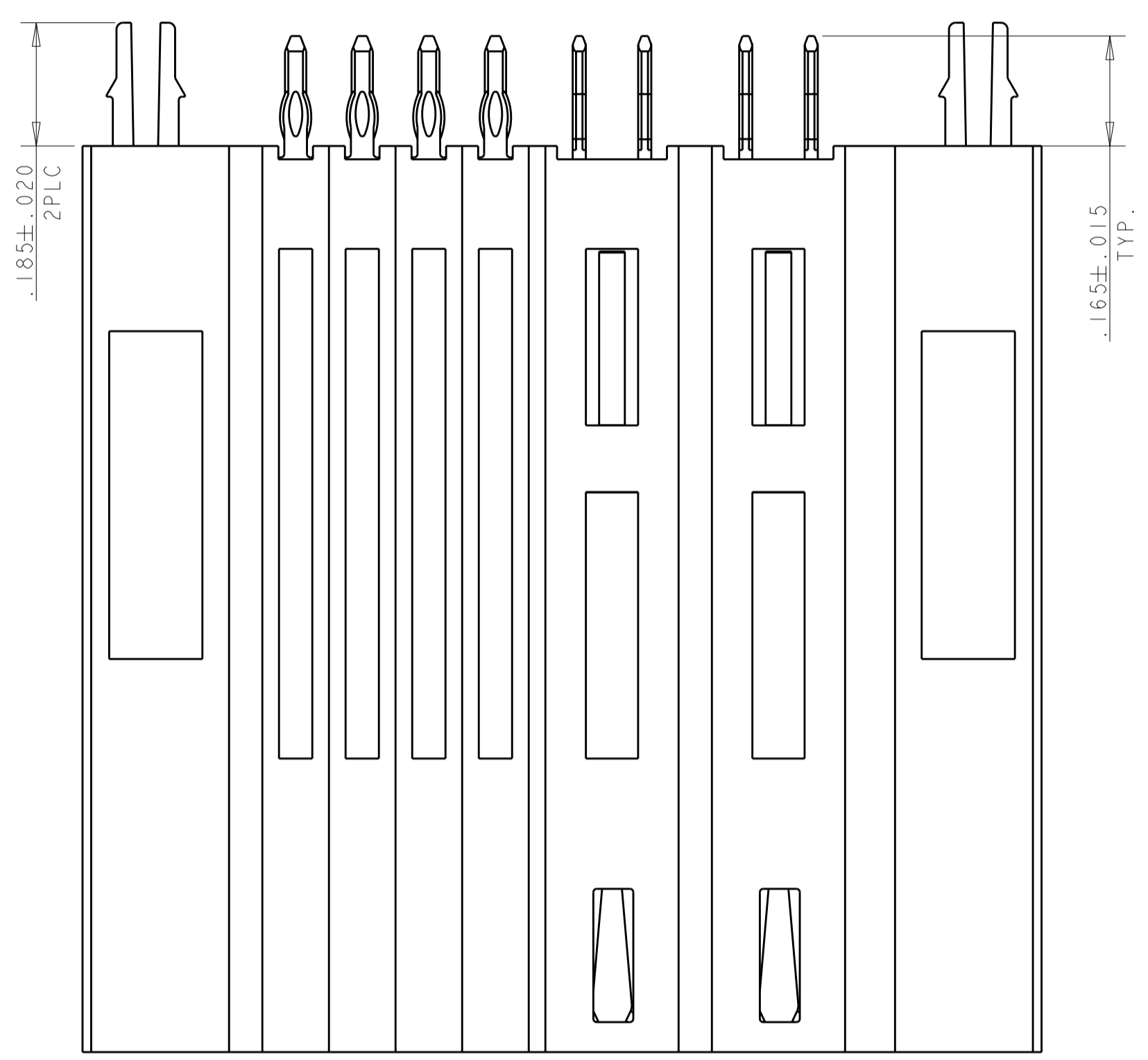
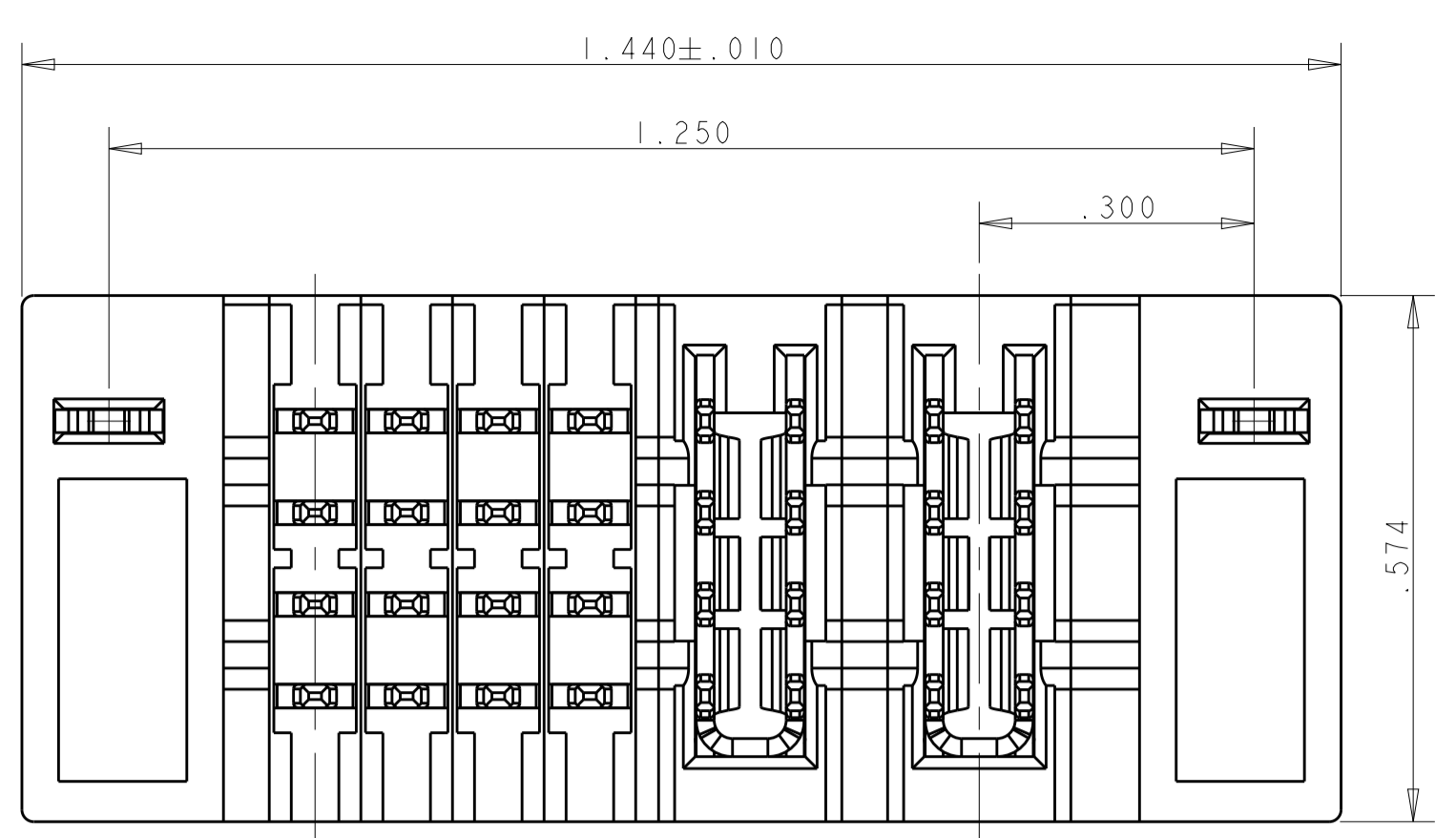
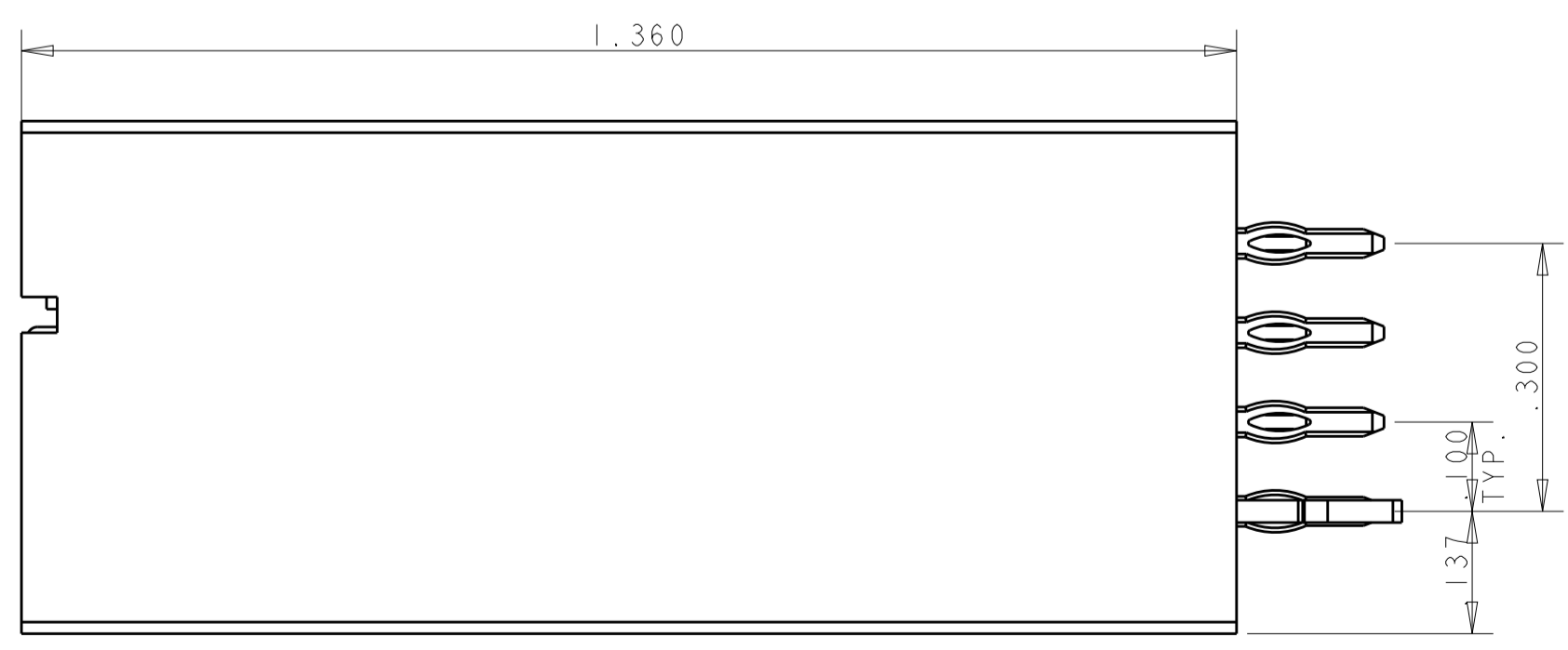


LOC	DIST	REVISIONS			
P	LTN	DESCRIPTION	DATE	DMN	APVD
A		INITIAL RELEASED	28FEB2012	TZ	SZ
A1		ADD NEW PART NUMBER 1892801-4	16MAR2012	TZ	SZ
B		ECO-13-014610	16SEP2013	TZ	SZ



- 1. HEADER HOUSING: THERMO PLASTIC, BLACK, UL94 V-0; CONTACTS AND RETENTION CLIPS: COPPER ALLOY.
- 2. PIN CONTACTS: .000030 MIN GOLD IN MATING AREA, .000100 MIN TIN ON POST AREAS, BOTH OVER .000050 MIN NICKEL.
- 3. PART NUMBER AND DATE CODE MARKED IN THIS AREA. PARTS
- 4. DATUM AND BASIC DIMENSIONS ESTABLISHED BY CUSTOMER.
- 5. PCB - ALL HOLE DIAMETERS ARE FINISHED HOLE SIZES.
- 6. A SEATING TOOL IS REQUIRED TO SEAT THE HEADER ON THE P.C. BOARD. PLEASE REFER TO THE 114-13251 APPLICATION SPEC. THE SEATING TOOL PART NUMBER: 1901221-4.
- 7. MECHANICAL CONNECTOR KEEP OUT ZONE.
- 8. ADD ZONYL PFPE LUBRICANT APPLIED TO THE POWER CONTACT.

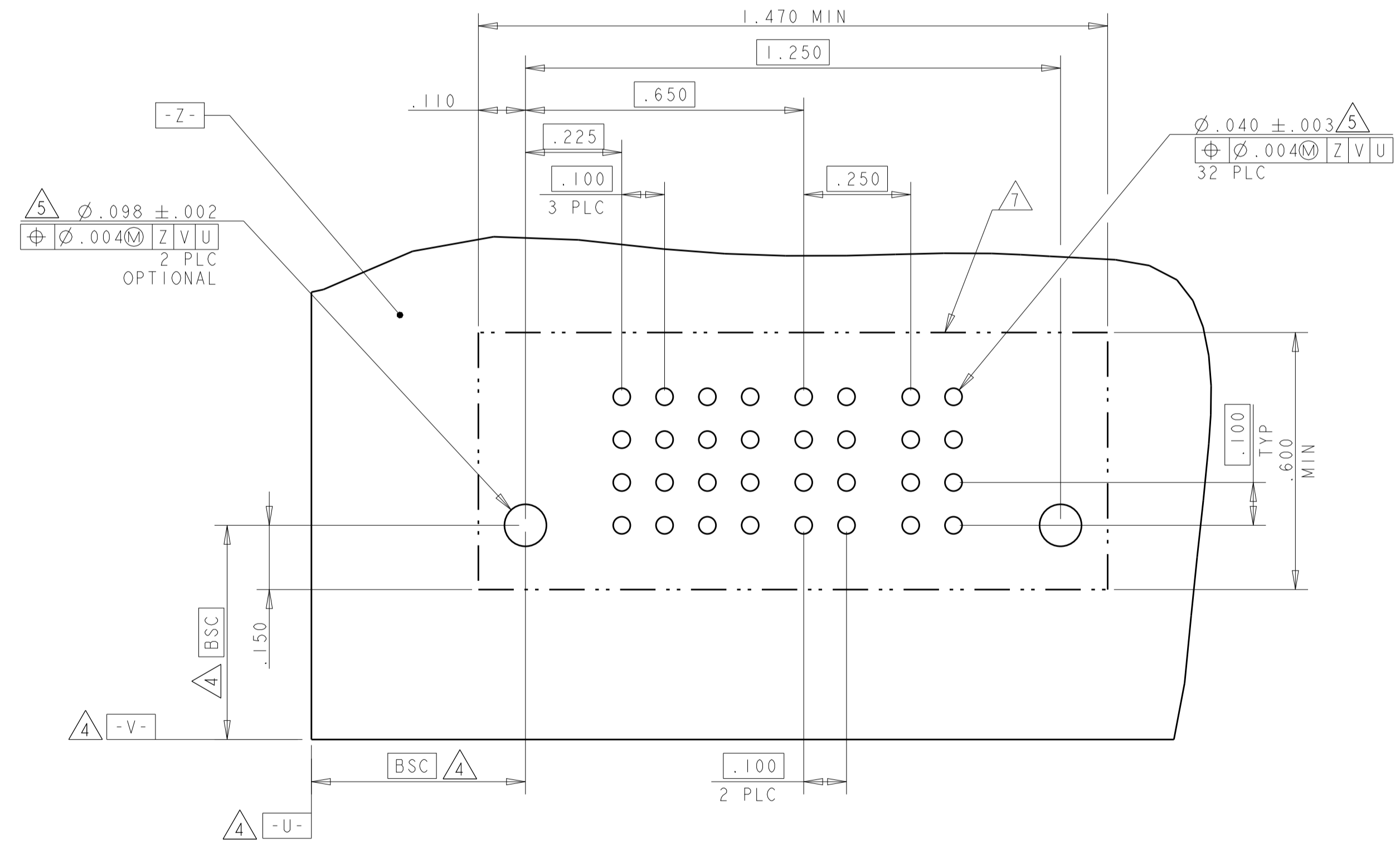
3. PART NUMBER DATA CODE



A1	16S + 2P	1892801-4	8
	16S + 2P	1892801-1	
	DESCRIPTION	PART NUMBER	

THIS DRAWING IS A CONTROLLED DOCUMENT.		DMN: C. ZHOU 15SEP2010	TE Connectivity VERTICAL PLUG ASSEMBLY 1.535 INCH STACK HEIGHT MULTI-BEAM XLE
DIMENSIONS: INCHES		CHK: S. ZHAO 15SEP2010	
TOLERANCES UNLESS OTHERWISE SPECIFIED:		APVD: S. ZHAO 15SEP2010	
0 PLC ± 1 PLC ± 2 PLC ± 3 PLC ±0.005 4 PLC ±0.0020 ANGLES ±7°		PRODUCT SPEC: 108-2292 APPLICATION SPEC: 114-13251 WEIGHT: -	
MATERIAL: 1	FINISH: 2	RESTRICTED TO: -	SIZE: A1 CAGE CODE: 100779 DRAWING NO: C=1892801 CUSTOMER DRAWING SCALE: 1:1 SHEET 1 OF 3 REV B

PART NUMBER	ROWS	SIGNAL				POWER	
		1	2	3	4	P1	P2
1892801-1	D	E	V	E	V	VM	VM
	C	E	V	E	V		
	B	E	V	E	V		
	A	E	V	E	V		
16S + 2P		HD					HD

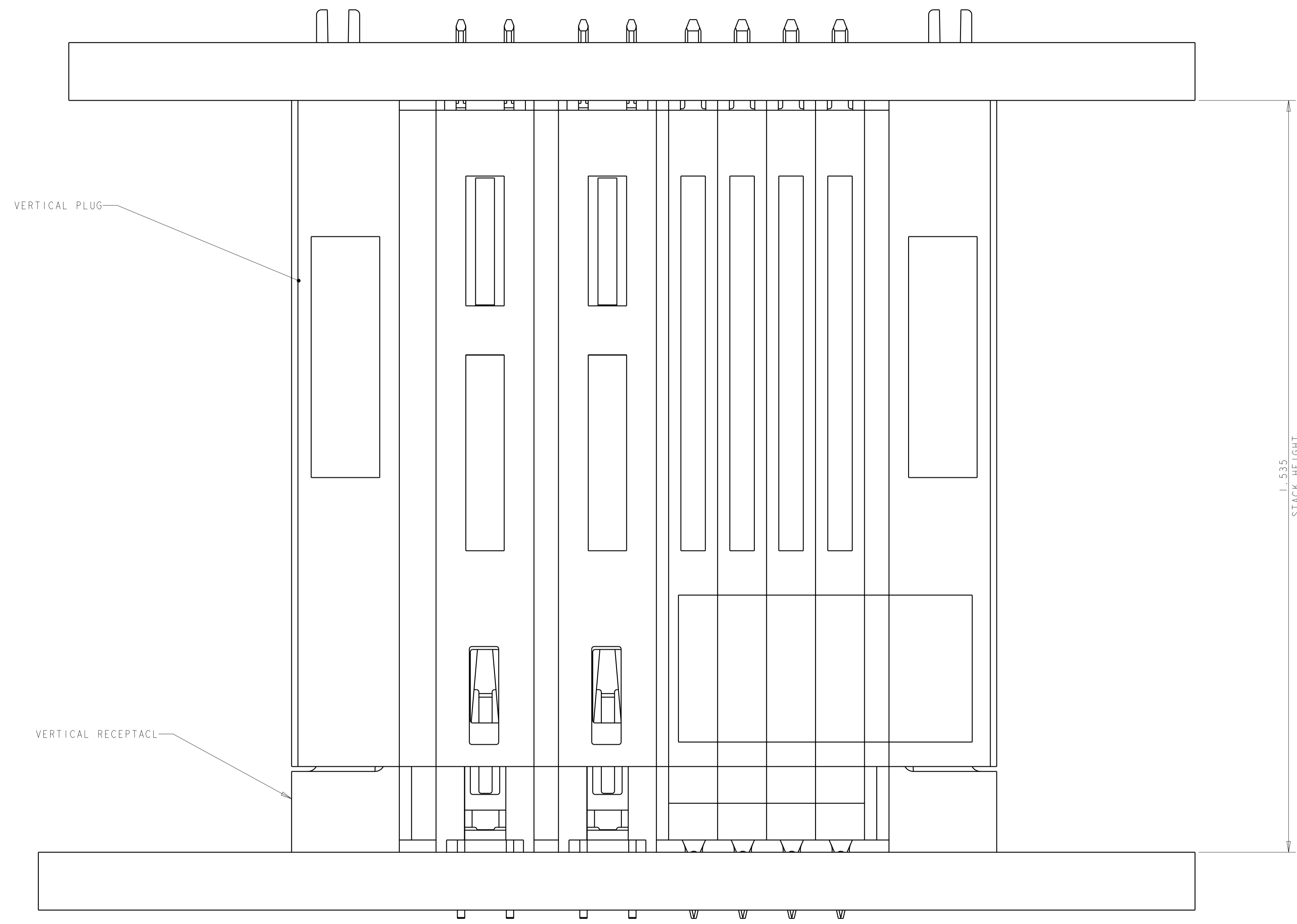


PCB LAYOUT OF 1892801-4 SHARE WITH 1892801-1

RETENTION CLIP	HD
STD SIGNAL CONTACT	EV
POWER CONTACT	VM
DESCRIPTION	CODE

THIS DRAWING IS A CONTROLLED DOCUMENT.		DWN C. ZHOU	15SEP2010	TE Connectivity VERTICAL PLUG ASSEMBLY 1.535 INCH STACK HEIGHT MULTI-BEAM XLE
DIMENSIONS: INCHES		CHK S. ZHAO	15SEP2010	
TOLERANCES UNLESS OTHERWISE SPECIFIED:		APVD S. ZHAO	15SEP2010	
0 PLC ± 1 PLC ± 2 PLC ±0.02 3 PLC ±0.02 4 PLC ± ANGLES ±2°		PRODUCT SPEC 108-2292	APPLICATION SPEC 114-13251	
MATERIAL	FINISH	WEIGHT	114-13251	RESTRICTED TO
CUSTOMER DRAWING		SCALE	1:1	SHEET 2 OF 3
		REV	B	

LOC		DIST		REVISIONS			
ES	00	P.	LTH	DESCRIPTION	DATE	DMN	APVD




VERTICAL PLUG

VERTICAL RECEPTACL

1.535
STACK HEIGHT

MATING WITH VERTICAL RECEPTACLE
REFERENCE

THIS DRAWING IS A CONTROLLED DOCUMENT.		DMN C. ZHOU 15SEP2010	 TE Connectivity
DIMENSIONS: INCHES		CHK S. ZHAO 15SEP2010	
TOLERANCES UNLESS OTHERWISE SPECIFIED:		APVD S. ZHAO 15SEP2010	NAME VERTICAL PLUG ASSEMBLY 1.535 INCH STACK HEIGHT MULTI-BEAM XLE
0 PLC ±	1 PLC ±	PRODUCT SPEC 108-2292	SIZE A100779
2 PLC ±0.02	3 PLC ±0.02	APPLICATION SPEC	CAGE CODE 1892801
4 PLC ±	ANGLES ±2°	114-13251	RESTRICTED TO
MATERIAL	FINISH	WEIGHT	SCALE 2:1
CUSTOMER DRAWING		SHEET 3 OF 3	REV B

单击下面可查看定价，库存，交付和生命周期等信息

[>>TE Connectivity\(泰科\)](#)