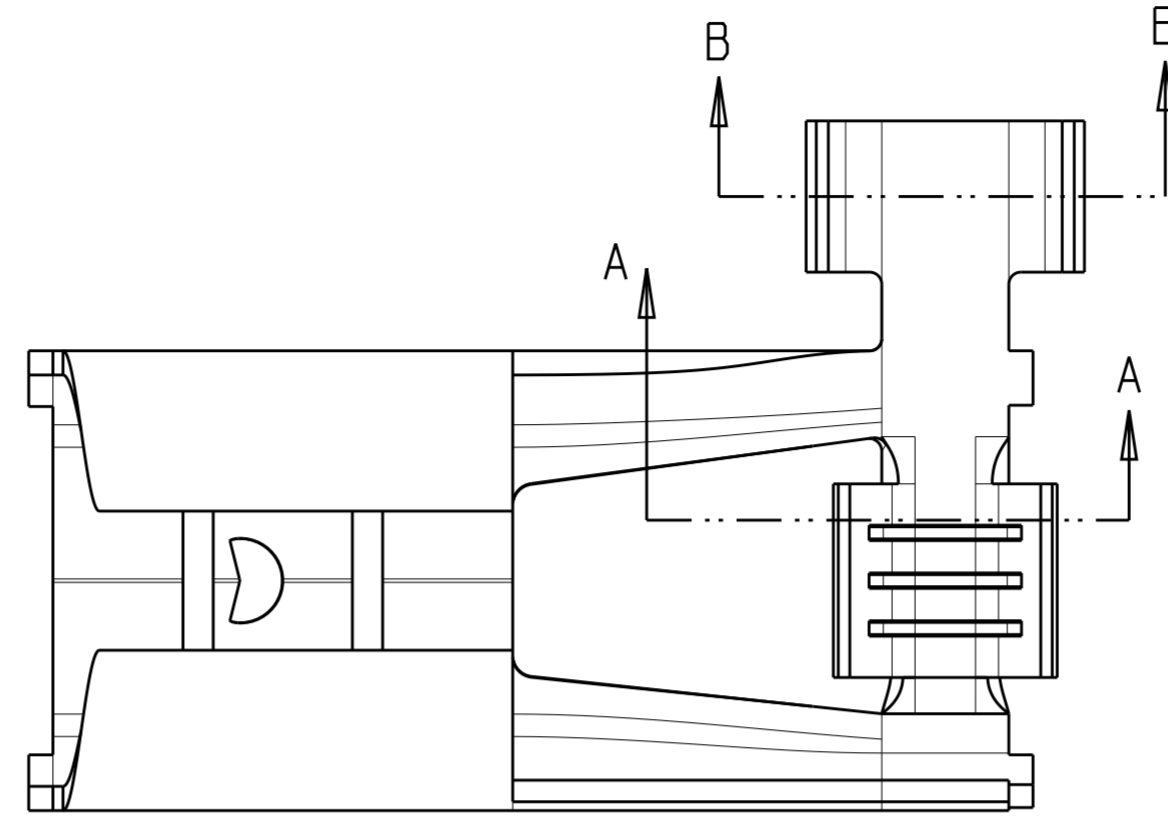
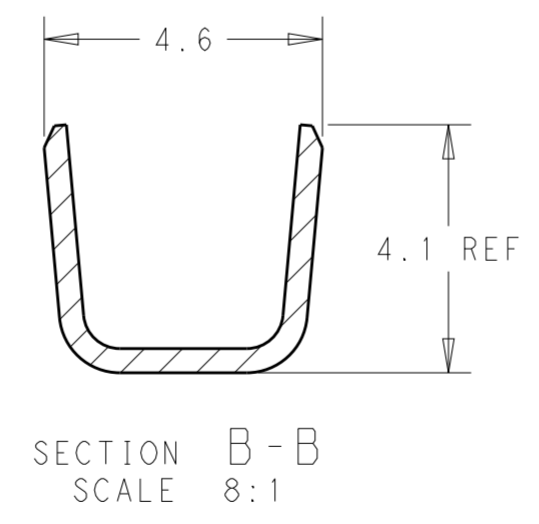
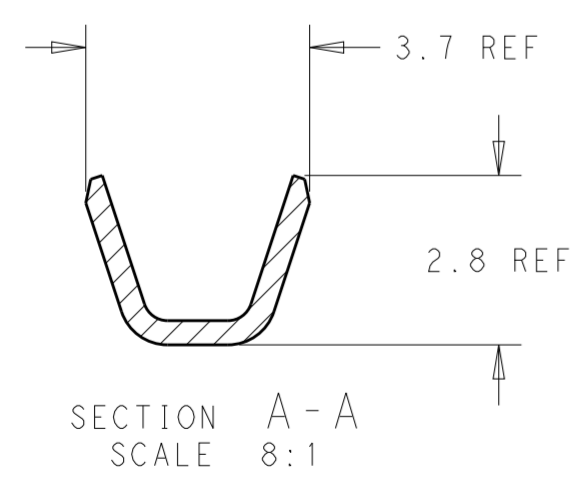
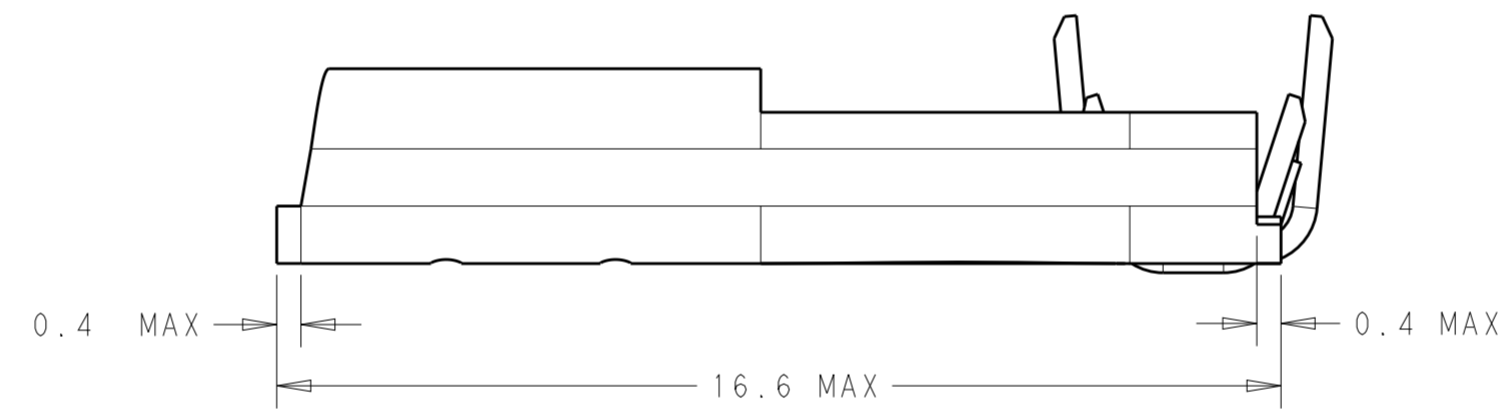
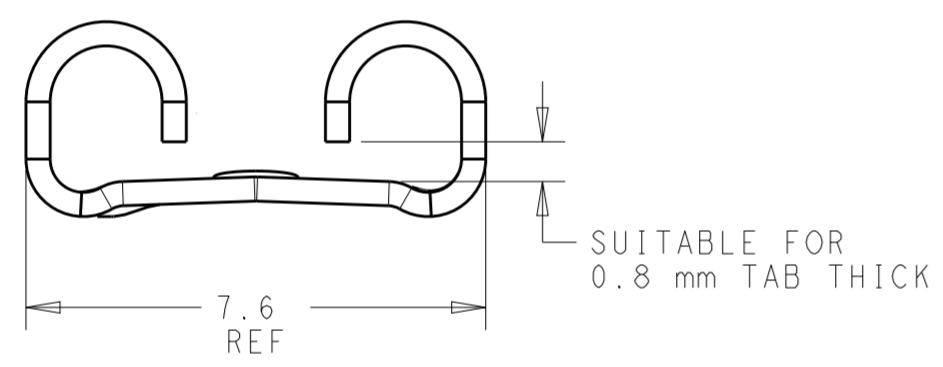


THIS DRAWING IS UNPUBLISHED. RELEASED FOR PUBLICATION
 © COPYRIGHT copyright.d8te- ALL RIGHTS RESERVED.

REVISIONS				
P	LTR	DESCRIPTION	DATE	APVD
L2		REVISED PER ECR-17-009666	04JUL2017	BW FV



- 1 FOR STRIP FORM VERSION SEE DRAWING 180388
- 2 PACKAGE ACCORDING TO AMP SPEC. 107-20201



TIN PLATED	BRASS	0-180430-2
UNPLATED	BRASS	0-180430-1
FINISH/COLOR	MATERIAL	TE P/N

THIS DRAWING IS A CONTROLLED DOCUMENT.		DWN RAVLS 26MAY2017	TE Connectivity	
DIMENSIONS:		CHK VIRDIA FEDERICO 26MAY2017		
TOLERANCES UNLESS OTHERWISE SPECIFIED:		APVD VIRDIA FEDERICO 26MAY2017		
mm		PRODUCT SPEC		
INS. DIA. RANGE: 2.0-3.3		APPL. SPEC	NAME FASTON CONNECTOR .250 sr. FLAG REC. CONTACT (LOOSE PIECE VERSION)	
WIRE RANGE: 0.5-1.5		WEIGHT	SIZE A200779	CAGE CODE C-180430
MATERIAL		CUSTOMER DRAWING	SCALE 5:1	SHEET 1 OF 1
0 PLC ±0.3 1 PLC ± 2 PLC ± 3 PLC ± 4 PLC ± ANGLES ±2° FINISH -		RESTRICTED TO	REV L2	

单击下面可查看定价，库存，交付和生命周期等信息

[>>TE Connectivity\(泰科\)](#)