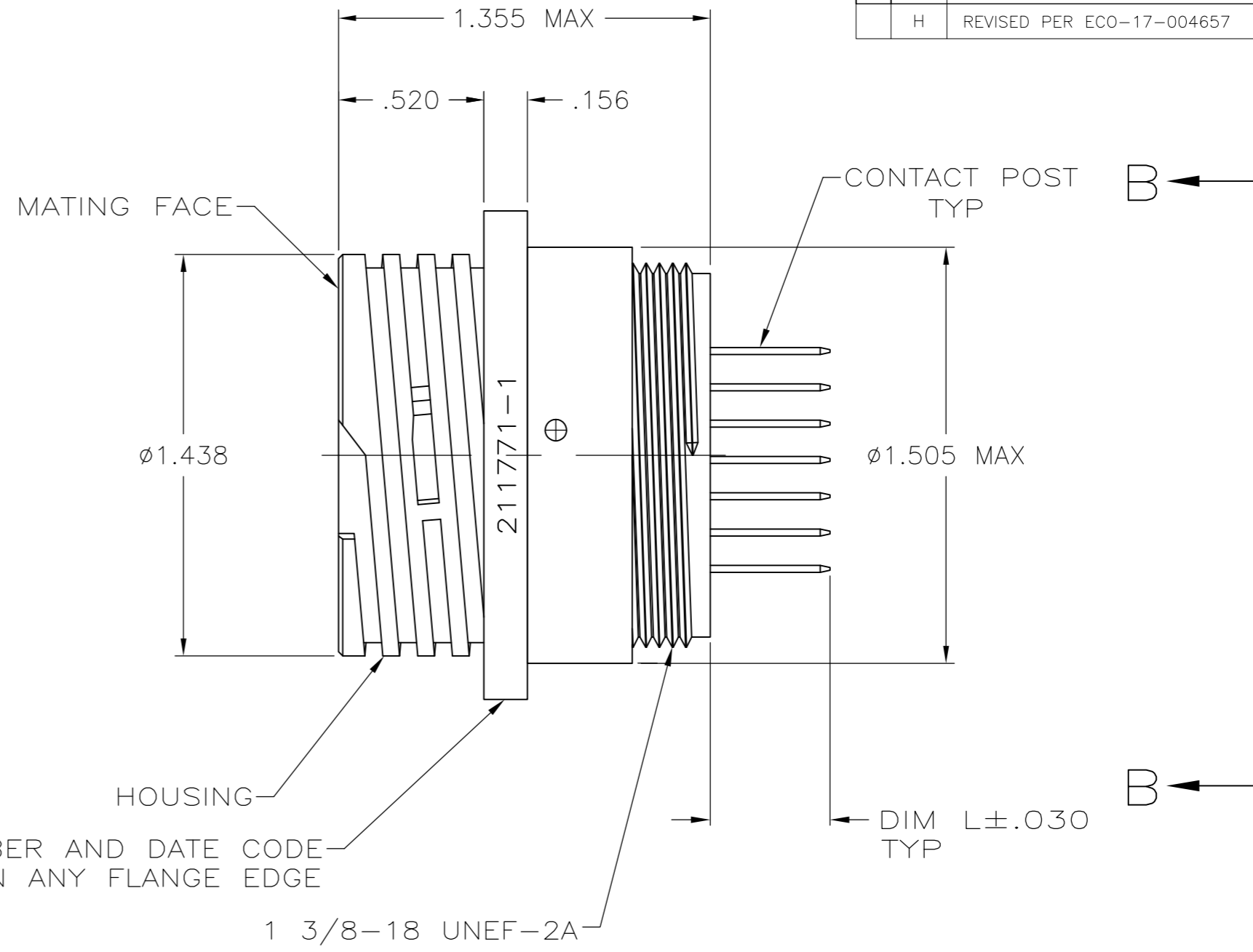
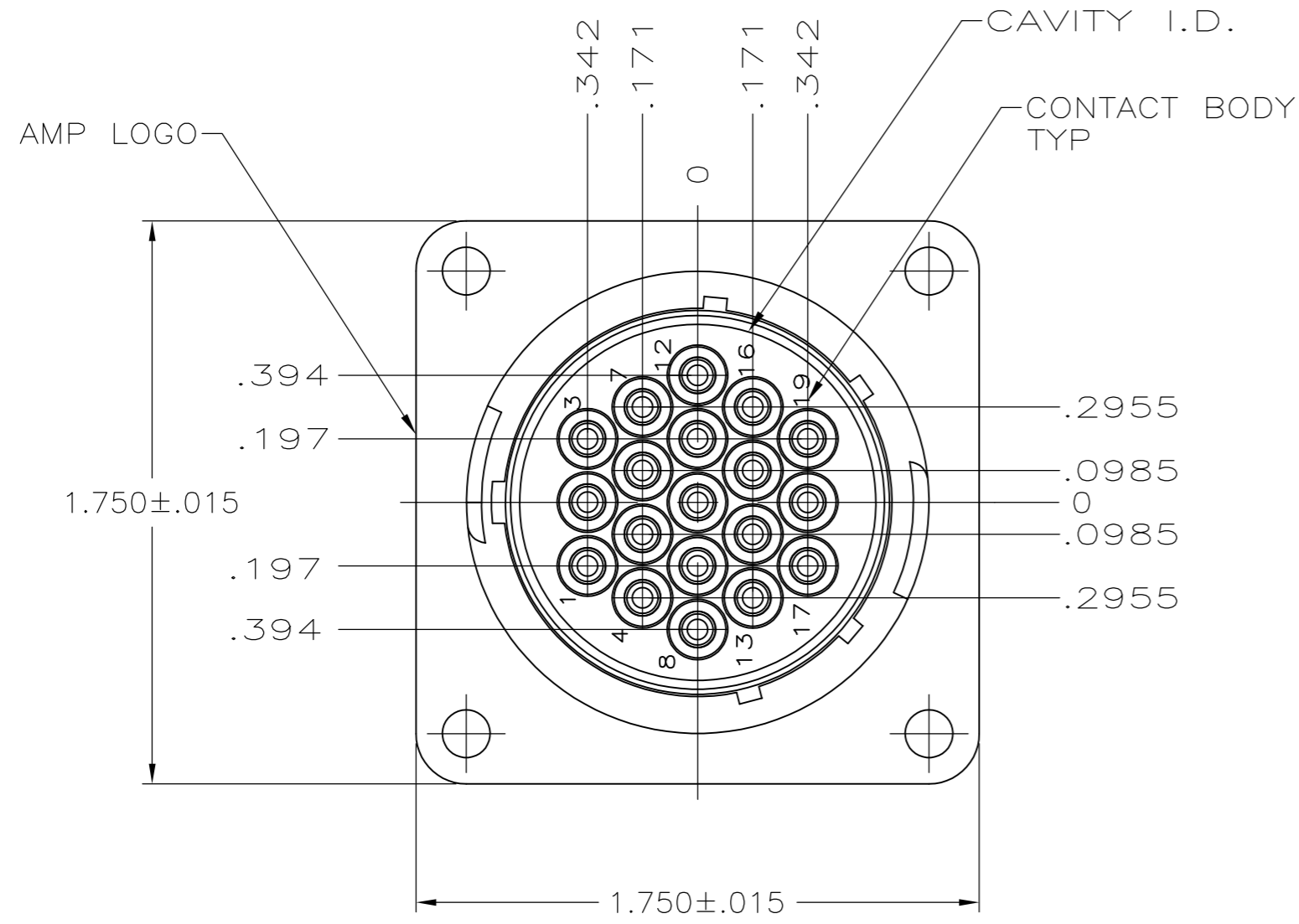
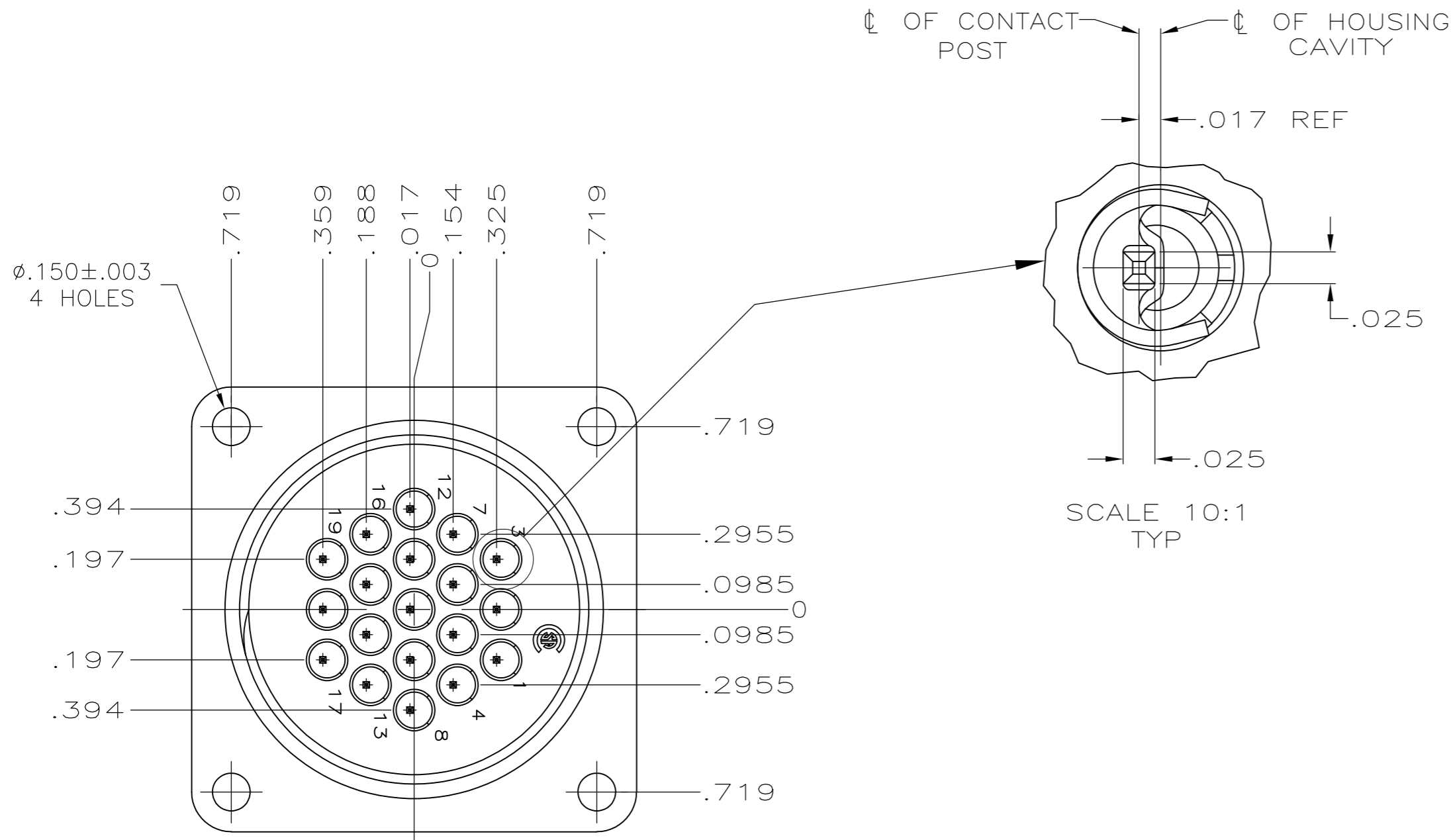


THIS DRAWING IS UNPUBLISHED. RELEASED FOR PUBLICATION
 © COPYRIGHT - By - ALL RIGHTS RESERVED.

| REVISIONS | | | | | |
|-----------|-----|---------------------------|-----------|-----|------|
| P | LTR | DESCRIPTION | DATE | DWN | APVD |
| G | | REVISED PER ECO-12-015665 | 26SEP12 | KH | MZ |
| H | | REVISED PER ECO-17-004657 | 05APR2017 | RS | MZ |



PART NUMBER AND DATE CODE MARKED ON ANY FLANGE EDGE



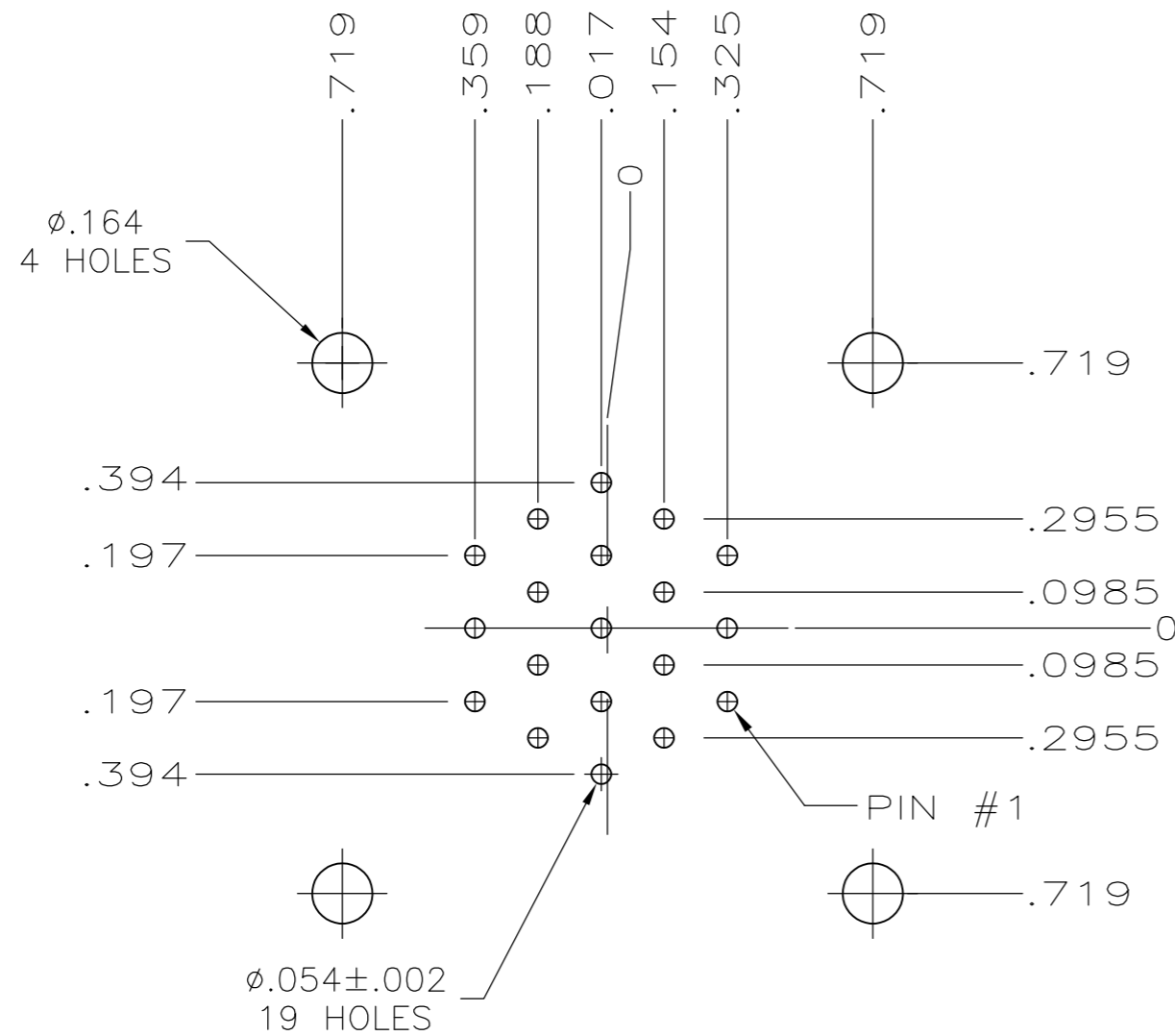
VIEW B-B

| | | | |
|----------|---|-------------|-------------|
| OBSOLETE | 6 | .240 | 1-213782-0 |
| | 5 | .244 | 213782-7 |
| | 6 | .429 | 213782-4 |
| OBSOLETE | 5 | .119 | 213782-3 |
| 9 | 5 | .244 | 213782-2 |
| | 5 | .429 | 213782-1 |
| | | POST FINISH | PART NUMBER |
| | | DIM L | |

| | | | | |
|--|--|-----------------------|--|-----------------|
| THIS DRAWING IS A CONTROLLED DOCUMENT. | | DWN W.LENKER 08/20/93 | TE TE Connectivity | |
| DIMENSIONS: INCHES | | CHK R.STONE 08/24/93 | | |
| TOLERANCES UNLESS OTHERWISE SPECIFIED: | | APVD - | NAME | |
| 0 PLC ± - | | PRODUCT SPEC - | RECEPTACLE ASSEMBLY, POSTED, STD SEX, SERIES 1, 23-19, CPC | |
| 1 PLC ± - | | APPLICATION SPEC - | SIZE A2 | CAGE CODE 00779 |
| 2 PLC ± - | | WEIGHT - | DRAWING NO C=213782 | RESTRICTED TO - |
| 3 PLC ± .005 | | CUSTOMER DRAWING | SCALE 2:1 | SHEET 1 of 2 |
| 4 PLC ± .0050 | | | | REV H |
| ANGLES ± - | | | | |
| FINISH - | | | | |

THIS DRAWING IS UNPUBLISHED. RELEASED FOR PUBLICATION
 © COPYRIGHT - By - ALL RIGHTS RESERVED.

| REVISIONS | | | | |
|-----------|-----|-------------|------|------|
| P | LTR | DESCRIPTION | DATE | APVD |
| - | - | SEE SHEET 1 | - | - |



RECOMMENDED P.C. BOARD LAYOUT

- 1 NYLON, UL 94V-0 RATED, BLACK.
- 2 STAINLESS STEEL.
- 3 BRASS.
- 4 CONTACT BODY: .000030 MIN GOLD FOR A LENGTH .200 MIN FROM MATING END. GOLD FLASH ON REMAINDER, BOTH OVER .000050 MIN NICKEL.
- 5 CONTACT POST: .000100 MIN TIN-LEAD OVER .000050 MIN NICKEL.
- 6 CONTACT POST: .000100 MIN TIN OVER .000050 MIN NICKEL.
- 7 RECOMMENDED PC BOARD HOLE SIZE FOR CONTACT POST = .035±.003 DIA.
- 8 SELECT LOAD: NO CONTACTS IN POSITIONS 5 AND 6.
- 9 OBSOLETE PARTS: OBSOLETE CIS STREAMLINING PER D.RENAUD/D.SINISI

| | | | | | |
|--|--|-----------------------------|---|--------------------|------------------------|
| THIS DRAWING IS A CONTROLLED DOCUMENT. | | DWN W.LENKER 08/20/93 | | | |
| DIMENSIONS: INCHES | | CHK R.STONE 08/24/93 | | | |
| TOLERANCES UNLESS OTHERWISE SPECIFIED: | | APVD - | NAME | | |
| 0 PLC ± - 1 PLC ± - 2 PLC ± - 3 PLC ± .005 4 PLC ± .0050 ANGLES ± - | | PRODUCT SPEC - | RECEPTACLE ASSEMBLY, POSTED, STD SEX, SERIES 1, 23-19, CPC | | |
| MATERIAL: HOUSING: 1 CONTACT SPRING: 2 CONTACT BODY & POST: 3 | | APPLICATION SPEC - | SIZE A2 | CAGE CODE 00779 | DRAWING NO C-213782 |
| FINISH - | | WEIGHT - | RESTRICTED TO - | SCALE 2:1 | |
| CUSTOMER DRAWING | | SHEET 2 OF 2 | | REV H | |

单击下面可查看定价，库存，交付和生命周期等信息

[>>TE Connectivity\(泰科\)](#)