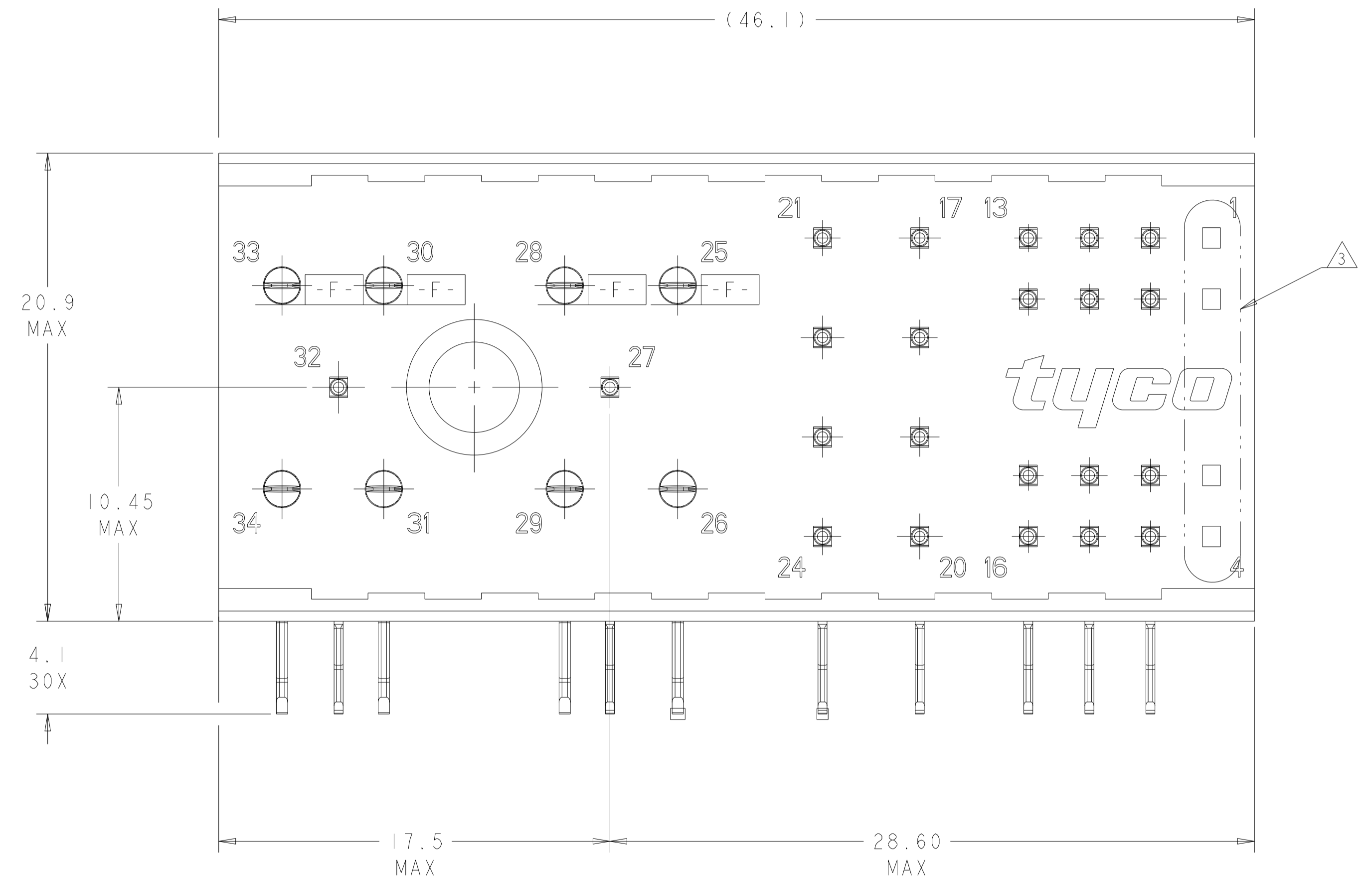
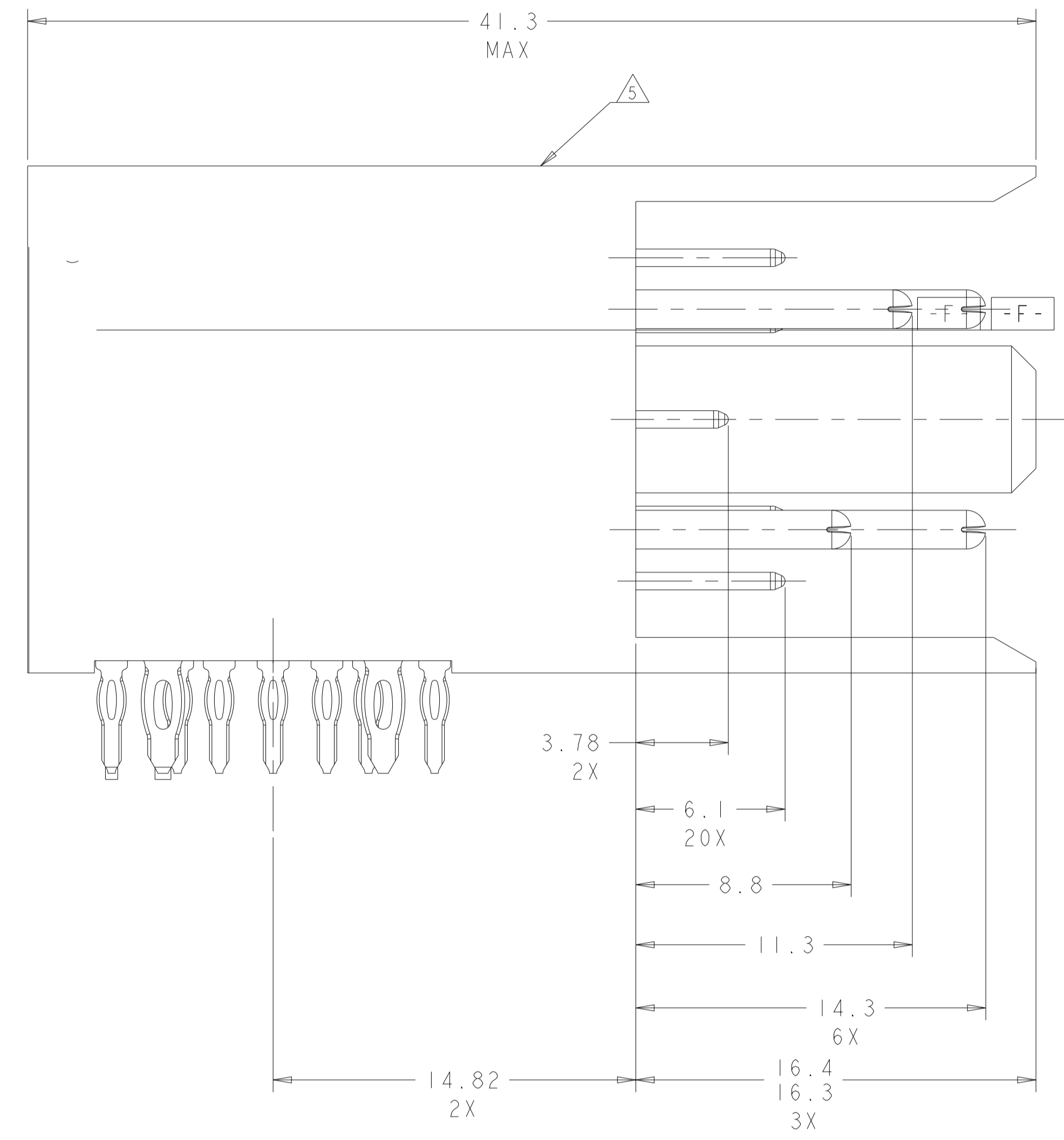


LOC		DIST		REVISIONS			
GP	00	P	LTN	DESCRIPTION	DATE	OWN	APVD
		E1		REVISED PER ECO-11-005033	19MAR2011	RK	HMR
		E2		REMOVE PRELIMINARY MARK	24NOV2011	OL	SZ
		F		REV PER ECR-12-016995	04NOV2012	OL	SZ
		G		OBSOLETE PART -1	10MAY2021	CZ	SH



- 1 MATERIALS:**
 HOUSING: HIGH TEMP THERMOPLASTIC, UL94V-0, GRAY.
 SIGNAL CONTACTS: COPPER ALLOY
 POWER CONTACTS: COPPER ALLOY
- 2 CONTACT FINISH:**
 ALL OVER: 0.00127 MIN NICKEL
 COMPLIANT PIN AREA: 0.00127 MIN TIN
 MATING AREA: 0.00076 MIN GOLD
- 3 POSITIONS 1-4 ARE UNPOPULATED AND RESERVED FOR FUTURE USE.**
- 4 HOLES INDICATED ARE NOT REQUIRED FOR TE CONNECTIVITY PRODUCT.**
- 5 TE CONNECTIVITY PART NUMBER AND DATE CODE (YYWW) LOCATED ON SURFACE INDICATED.**
- 6 DATUM AND BASIC DIMENSION TO BE ESTABLISHED BY CUSTOMER.**
- 7 CONTACT FINISH:**
 ALL OVER: 0.00127 MIN NICKEL
 COMPLIANT PIN AREA: 0.00127 MIN TIN-LEAD
 MATING AREA: 0.00076 MIN GOLD
- 8 CONTACT MATING AREA LUBRICATED WITH BELLCORE APPROVED LUBRICANT.
 TECHNICAL REFERENCE: GR-1217-COR, ISSUE 1, NOVEMBER 1995**
- 9 CONTACT FINISH:**
 ALL OVER: 0.00127 MIN NICKEL
 COMPLIANT PIN AREA: 0.00127 MIN TIN
 MATING AREA: 0.00127 MIN GOLD

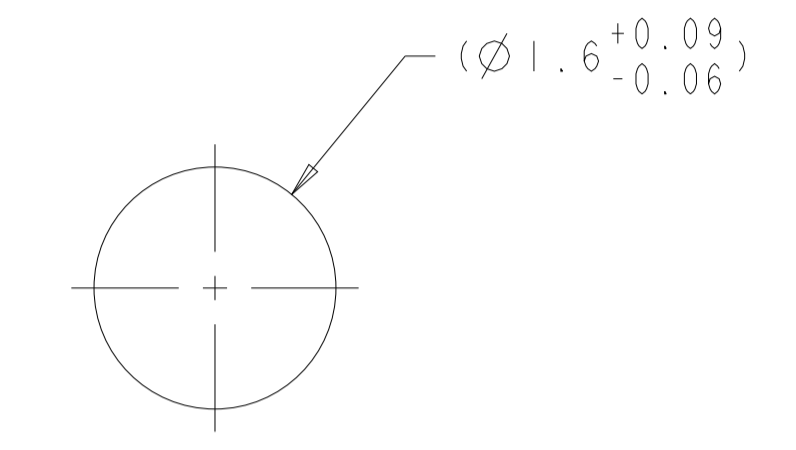
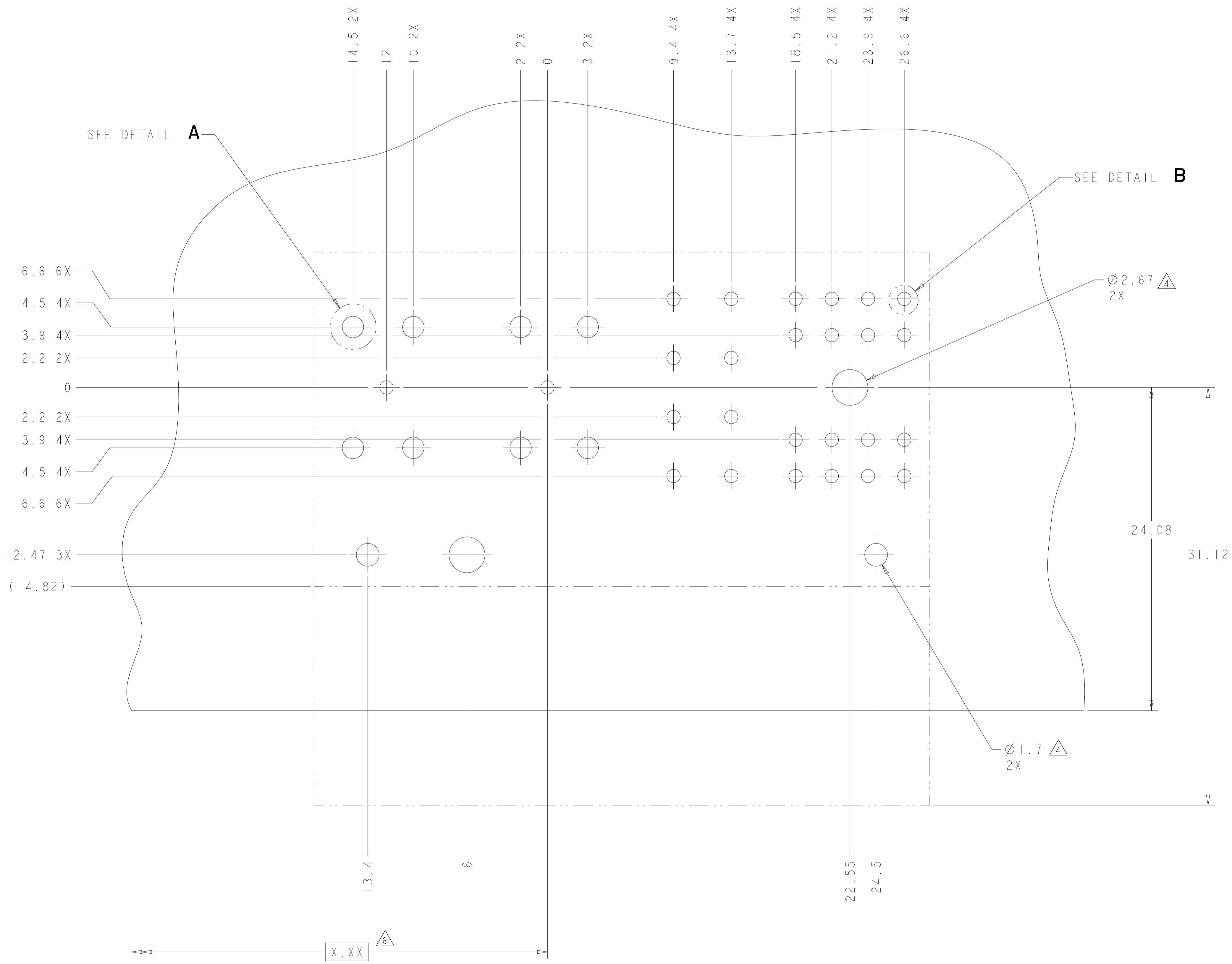
CONTACT POSN	PIN LENGTH
1-4	NOT USED
5-24	6.1
25,26,28-31	14.3
27,32	3.8
33	11.3
34	8.8

STATUS	PLATING	MATING PIN DIAMETER	CONTACT QTY	SIZE NO	TYPE DESIGNATION	PART NO
		Ø0.762	22	22	ZP-A-030M-P2-2B	1766500-3
OBSOLETE		Ø0.762	22	22	ZP-A-030M-P2-2B	1766500-2
OBSOLETE		Ø0.762	22	22	ZP-A-030M-P2-2B	1766500-1

THIS DRAWING IS A CONTROLLED DOCUMENT.		OWN	ZOMAY2005
DIMENSIONS:		CHK	21AUG2006
mm		APVD	21AUG2006
TOLERANCES UNLESS OTHERWISE SPECIFIED:		NAME	
0 PLC	±0.5	M. McALONIS	
1 PLC	±0.13	PRODUCT SPEC	
2 PLC	±0.013	108-2216	
3 PLC	±0.013	APPLICATION SPEC	
4 PLC	±0.001	114-13156	
ANGLES	±0.0001	WEIGHT	
FINISH	±	Customer Drawing	

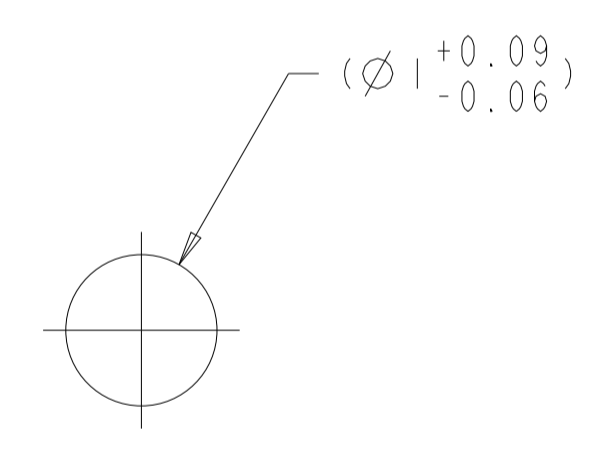
MATERIAL		SCALE		SHEET		REV	
1		6:1		1 OF 2		G	

LOC	DIST	REVISIONS					
GP	00	P	LTN	DESCRIPTION	DATE	DWN	APVD
		-		SEE SHEET 1			



DETAIL A
 SCALE 20:1
 8X (SIZE 16)

FINISHED HOLE: $\varnothing 1.6^{+0.09}_{-0.06}$
 DRILLED HOLE: $\varnothing 1.75 \pm 0.025$
 COPPER PLATE: 0.025 MIN (PER SURFACE)
 TIN PLATE: 0.008 MIN (PER SURFACE)



DETAIL B
 SCALE 20:1
 26X (SIZE 22)

FINISHED HOLE: $\varnothing 1^{+0.09}_{-0.06}$
 DRILLED HOLE: $\varnothing 1.15 \pm 0.025$
 COPPER PLATE: 0.025 MIN (PER SURFACE)
 TIN PLATE: 0.008 MIN (PER SURFACE)

RECOMMENDED PCB LAYOUT
 VIEWED FROM CONNECTOR SIDE

THIS DRAWING IS A CONTROLLED DOCUMENT.		DWN HAMNER 20MAY2005	TE Connectivity
DIMENSIONS: mm		CHK M. McALONIS 21AUG2006	
0 PLC ± 1 PLC ±0.5 2 PLC ±0.13 3 PLC ±0.013 4 PLC ±0.001 ANGLES ± FINISH	TOLERANCES UNLESS OTHERWISE SPECIFIED:	NAME ASSEMBLY, RT ANGLE, AdvancedTCA	
	MATERIAL	WEIGHT	SIZE CAGE CODE DRAWING NO. RESTRICTED TO
Customer Drawing		A100779C=1766500	SCALE 6:1 SHEET 2 OF 2 REV G

单击下面可查看定价，库存，交付和生命周期等信息

[>>TE Connectivity\(泰科\)](#)