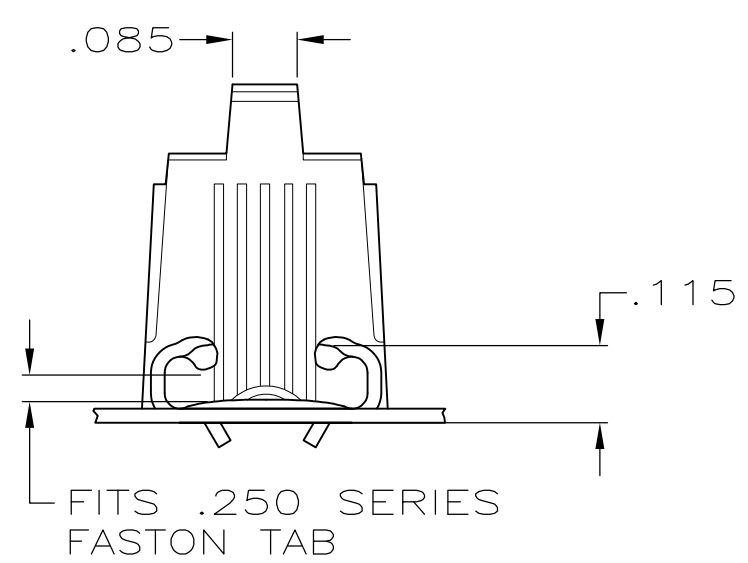
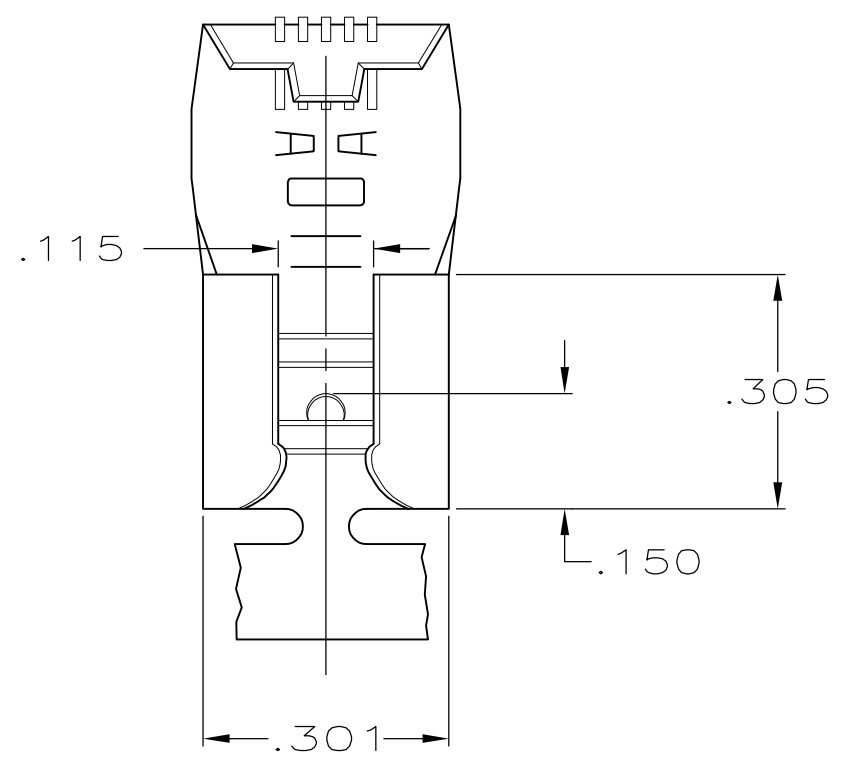


THIS DRAWING IS UNPUBLISHED. RELEASED FOR PUBLICATION
 © COPYRIGHT - By - ALL RIGHTS RESERVED.

LOC	DIST	REVISIONS			
P	LTR	DESCRIPTION	DATE	DWN	APVD
AF	50	J	REVISED PER ECR-12-013459	28NOV2012	KH PD

- 1 CONTINUOUS STRIP ON REELS.
- 2 REREELING FROM PN 62011-1, REFER TO TEC-107-3, FIG 247



12-10 OR (2) #14	.032 ±.001	---	BRASS	△ 62011-3
12-10 OR (2) #14	.032 ±.001	PRE-TIN	BRASS	62011-2
12-10 OR (2) #14	.032 ±.001	---	BRASS	62011-1
WIRE SIZE	TAB THK	FINISH	MATERIAL	PART NO

THIS DRAWING IS A CONTROLLED DOCUMENT.		DWN JR RUTH 2/3/86	STE TE Connectivity														
DIMENSIONS: INCHES		CHK MS FEHER 2/3/86															
TOLERANCES UNLESS OTHERWISE SPECIFIED:		APVD C MEYERS 2/5/86	NAME RECEPTACLE, FASTON, FLAG, .250 SERIES														
<table border="1"> <tr><td>0 PLC</td><td>± -</td></tr> <tr><td>1 PLC</td><td>± -</td></tr> <tr><td>2 PLC</td><td>± -</td></tr> <tr><td>3 PLC</td><td>± .015</td></tr> <tr><td>4 PLC</td><td>± -</td></tr> <tr><td>ANGLES</td><td>± -</td></tr> </table>		0 PLC	± -	1 PLC	± -	2 PLC	± -	3 PLC	± .015	4 PLC	± -	ANGLES	± -	PRODUCT SPEC ---	APPLICATION SPEC ---		
0 PLC	± -																
1 PLC	± -																
2 PLC	± -																
3 PLC	± .015																
4 PLC	± -																
ANGLES	± -																
MATERIAL SEE TABLE	FINISH SEE TABLE	WEIGHT 0.89	SIZE A3	CAGE CODE 00779	DRAWING NO C-62011												
CUSTOMER DRAWING			SCALE NTS	SHEET 1 OF 1	REV K												

单击下面可查看定价，库存，交付和生命周期等信息

[>>TE Connectivity\(泰科\)](#)