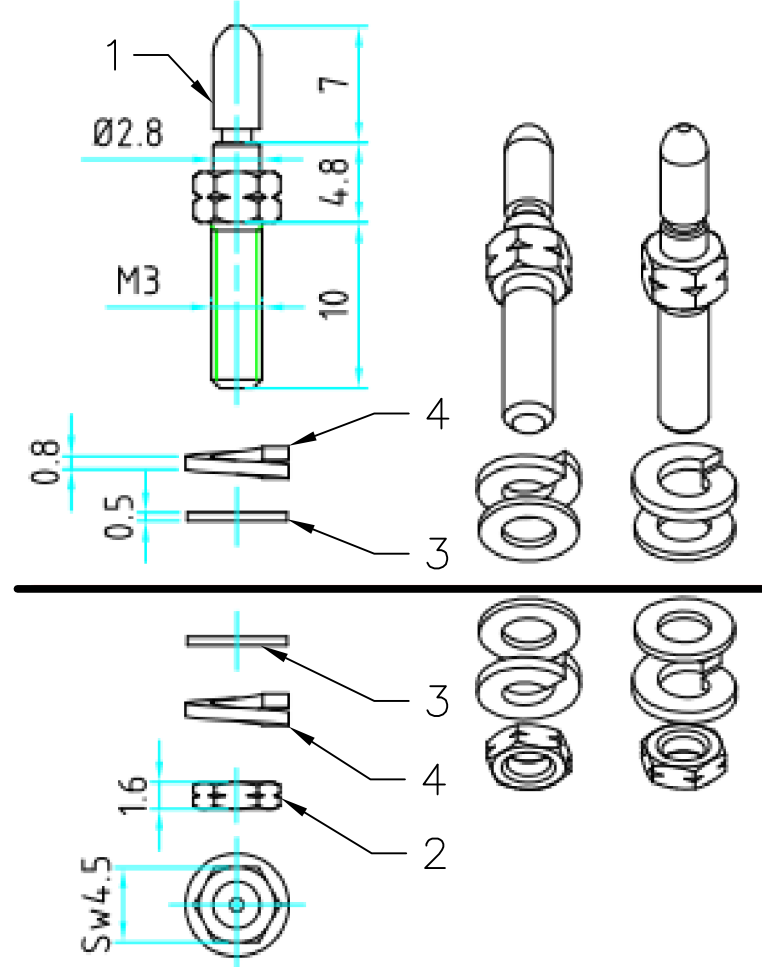


THIS DRAWING IS UNPUBLISHED. RELEASED FOR PUBLICATION
 © COPYRIGHT - By - ALL RIGHTS RESERVED.

PROJECT	PRJ-16-000909157
PART NO.	1-2308290-1
DESCRIPTION	QL-SET FOR MODEL C VW REAR WALL MOUNTING
CUSTOMER	GENERAL MARKET

REVISIONS				
P	LTR	DESCRIPTION	DATE	APVD
	A1	REVISED PER ECR-16-013123	19SEP2016	KK GG

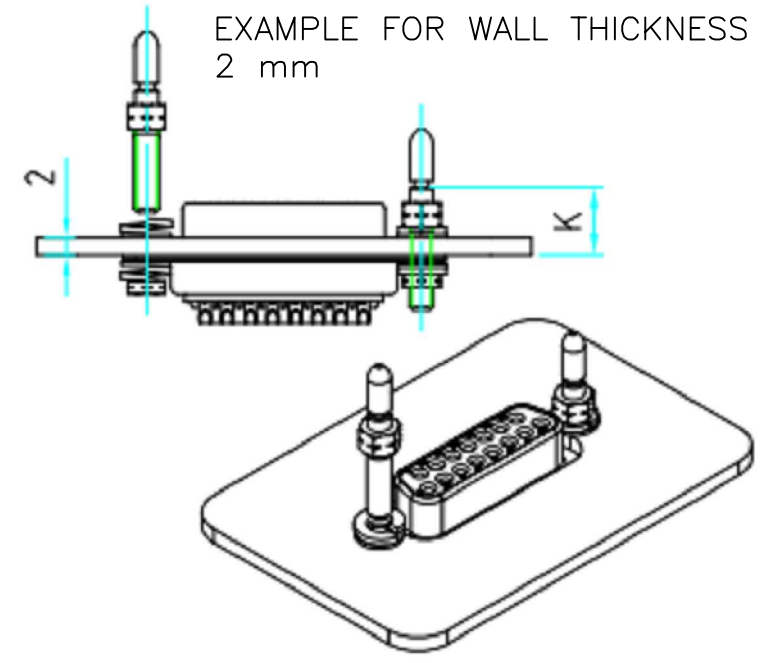


FRONT SIDE (SEE TAB)
 REAR SIDE

ACCESSORIES FROM THE FRONT SIDE

WALL THICKNESS, mm	PART TO BE USED
1.7-2.0	
2.2-2.5	
2.5-2.8	
3.0-3.3	-

- NOTES:
- DIMENSION SHALL REMAIN IN THE RANGE OF 7.8-8.1 MM.
 - WEIGHT: 4 g
 - FINISHING PROCESS: LATCH PIN Cu2/Sn4.



4	4	1-2308290-1	SPRING WASHER B3 DIN 127 STAINLESS STEEL
3	4		DISC WASHER A3 DIN 433 STAINLESS STEEL
2	2		NUT
1	2		LATCH PIN 36 (METRIC) (P/N 4-2308352-6)
SL NO.	QTY	ASSY. PART NO.	DESCRIPTION

THIS DRAWING IS A CONTROLLED DOCUMENT.		DWN KIRAN K 28JUL2016	TE Connectivity	
		CHK GUNASEKHAR G 28JUL2016		
DIMENSIONS: mm		APVD GUNASEKHAR G 28JUL2016	NAME QL-SET FOR VARIANT C VW REAR WALL MOUNTING	
TOLERANCES UNLESS OTHERWISE SPECIFIED: DIN ISO 2768 m		PRODUCT SPEC	SIZE A3	
0 PLC ± - 1 PLC ± - 2 PLC ± - 3 PLC ± - 4 PLC ± - ANGLES ± -		APPLICATION SPEC	CAGE CODE 00779	DRAWING NO C-2308290
MATERIAL		WEIGHT	RESTRICTED TO	
			-	
CUSTOMER DRAWING			SCALE NTS	SHEET 1 of 1
			REV A1	

单击下面可查看定价，库存，交付和生命周期等信息

[>>TE Connectivity\(泰科\)](#)