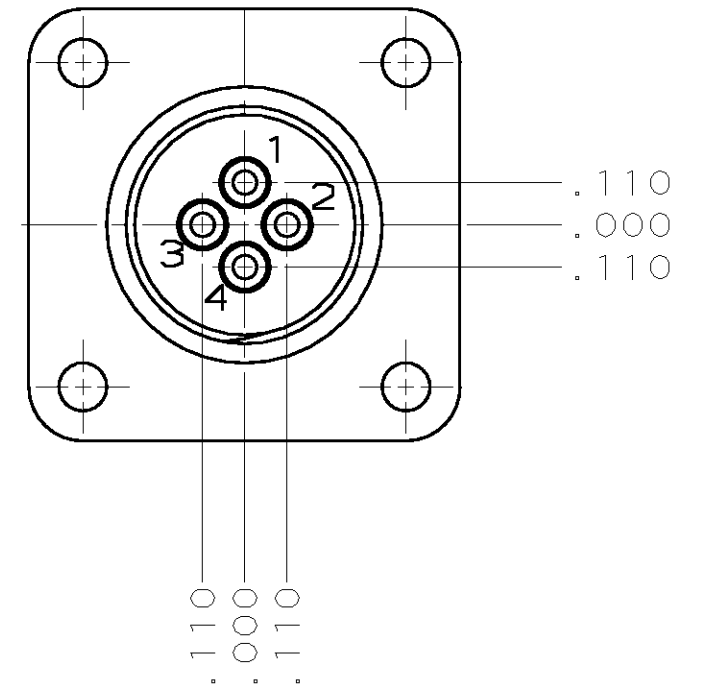
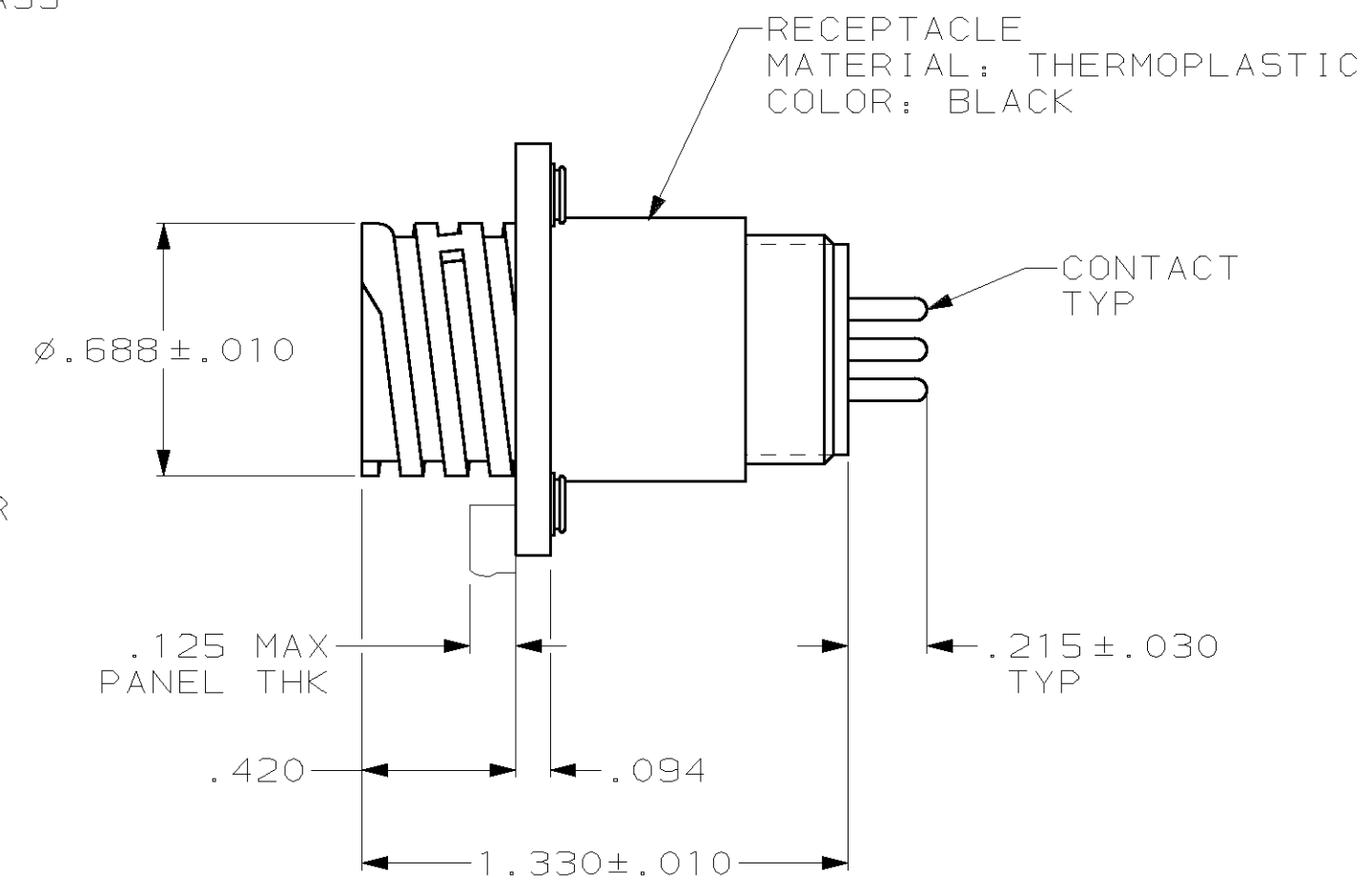
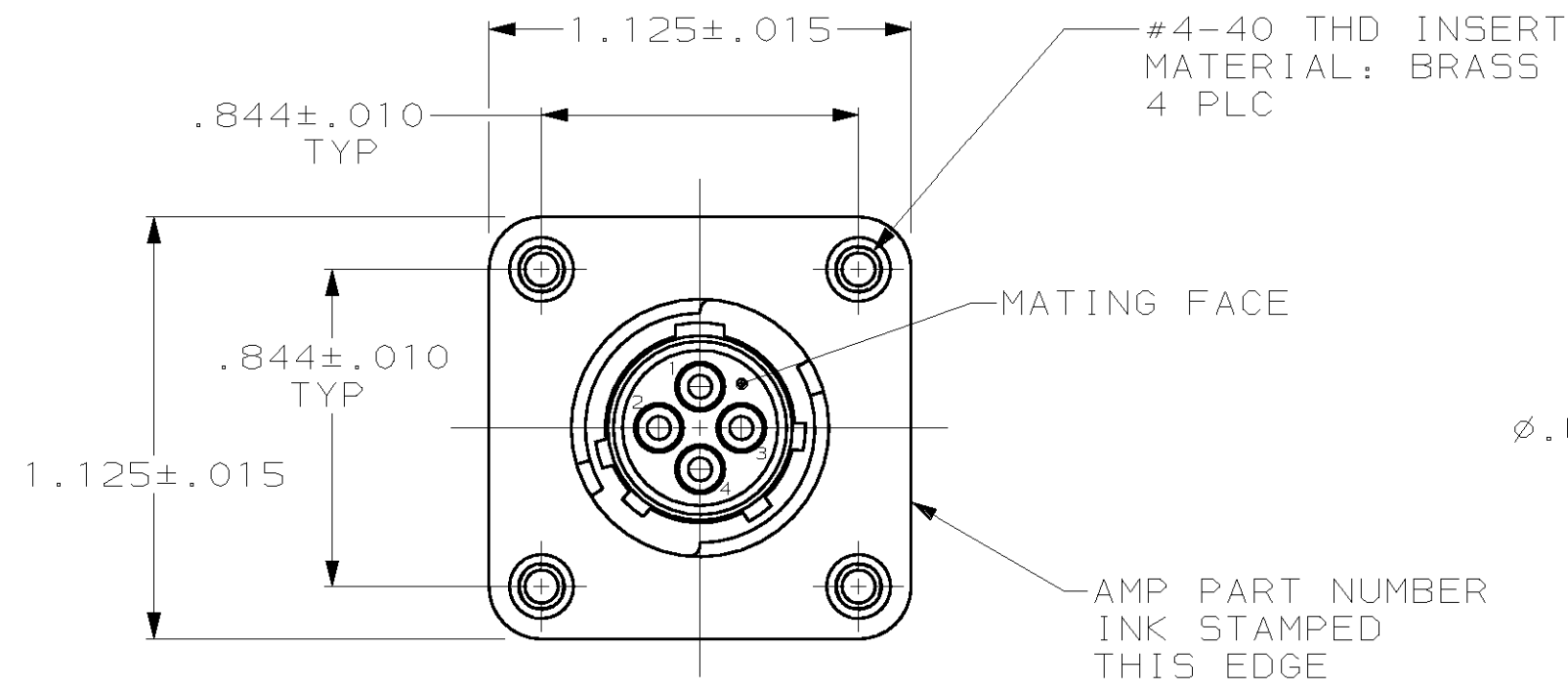


THIS DRAWING IS UNPUBLISHED. RELEASED FOR PUBLICATION .19
 BY AMP INCORPORATED. ALL RIGHTS RESERVED.

LOC	DIST	REVISIONS			
P	LTR	DESCRIPTION	DATE	DWN	APVD
FT	0	A	RELEASED PER ECN 063B-0027-01	24JAN01	SU MC

- 1. RECEPTACLE IS LOADED WITH FOUR SIZE 16, HIGH CURRENT POSTED CONTACTS.
- 2. FINISH: SILVER PLATE .0002-.0004 IN PER AMP SPEC 112-32-1 OVER .00005-.00015 IN NICKEL PER AMP SPEC 112-25-2.



796764-1
PART NUMBER

THIS DRAWING IS A CONTROLLED DOCUMENT.		DWN S.URICH 24JAN01	AMP Incorporated Harrisburg, PA 17105-3608
DIMENSIONS: INCHES		CHK M.CHACKO 24JAN01	
TOLERANCES UNLESS OTHERWISE SPECIFIED:		APVD S.WELDON 24JAN01	
0 PLC ±- 1 PLC ±- 2 PLC ±- 3 PLC ±.005 4 PLC ±- ANGLES ±- FINISH		NAME RECEPTACLE ASSEMBLY, POSTED, STD SEX, SERIES 1, 11-4, CPC	
MATERIAL SEE CALLOUT		CONTACT 2	SIZE A2 CAGE CODE 00779 DRAWING NO C-796764 RESTRICTED TO WEIGHT - SCALE 2:1 SHEET 1 OF 1 REV A CUSTOMER DRAWING

796764

单击下面可查看定价，库存，交付和生命周期等信息

[>>TE Connectivity\(泰科\)](#)