

4

3

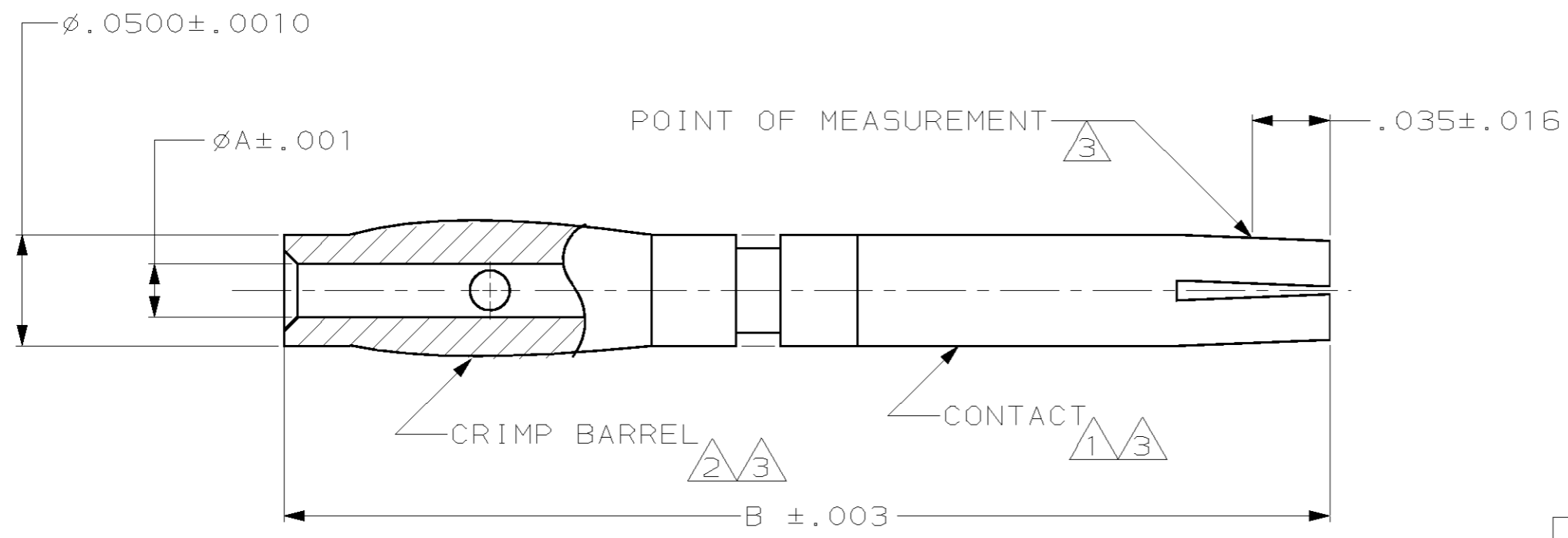
2

1

THIS DRAWING IS UNPUBLISHED. RELEASED FOR PUBLICATION, 19 .
 © COPYRIGHT 19 BY AMP INCORPORATED. ALL RIGHTS RESERVED.

LOC	DIST	REVISIONS			
P	LTR	DESCRIPTION	DATE	DWN	APVD
		0	RELEASE PER 0U20-0533-00	20SEP00	MO JH

- ① BERYLLIUM COPPER PER ASTM-B-196.
- ② BRASS PER ASTM-B-453 OR ASTM-B-16.
- ③ PLATED WITH .000050 GOLD PER MIL-G-45204 OVER .000050 NICKEL PER QQ-N-290.



.476	.038	225546-4
.479	.042	225546-3
.463	.016	225546-2
.465	.024	225546-1
B	ϕA	PART NUMBER

THIS DRAWING IS A CONTROLLED DOCUMENT.		DWN M. O'BRINE 20SEP00	AMP AMP Incorporated Harrisburg, PA 17105-3608												
DIMENSIONS: INCHES		CHK J. HAVENER 20SEP00													
TOLERANCES UNLESS OTHERWISE SPECIFIED:		APVD J. HAVENER 20SEP00	NAME CONTACT ASSY, SMA												
<table border="0"> <tr><td>0 PLC</td><td>±-</td></tr> <tr><td>1 PLC</td><td>±-</td></tr> <tr><td>2 PLC</td><td>±-</td></tr> <tr><td>3 PLC</td><td>±-</td></tr> <tr><td>4 PLC</td><td>±-</td></tr> <tr><td>ANGLES</td><td>±-</td></tr> </table>		0 PLC	±-	1 PLC	±-	2 PLC	±-	3 PLC	±-	4 PLC	±-	ANGLES	±-	PRODUCT SPEC -	SIZE A3
0 PLC	±-														
1 PLC	±-														
2 PLC	±-														
3 PLC	±-														
4 PLC	±-														
ANGLES	±-														
MATERIAL ① ②		APPLICATION SPEC -	CAGE CODE 00779												
FINISH ③		WEIGHT -	DRAWING NO C- 225546												
CUSTOMER DRAWING			RESTRICTED TO -												
SCALE 15:1			SHEET 1 OF 1												
REV 0															

单击下面可查看定价，库存，交付和生命周期等信息

[>>TE Connectivity\(泰科\)](#)