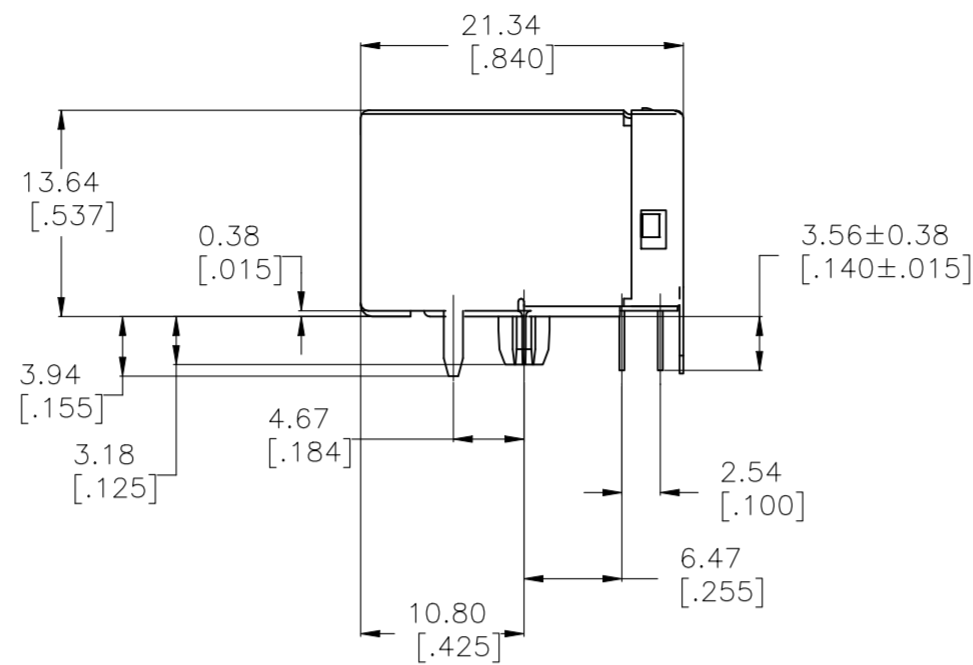
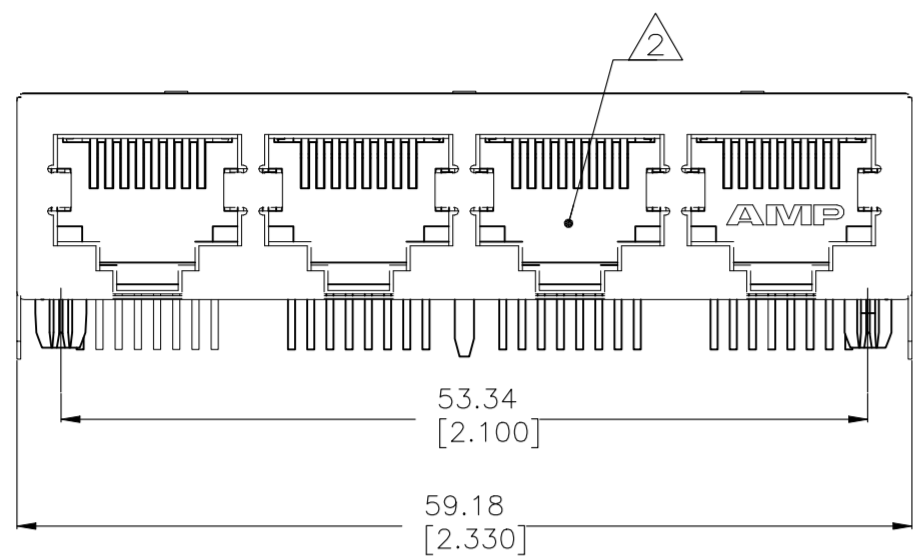


REVISIONS					
P	LTR	DESCRIPTION	DATE	DWN	APVD
B1		ECR-19-014657	13DEC2020	RR	SZ



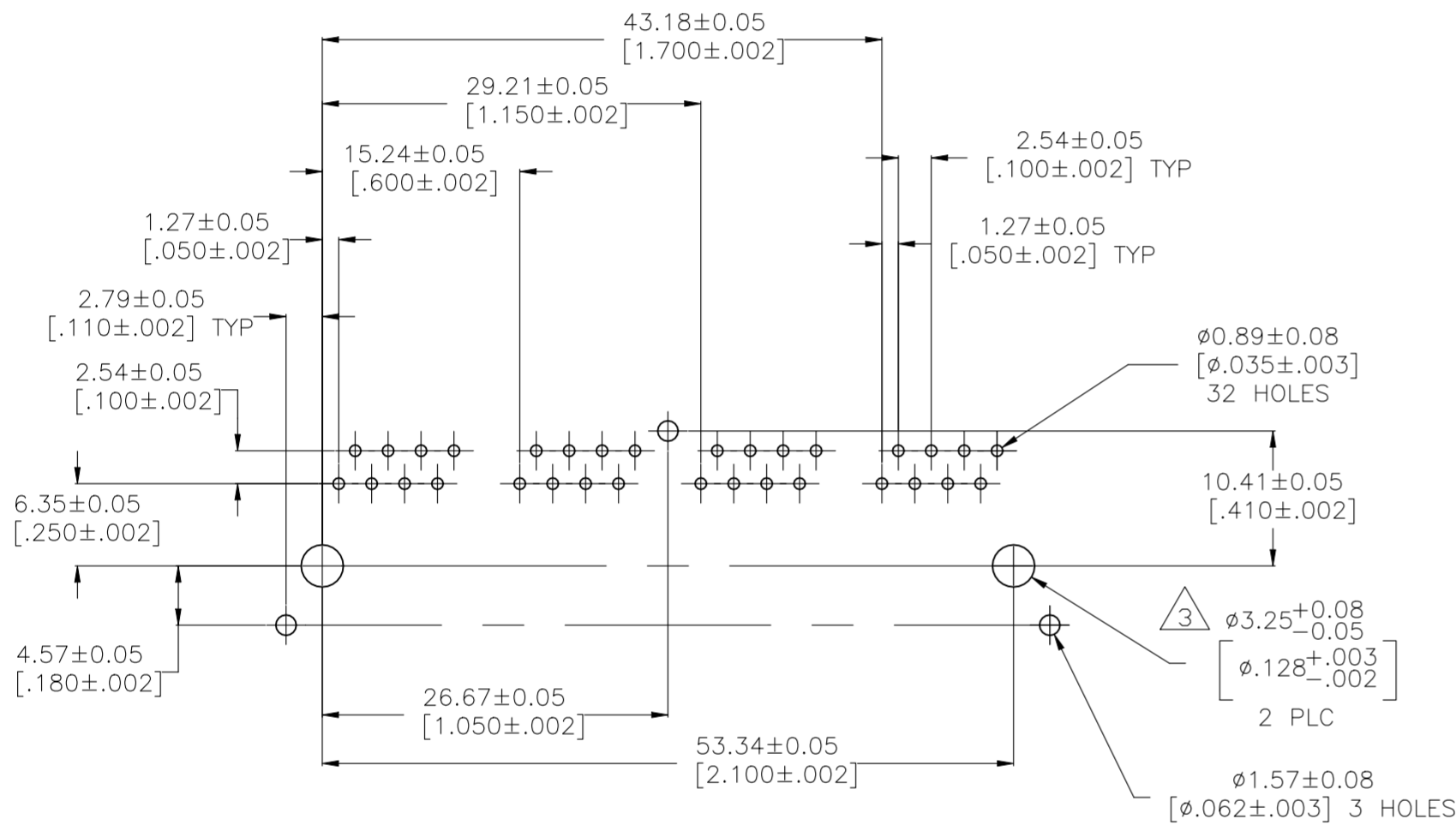
- MATERIAL: HOUSING - NYLON, COLOR: BLACK, UL 94V-0. OVERMOLDED TERMINAL ARRAY - PBT, BROWN. TERMINALS - 0.33[.013] THICK PHOS BRONZE PLATED WITH 1.27µm[.000050] MINIMUM HARD GOLD IN LOCALIZED AREA AND 3.81µm[.000150] MINIMUM TIN-LEAD IN SOLDER AREA OVER 1.27µm[.000050] MINIMUM NICKEL UNDERPLATE. SHIELD - 0.254[.010] THICK COPPER ALLOY PLATED WITH 2.03µm[.000080] MINIMUM THICK BRIGHT TIN OVER 1.27µm[.000050] MINIMUM NICKEL



JACK CAVITY CONFORMS TO FCC RULES AND REGULATIONS, PART 68 SUBPART F.



USE #30 DRILL BIT OR 3.25mm DRILL BIT WHEN PRODUCING THESE PCB HOLES.



RECOMMENDED PC BOARD LAYOUT  
COMPONENT SIDE  
SEE APPLICATION SPECIFICATION

6116528-1  
PART NUMBER

THIS DRAWING IS A CONTROLLED DOCUMENT.		DWN L. VARELA - DOCK5	TE Connectivity	
DIMENSIONS: mm [INCHES]		CHK J. WESTMAN		
TOLERANCES UNLESS OTHERWISE SPECIFIED:		APVD S. FLICKINGER	PRODUCT SPEC	MODULAR JACK ASSY, 8 POSN, 4 P, R/A, LOW PROFILE, SHIELDED, PCB GROUND, CAT 5e
0 PLC ± - 1 PLC ± - 2 PLC ± 0.25[.01] 3 PLC ± 0.13[.005] 4 PLC ± - ANGLES ± -		APPLICATION SPEC	108-1163-2	
MATERIAL SEE NOTE 1		FINISH SEE NOTE 1	114-2048	RESTRICTED TO
		WEIGHT 0.000000	SCALE A2 00779 C=6116528	REV B1
		CUSTOMER DRAWING	SCALE 2:1	SHEET 1 OF 1

单击下面可查看定价，库存，交付和生命周期等信息

[>>TE Connectivity\(泰科\)](#)