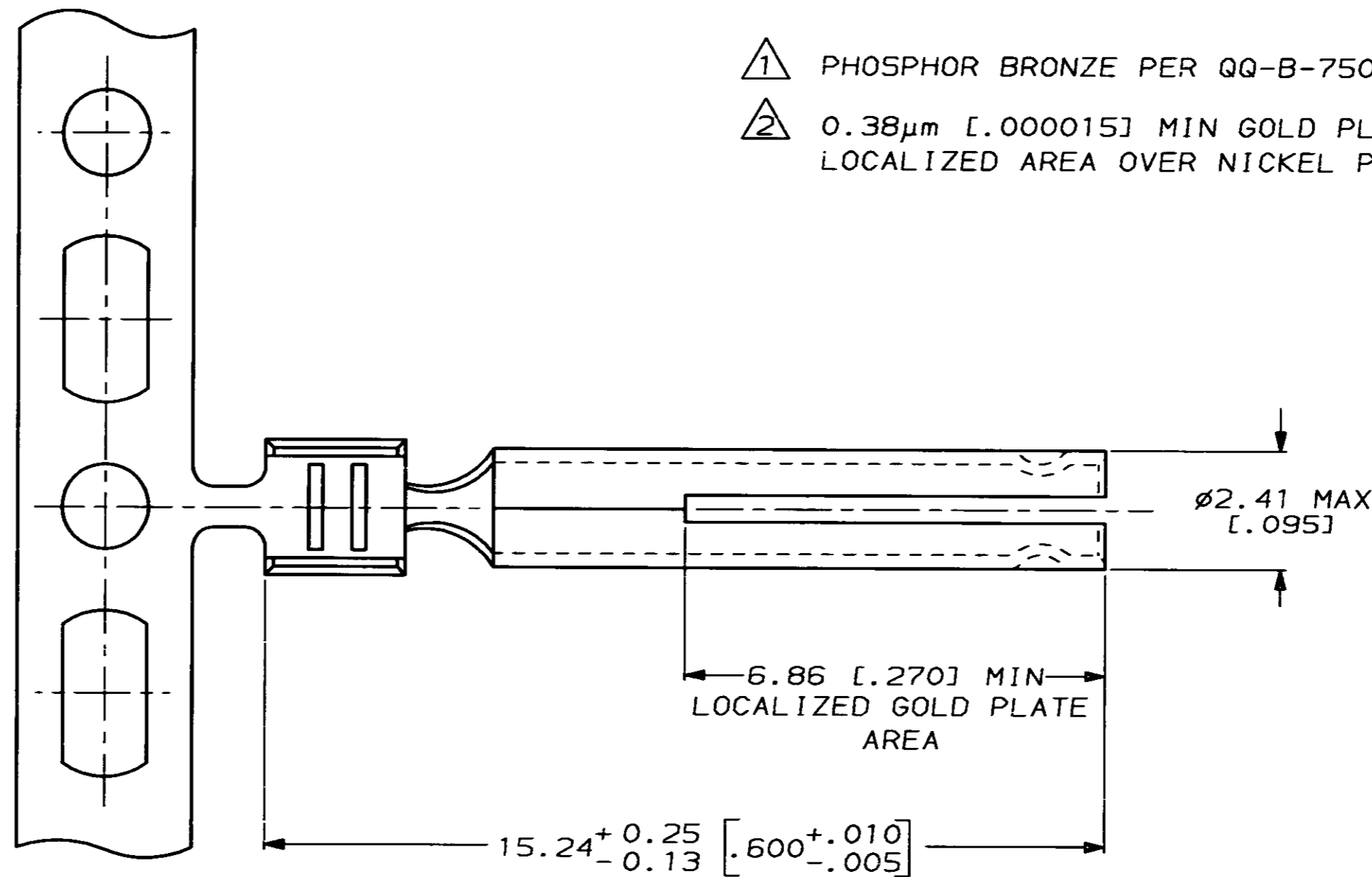
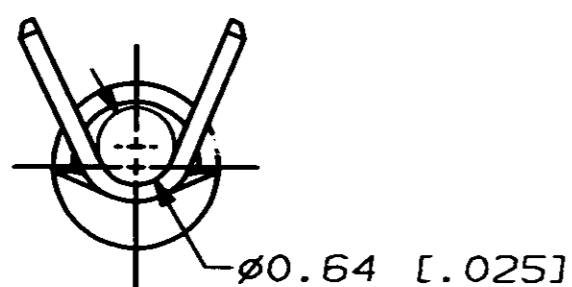


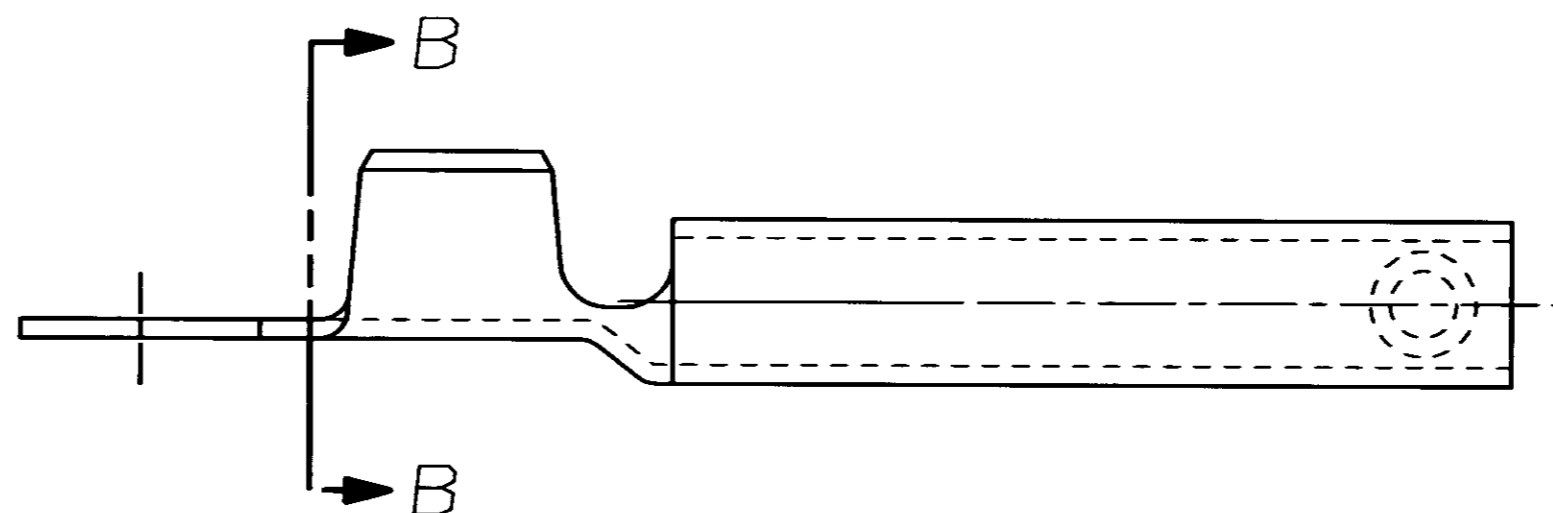
LOC	DIST	P	F	ZONE	LTR	DESCRIPTION	DATE	APPD
AJ	16					REL PER 92-3338-015	12-2-92	MS
						REVISIIONS		
						A REVISED PER 0220-0088-93	8-24-93	JG



- ① PHOSPHOR BRONZE PER QQ-B-750
- ② 0.38μm [.000015] MIN GOLD PLATE MIL-G-45204 IN LOCALIZED AREA OVER NICKEL PLATE QQ-N-290



SECTION B-B



414478-2  
 PART NUMBER

DO NOT SCALE PRINT. UNLESS SPECIFIED DIMENSIONS IN INCHES TOLERANCES ON: 2 PLC DEC ± - 3 PLC DEC ± 0.20 [.008] ANGLES ± -		DR M. SNEED 6-4-92	AMP INCORPORATED Harrisburg, Pa. 17105		
MATERIAL ①		CHK J. DUNBAR 6-4-92			
FINISH ②		APPD J. DUNBAR 12-2-92	NAME CONTACT, JACK, MINIATURE UHF		
		APPD M. SNEED 12-2-92	SIZE C	CAGE CODE 00779	DRAWING NO 414478
		PRODUCT SPEC -	SCALE 10:1	SHEET 1 OF 1	
		APPLICATION SPEC -			
		WEIGHT -			

单击下面可查看定价，库存，交付和生命周期等信息

[>>TE Connectivity\(泰科\)](#)