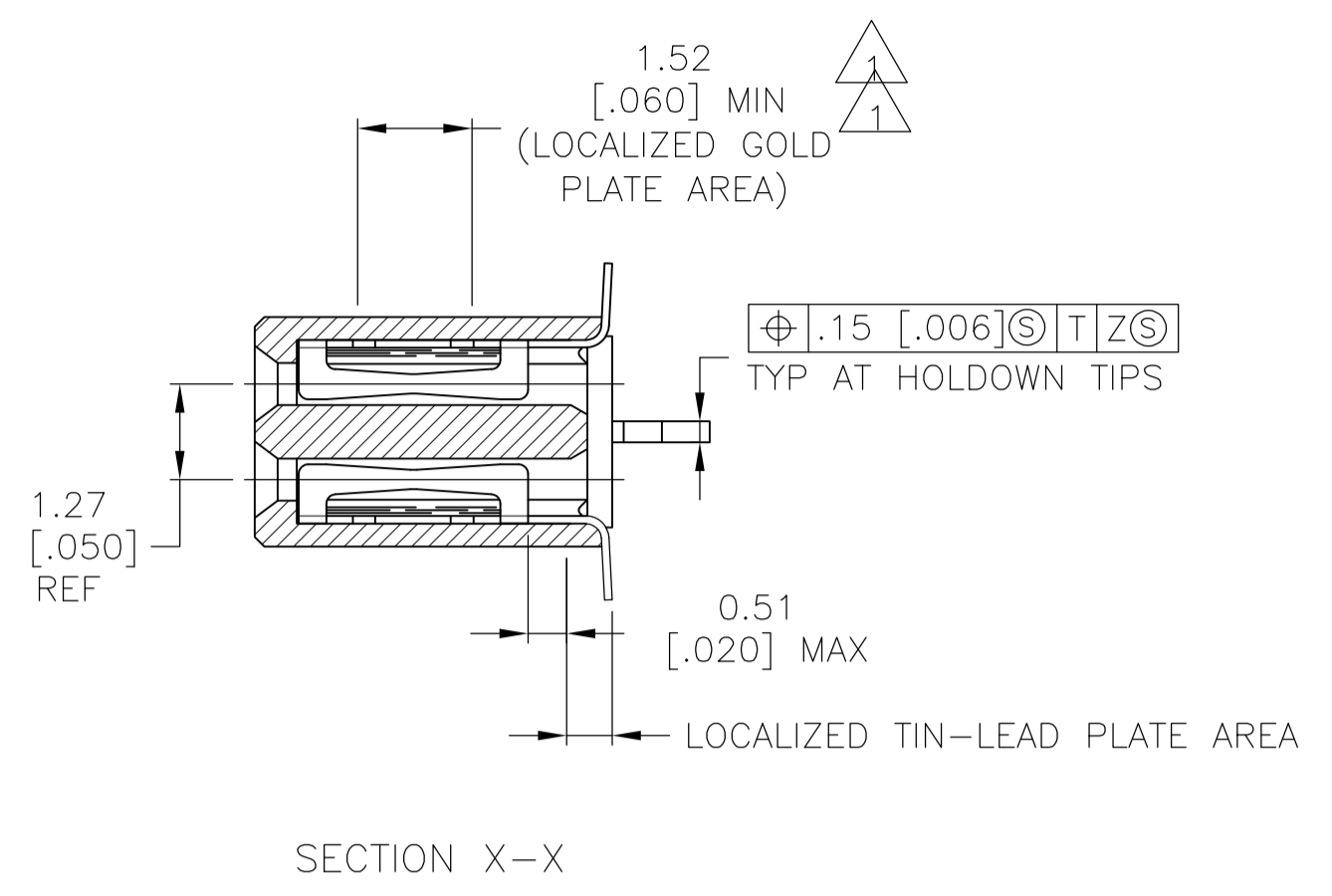
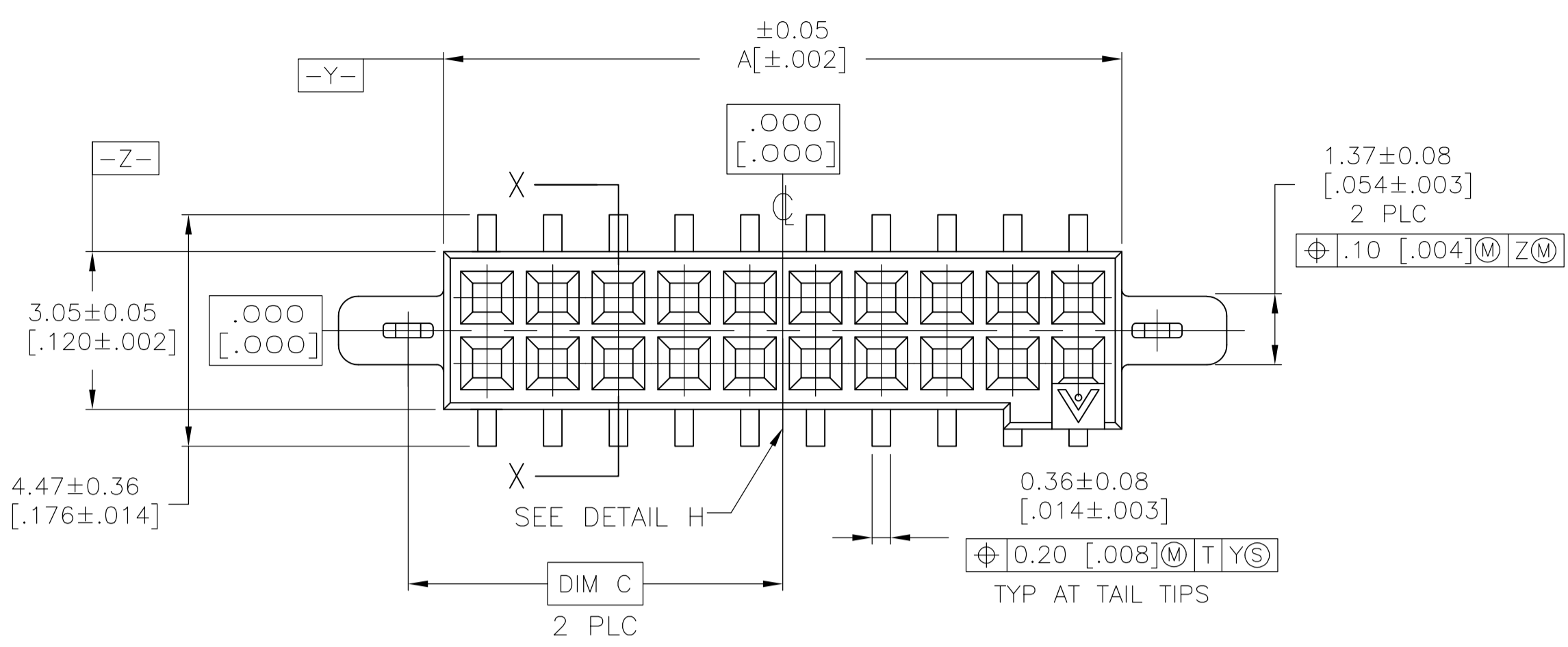
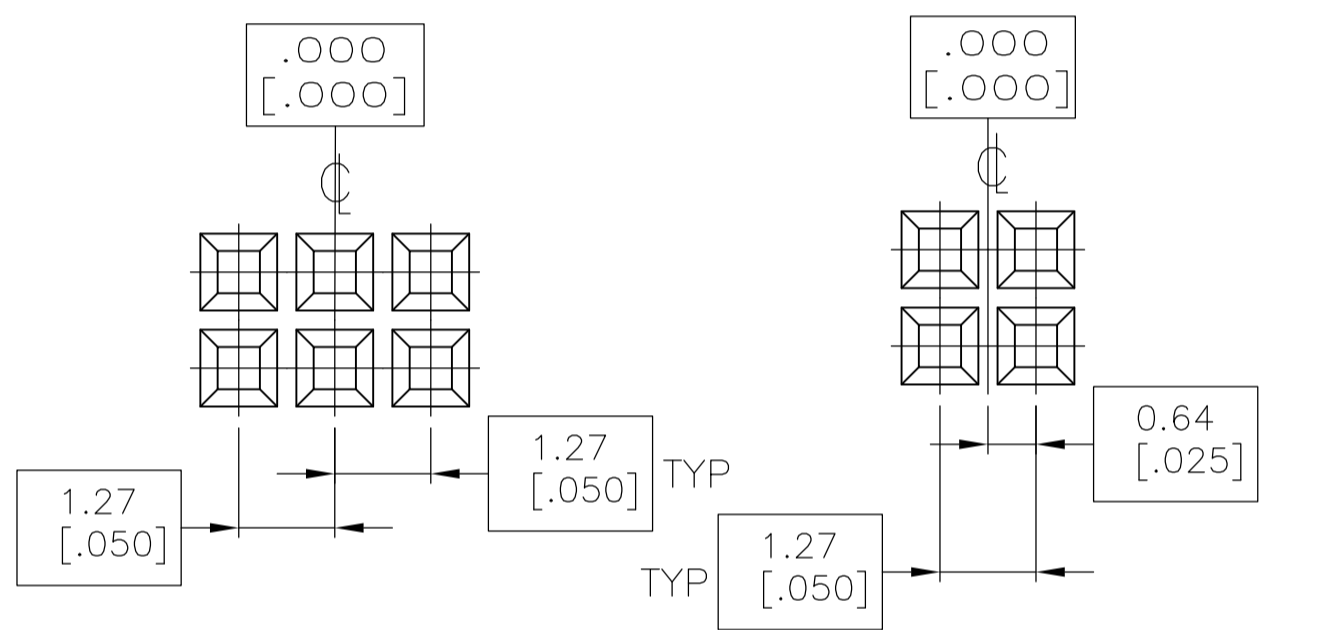
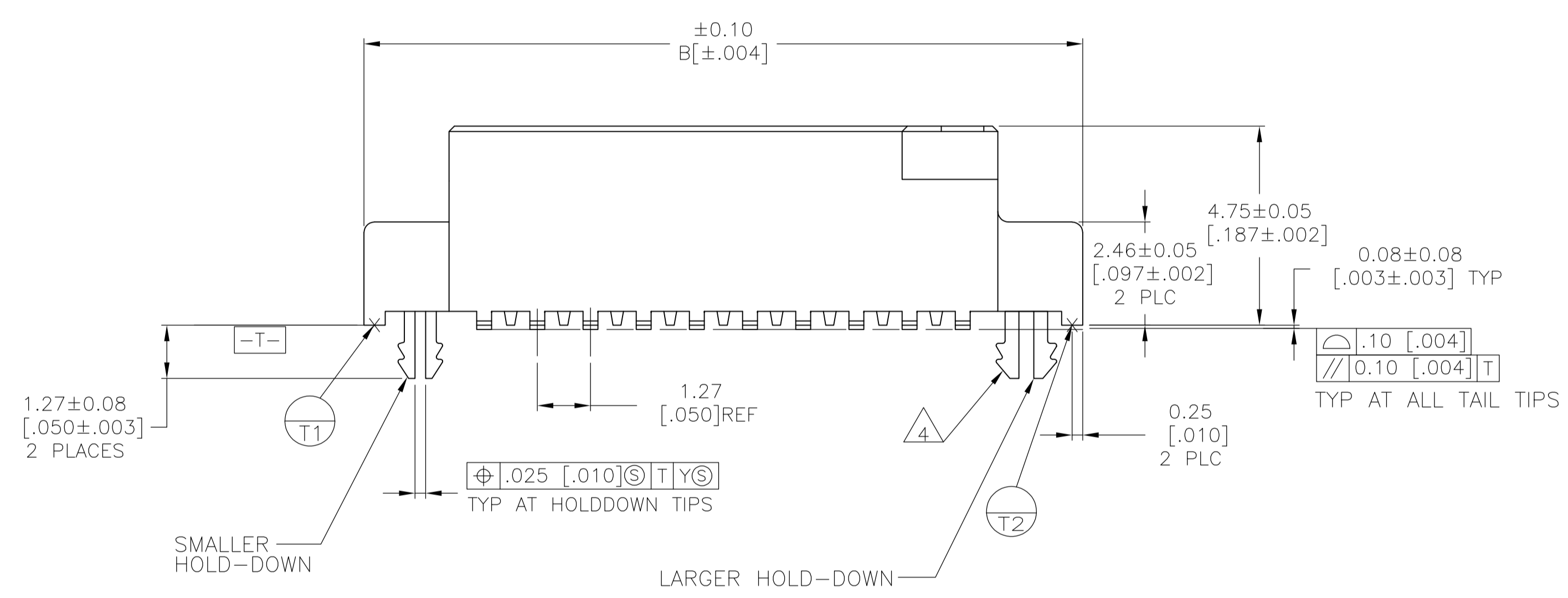


LOC	DIST	REVISIONS			
F	LTR	DESCRIPTION	DATE	DMN	APVD
N	EC	OG3C 0697 04	23NOV04	BSV	DLS
N1		REVISED PER ECO-09-020689	31AUG09	KK	AEG

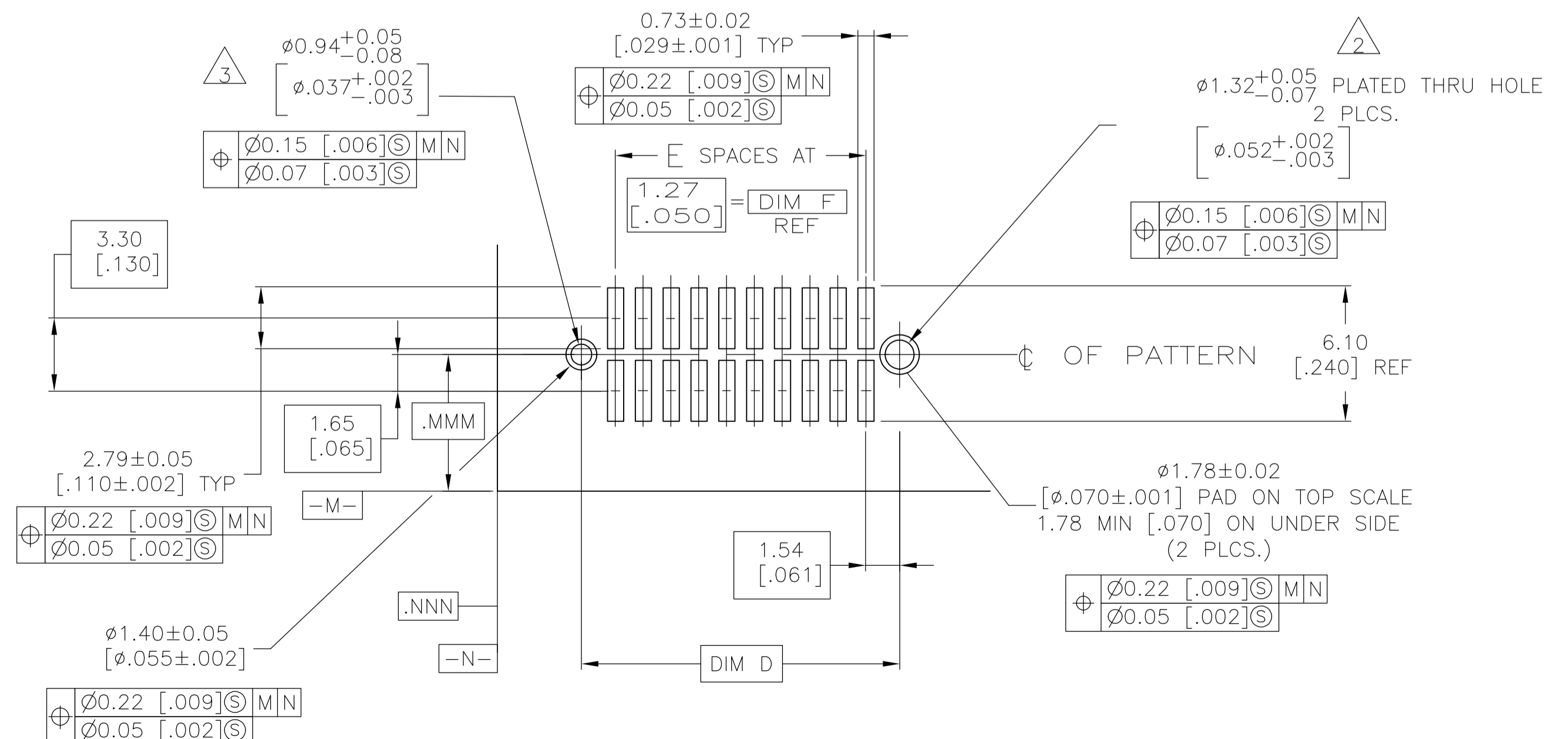


- 1 0.00076 [0.000030] GOLD IN LOCALIZED PLATE AREA
0.00381 [0.000150] TIN-LEAD ON SOLDER TAILS
ALL OVER 0.00127 [0.000050] NICKEL
- 2 USE 1.510±0.025[0.0595±0.0010] DRILLED HOLE (#53 DRILL)
FINISH TO BE TIN/LEAD OVER 0.02 [0.001] MIN COPPER
- 3 USE 1.070±0.025[0.0420±0.0010] DRILLED HOLE (#58 DRILL)
FINISH TO BE TIN/LEAD OVER 0.02 [0.001] MIN COPPER
- 4 PLATING: 0.0038 [0.000150] TIN-LEAD OVER 0.00127 [0.000050] NICKEL
- 5. IF PLANNING TO USE MORE THAN ONE MATING PAIR OF CONNECTORS
TO INTERCONNECT 2 BOARDS, PLEASE REFER TO PARA. 3.3 IN THE
APPLICATION SPEC, #114-7010
- 6 HOUSING: LCP, COLOR:BLACK.
CONTACT: COPPER ALLOY PER ASTM SPECIFICATION B422.
HOLDDOWN: COPPER ALLOY PER ASTM SPECIFICATION B194.
- 7 0.00076 (0.000030) GOLD IN LOCALIZED PLATE AREA, 0.00381
(0.000150) MIN TIN ON SOLDER TAILS, ALL OVER 0.00127
(0.000050) NICKEL.
- 8 OBSOLETE PARTS: OBSOLETE CIS STREAMLINING PER D.RENAUD/D.SINISI



BASIC DIMENSIONS FOR
EVEN NO OF SPACES
(SEE TABLE)

BASIC DIMENSIONS FOR
ODD NO OF SPACES
(SEE TABLE)



RECOMMENDED BOARD LAYOUT
SCALE 5:1

NO OF POS	PART NUMBER	A	B	C	D	E	F REF
60	5-104786-6	36.83 [1.450]	39.88 [1.570]	19.940 [0.785]	42.57 [1.676]	38.51 [1.516]	
100	1-104786-0	62.23 [2.450]	65.28 [2.570]	32.640 [1.285]	67.97 [2.676]	63.91 [2.516]	
90	104786-9	55.88 [2.200]	58.93 [2.320]	29.46 [1.160]	61.62 [2.426]	57.56 [2.266]	
80	104786-8	49.53 [1.950]	52.58 [2.070]	26.290 [1.035]	55.27 [2.176]	51.21 [2.016]	
70	104786-7	43.18 [1.700]	46.23 [1.820]	23.11 [0.910]	48.92 [1.926]	44.86 [1.766]	
60	104786-6	36.83 [1.450]	39.88 [1.570]	19.940 [0.785]	42.57 [1.676]	38.51 [1.516]	
50	104786-5	30.48 [1.200]	33.53 [1.320]	16.76 [0.660]	36.22 [1.426]	32.16 [1.266]	
40	104786-4	24.13 [0.950]	27.18 [1.070]	13.590 [0.535]	29.87 [1.176]	25.81 [1.016]	
30	104786-3	17.78 [0.700]	20.83 [0.820]	10.41 [0.410]	23.52 [0.926]	19.46 [0.766]	
20	104786-2	11.43 [0.450]	14.48 [0.570]	7.240 [0.285]	17.17 [0.676]	13.11 [0.516]	
10	104786-1	5.08 [0.200]	8.12 [0.320]	4.06 [0.160]	10.82 [0.426]	6.75 [0.266]	

THIS DRAWING IS A CONTROLLED DOCUMENT.

DIMENSIONS: mm [INCHES]	TOLERANCES UNLESS OTHERWISE SPECIFIED:	DATE: 5/31/92	BY: KATE HELM	APPROVED: 5/31/91	NAME: D. GORENC	TYCO ELECTRONICS CORPORATION	HARRISBURG, PA 17105-3608
0 PLC ± -	1 PLC ± -	2 PLC ± -	3 PLC ± 0.05	4 PLC ± -	ANGLES ± -	APPLICATION SPEC	SIZE: A1
MATERIAL	FINISH	WEIGHT	CAGE CODE	DRAWING NO	RESTRICTED TO	ASSY RCPT, ASYMMETRICAL, SURFACE MT, AMPMODU 50/50 GRID CONNECTOR	
				00779		SCALE: 10:1	SHEET 1 OF 1

CUSTOMER DRAWING

单击下面可查看定价，库存，交付和生命周期等信息

[>>TE Connectivity\(泰科\)](#)