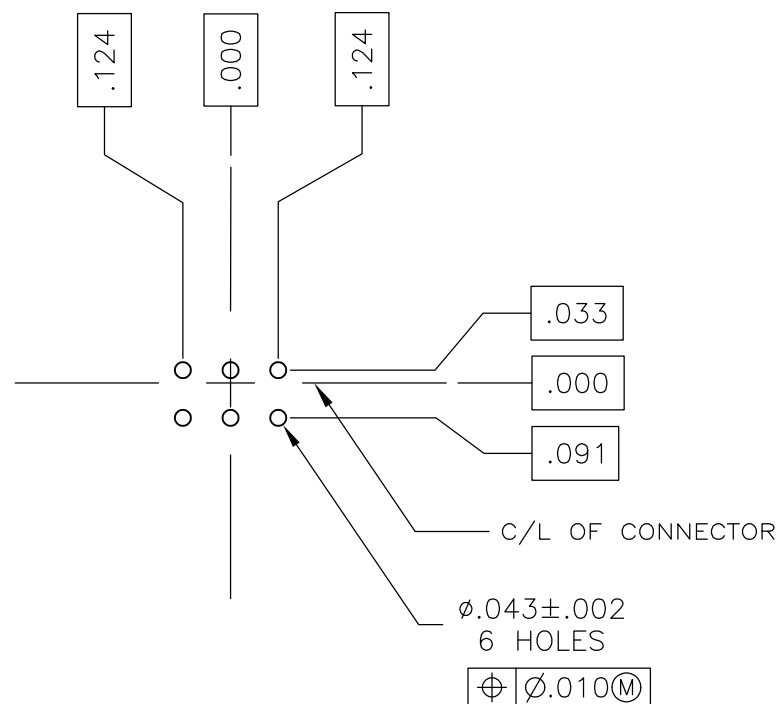
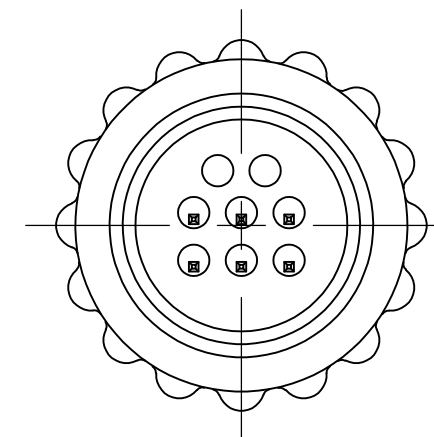
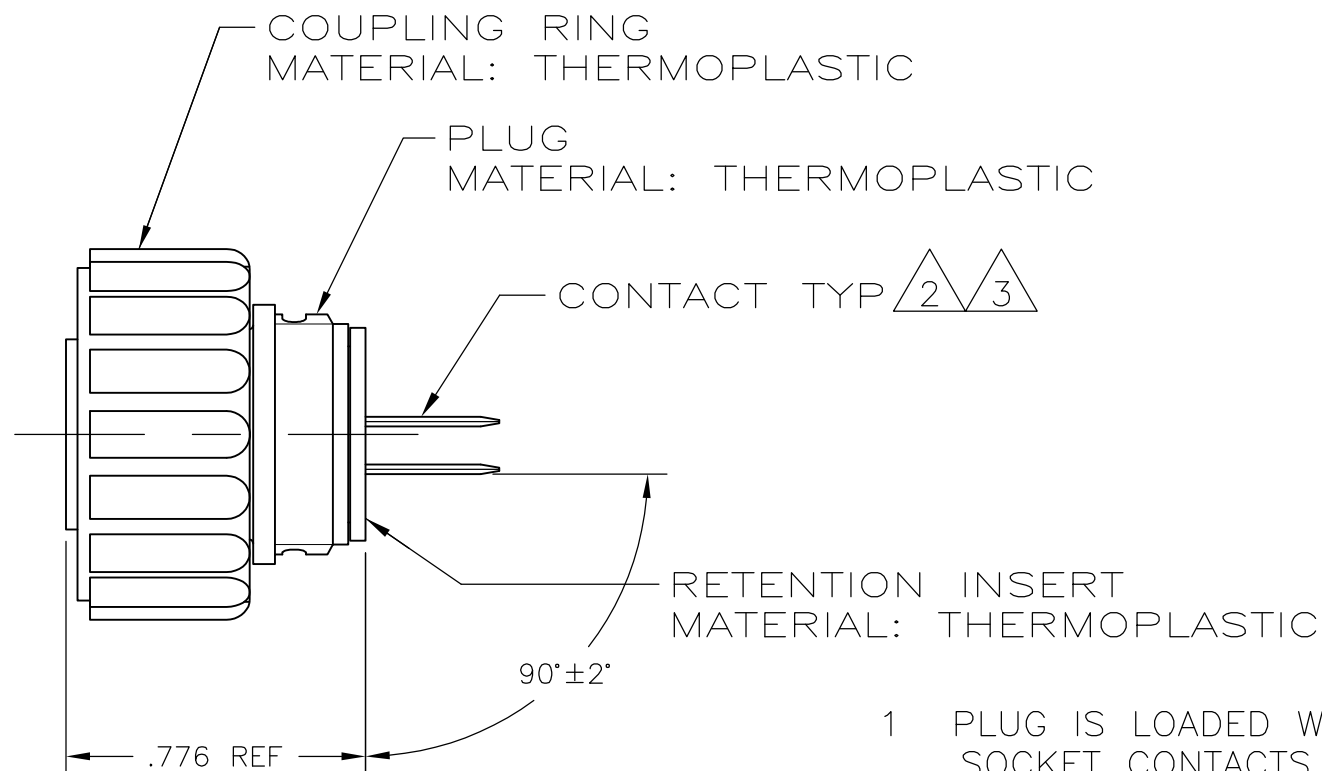
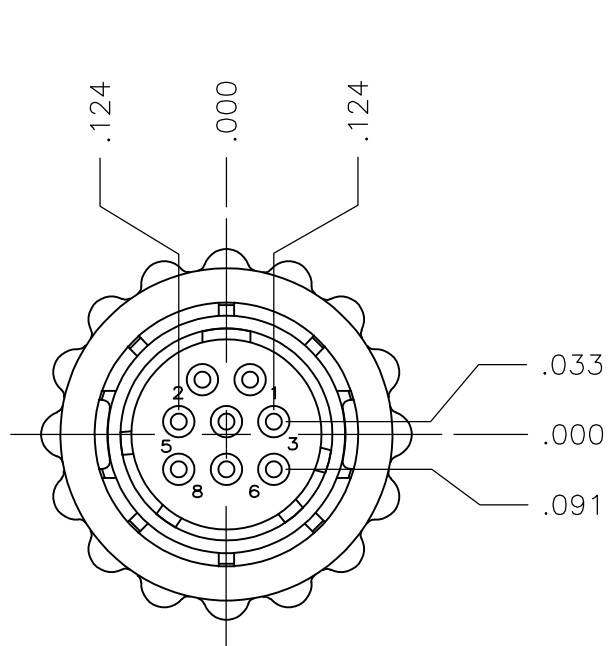
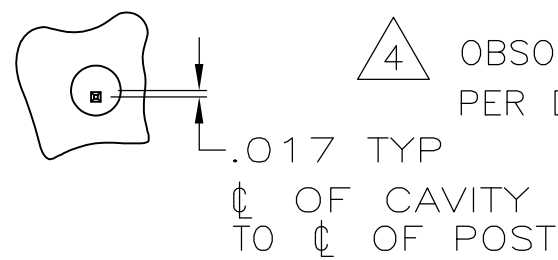


THIS DRAWING IS UNPUBLISHED. RELEASED FOR PUBLICATION
 © COPYRIGHT BY TYCO ELECTRONICS CORPORATION. ALL INTERNATIONAL RIGHTS RESERVED.

LOC	DIST	REVISIONS			
P	LTR	DESCRIPTION	DATE	DWN	APVD
FT	0				
	A	NEW DRAWING PER ECO-08-022303	15SEP08	HMR	BC
	A1	REVISED PER ECO-09-023313	09OCT09	KK	AEG



- 1 PLUG IS LOADED WITH 6, SIZE 20 DF POSTED SOCKET CONTACTS. POSITION 1 & 2 VACANT
- 2 .000030 MIN GOLD ON LOCALIZED GOLD PLATE AREA, .000100 MIN TIN-LEAD ON LOCALIZED TIN PLATE AREA, ALL OVER .000050 MIN NICKEL.
- 3 GOLD FLASH ON LOCALIZED GOLD PLATE AREA, .000100 MIN TIN ON LOCALIZED TIN PLATE AREA, ALL OVER .000050 MIN NICKEL.
- 4 OBSOLETE PARTS: OBSOLETE CIS STREAMLINING PER D.RENAUD/D.SINISI



POST ARRANGEMENT ON REAR FACE

4	OBSOLETE	3	1-796902-1
		2	796902-1
		FINISH	PART NO

RECOMMENDED P.C. BOARD LAYOUT

THIS DRAWING IS A CONTROLLED DOCUMENT.		DWN RAGHAVENDRA 15SEP08	Tyco Electronics Corporation Harrisburg, PA 17105-3608													
DIMENSIONS: INCHES		CHK CHANEY BRIAN 15SEP08	NAME													
TOLERANCES UNLESS OTHERWISE SPECIFIED:		APVD CHANEY BRIAN 15SEP08	PLUG ASSEMBLY STD SEX, POSTED SERIES 2, 11-8, CPC													
<table border="0"> <tr><td>0 PLC</td><td>± -</td></tr> <tr><td>1 PLC</td><td>± -</td></tr> <tr><td>2 PLC</td><td>± -</td></tr> <tr><td>3 PLC</td><td>± .005</td></tr> <tr><td>4 PLC</td><td>± -</td></tr> <tr><td>ANGLES</td><td>± -</td></tr> </table>		0 PLC	± -	1 PLC	± -	2 PLC	± -	3 PLC	± .005	4 PLC	± -	ANGLES	± -	PRODUCT SPEC	SIZE	CAGE CODE
0 PLC	± -															
1 PLC	± -															
2 PLC	± -															
3 PLC	± .005															
4 PLC	± -															
ANGLES	± -															
MATERIAL		APPLICATION SPEC	00779	DRAWING NO												
FINISH		WEIGHT	C-796902	RESTRICTED TO												
		CUSTOMER DRAWING	SCALE 2:1	SHEET 1 OF 1												
			REV A1													

单击下面可查看定价，库存，交付和生命周期等信息

[>>TE Connectivity\(泰科\)](#)