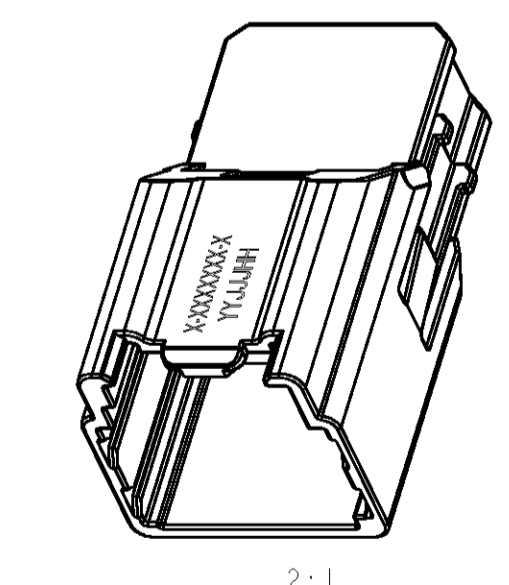


KEYING OPTION A IS SHOWN



- NOTE:
- 1 TERMINAL POSITION NUMBERS LOCATED AS SHOWN
 - 2 SPACER IS SHIPPED IN PRE-ASSEMBLED POSITION
 - 3 PARTNUMBER AND DATE CODE
 - 4 PRODUCT REVISION LEVEL (OPTIONAL)
 - 5 TOOL NUMBER, MOLD CAVITY NUMBER, TYCO LOGO (OPTIONAL)
 - 6 MATERIAL IDENTIFICATION
 - 7 PACKING: CONNECTOR ASSEMBLIES HAVE TO BE BULK PACKED IN CARD BOARD BOX

TYCO ORDER NUMBER	KEYING OPTIONS								ITEM	DESCRIPTION	MATERIAL	COLOUR
	A	C	D	E	F	G	H					
9-1419157-6									2	SPACER	PBT - GF 30	RED
1-1414147-7									1	MALE HOUSING	PA66-GF35	BLACK
2-1414167-3									1	MALE HOUSING	PA66-GF35	BLACK
2-1414167-4									1	MALE HOUSING	PA66-GF35	BLACK
2-1414167-5									1	MALE HOUSING	PA66-GF35	BLACK
2-1414167-6									1	MALE HOUSING	PA66-GF35	BLACK
2-1414167-7									1	MALE HOUSING	PA66-GF35	BLACK
									1	MALE HOUSING	PA66-GF35	BLACK
									1	MALE HOUSING	PA66-GF35	BLACK
									1	MALE HOUSING	PA66-GF35	BLACK
									1	MALE HOUSING	PA66-GF35	BLACK
									1	MALE HOUSING	PA66-GF35	BLACK

THIS DRAWING IS UNPUBLISHED. RELEASED FOR PUBLICATION. COPYRIGHT 2002 BY TYCO ELECTRONICS CORPORATION. ALL RIGHTS RESERVED.

DIMENSIONS: mm

TOLERANCES UNLESS OTHERWISE SPECIFIED:
 1. PLC ±0.1
 2. PLC ±0.1
 3. PLC ±0.1
 4. PLC ±0.001
 DIMENSIONS IN PARENTHESES ARE MINIMUMS

MATERIAL: - FINISH: -

DWN: A. Kern 26SEP2002
 ENH: -
 APVD: -

NAME: Tyco Electronics AMP GmbH
 0-63225 Langen

PRODUCT SPEC: 2x5 POS. GET MALE CONNECTOR, UNSEALED ASSEMBLY
 APPLICATION SPEC: -

WEIGHT: -

CUSTOMER DRAWING: A1 00779 C=1-1419147-7

RESTRICTED TO: -

SCALE: 5:1 SHEET: 1 OF 1 REV: B

单击下面可查看定价，库存，交付和生命周期等信息

[>>TE Connectivity\(泰科\)](#)