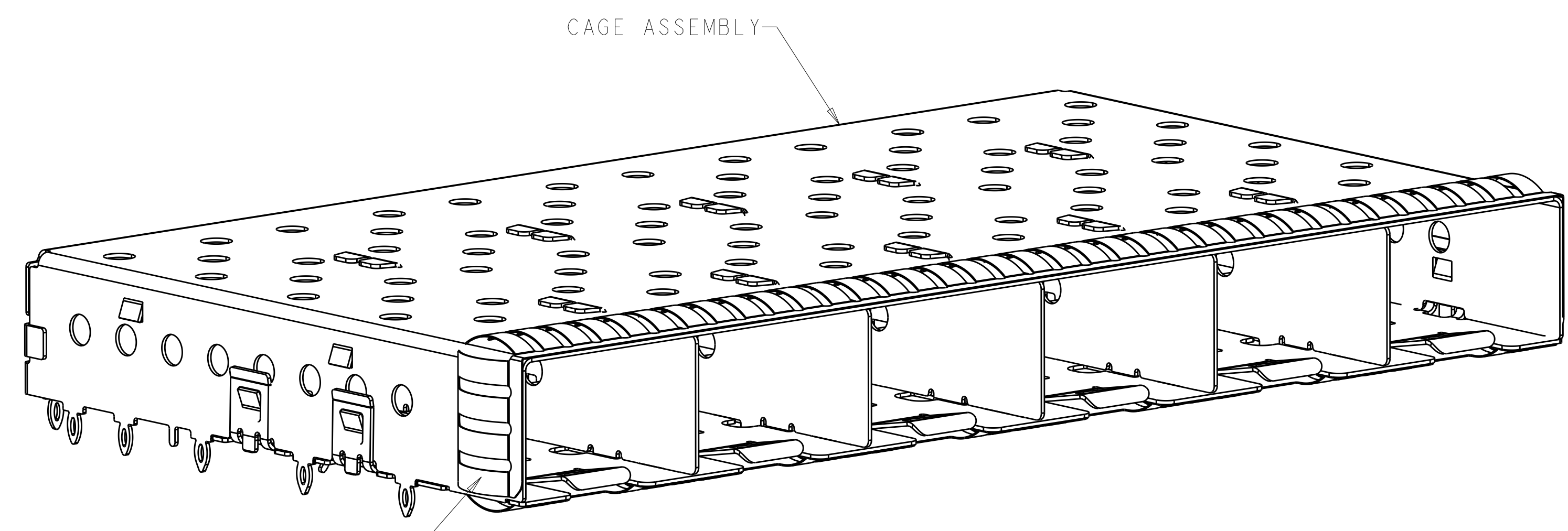
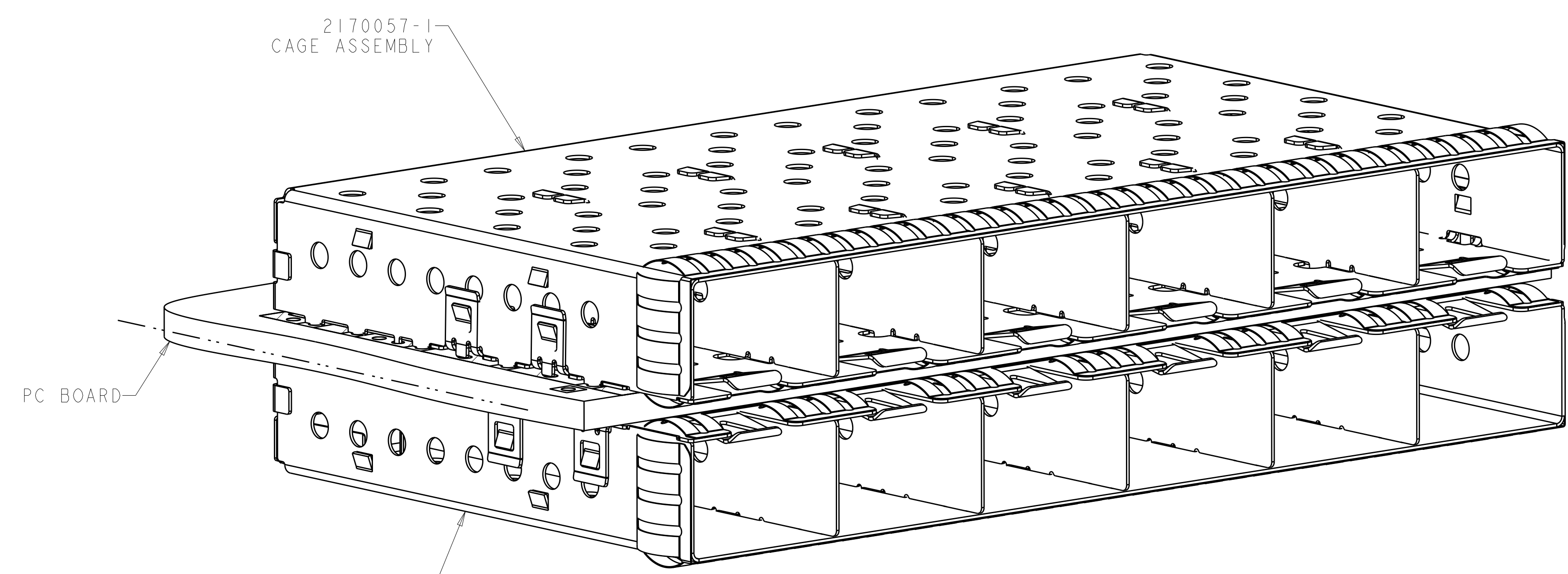
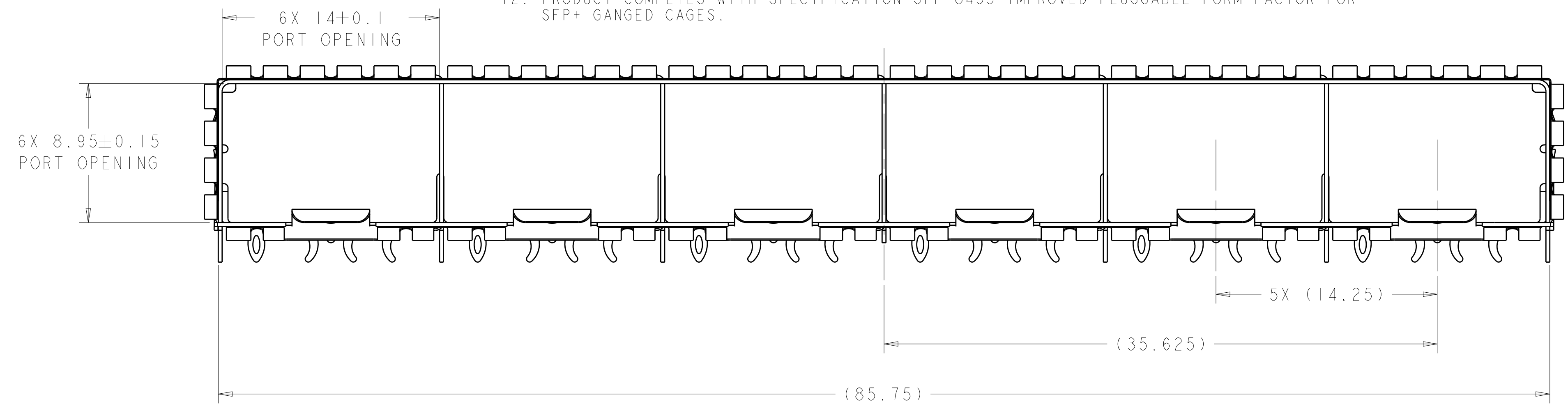
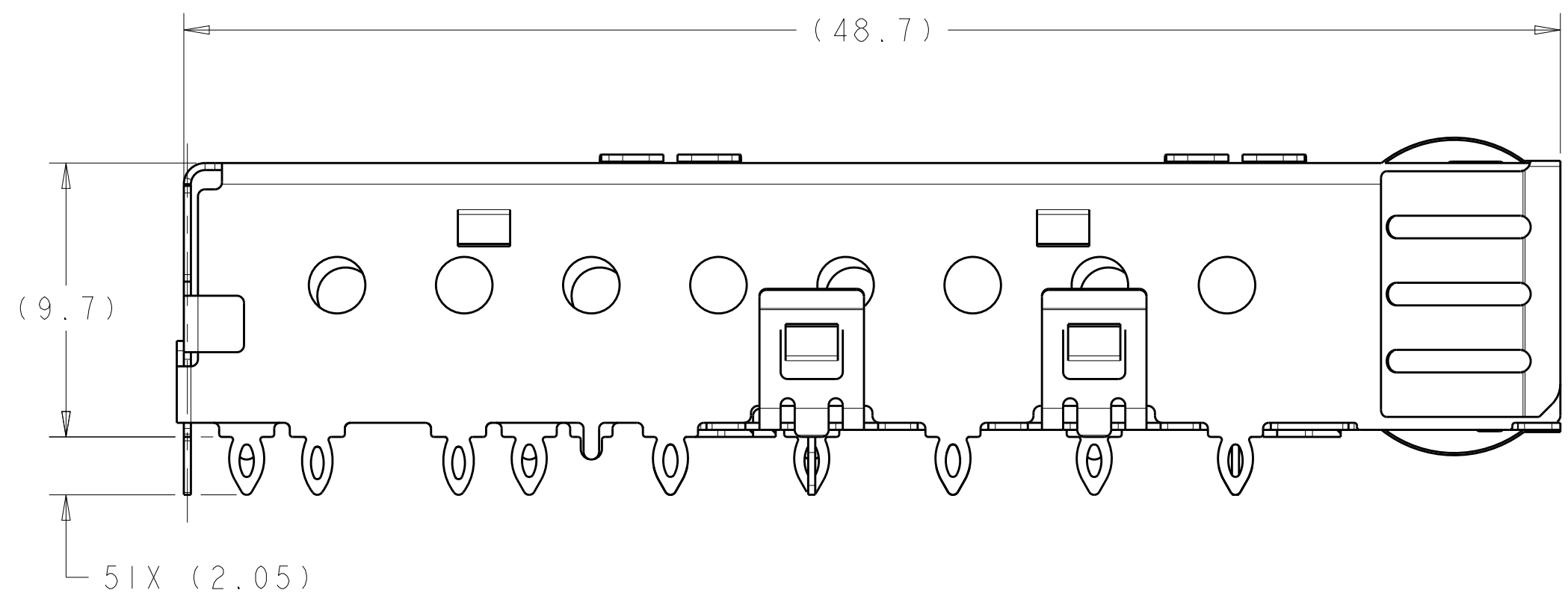


REVISIONS				
REV	DATE	DESCRIPTION	BY	CHK
A	26FEB2016	RELEASED	JW	SH

- 1. MATERIAL: CAGE ASSEMBLY: 0.25mm THICK NICKEL SILVER ALLOY.  
EMI SPRINGS: COPPER ALLOY.
- 2. FINISH:  
SPRINGS: MINIMUM OF 0.8um TIN PLATE OVER A MINIMUM OF 0.8um NICKEL UNDERPLATE.  
NON-PLATED EDGES PERMISSIBLE.
- 3. MATES WITH SFP MSA COMPLIANT TRANSCEIVERS.
- 4. PADS AND VIAS CHASSIS GROUND.
- 5. INTERPRETATION OF DATUM REFERENCE FRAME IN ACCORDANCE WITH SECT 4.4.1.1 OF ASME Y14.5M-1994.
- 6. MINIMUM PCB BOARD THICKNESS:  
SINGLE SIDED = 1.50  
DOUBLE SIDED = 2.25
- 7. HOLE PATTERN REPEATS FOR EACH PORT. SPACING BETWEEN PORTS IS 14.25mm.
- 8. DATUM AND BASIC DIMENSION ESTABLISHED BY CUSTOMER.
- 9. REFERENCE APPLICATION SPEC. 114-13120, HOLE A, FOR RECOMMENDED DRILL HOLE DIAMETER AND PLATING THICKNESS.
- 10. REFERENCE APPLICATION SPEC. 114-13120, HOLE B, FOR RECOMMENDED DRILL HOLE DIAMETER AND PLATING THICKNESS.
- 11. CERTAIN MATING TRANSCEIVERS MAY REQUIRE ADDITIONAL PCB THICKNESS THAT WOULD BE DETERMINED BY THE CUSTOMER.
- 12. PRODUCT COMPLIES WITH SPECIFICATION SFF-8433 IMPROVED PLUGGABLE FORM FACTOR FOR SFP+ GANGED CAGES.



2170057-1  
FINISHED ASSEMBLY  
SCALE 4:1



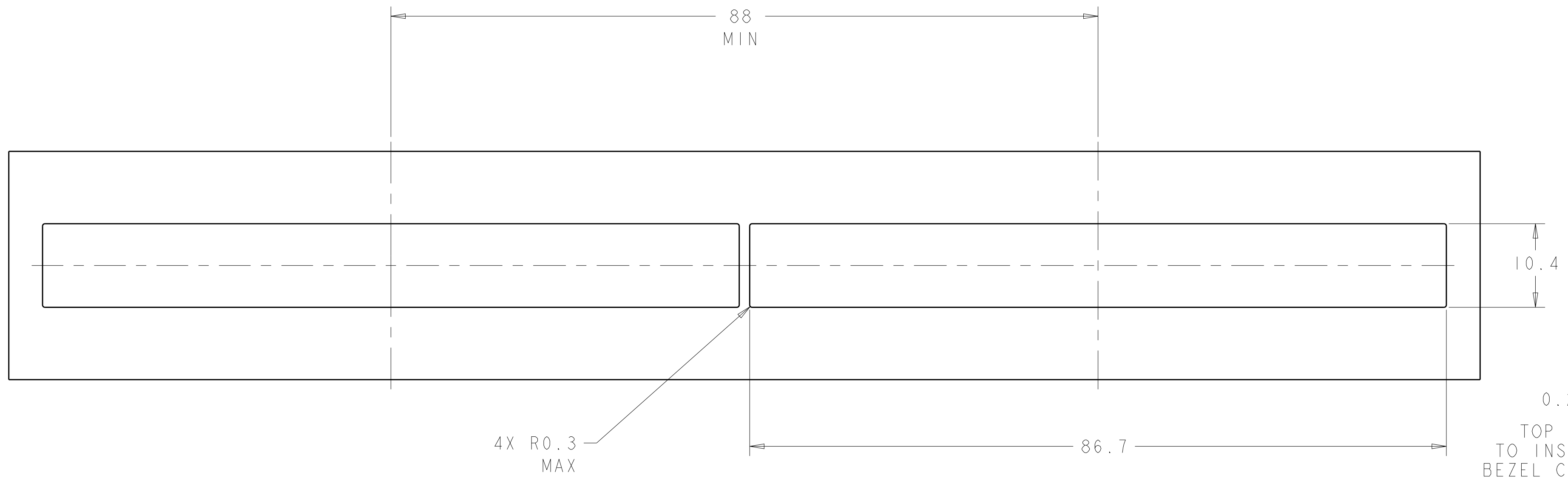
2170057-1  
CAGE ASSEMBLY  
MOUNTED BELLY TO BELLY ON PCB  
SCALE 4:1

2170057-1  
PART NUMBER

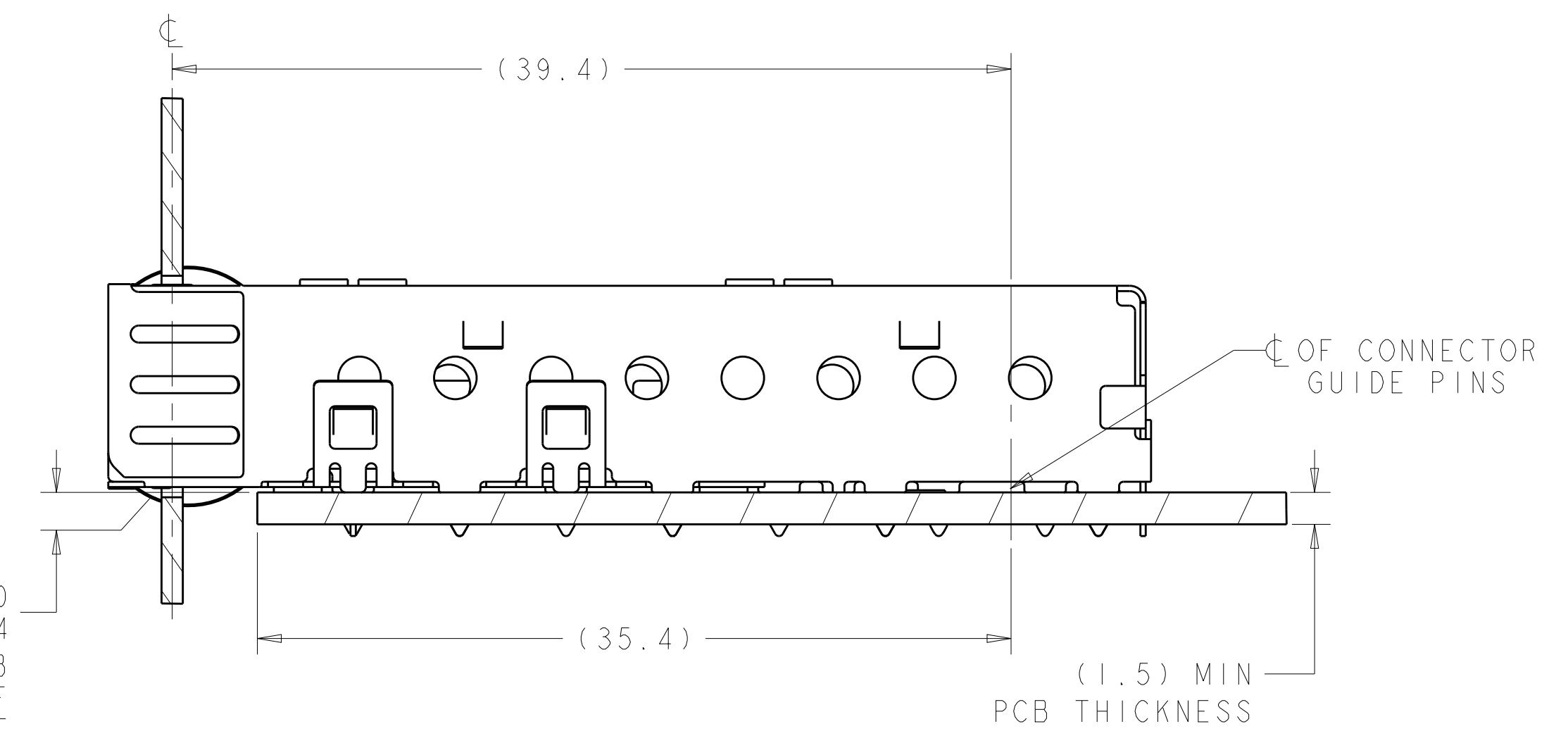
THIS DRAWING IS A CONTROLLED DOCUMENT.		OWN: TIM XUE 17FEB2011	TE Connectivity
DIMENSIONS: mm		CHK: MANOJAN WANG 17FEB2011	
TOLERANCES UNLESS OTHERWISE SPECIFIED:		APVD: MANOJAN WANG 17FEB2011	NAME: SFP+ 1X6 PRINTED CIRCUIT BOARD BELLY TO BELLY APPLICATIONS
0 PLC ±0.1		PRODUCT SPEC: 108-2364	
1 PLC ±0.1		APPLICATION SPEC: 114-13120	SIZE: A1 CAGE CODE: 2170057 DRAWING NO: 2170057-1
2 PLC ±0.1		WEIGHT: -	
3 PLC ±0.1		CUSTOMER DRAWING	RESTRICTED TO
4 PLC ±0.1		SCALE: 5:1	SHEET 1 OF 4
ANGLES ±1°		REV: A	

GP 00

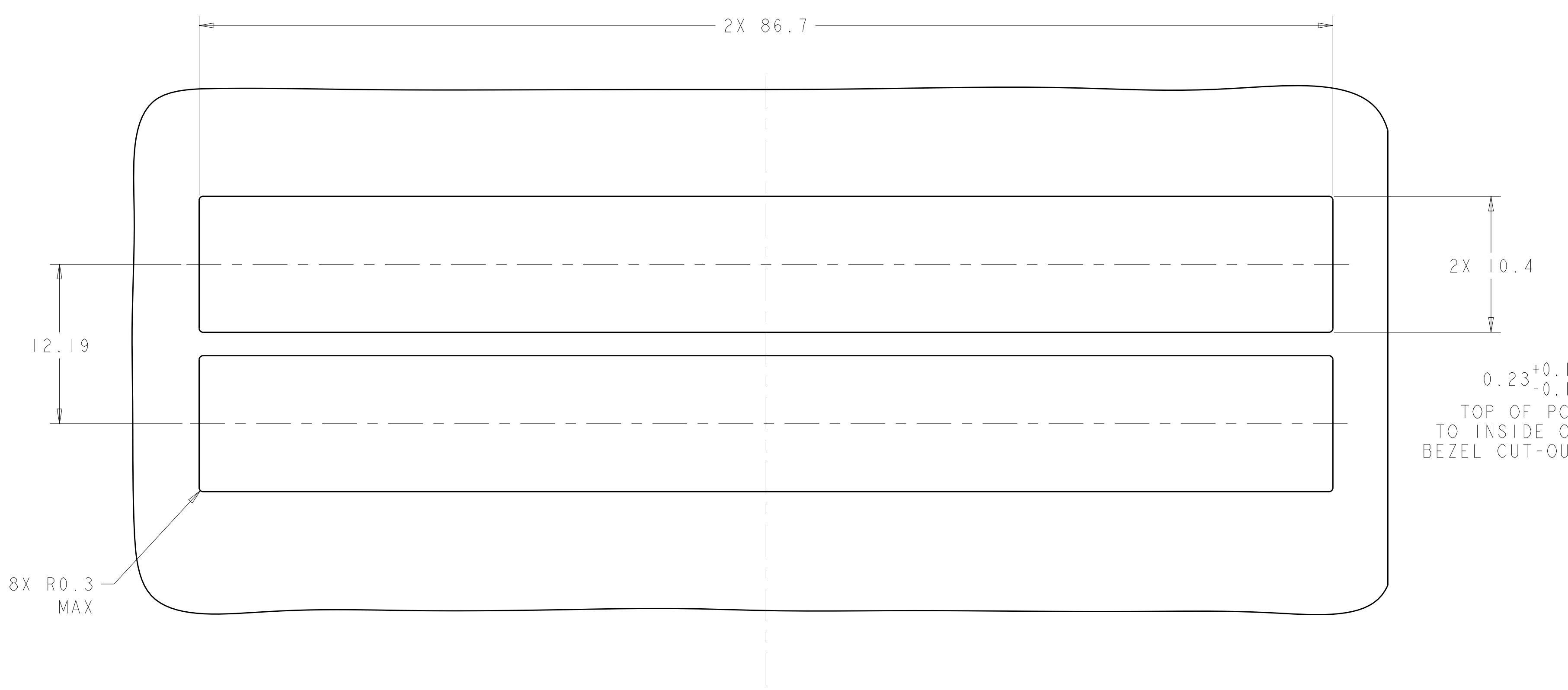
REVISIONS				
REV	DATE	BY	APP'D	DESCRIPTION
-	-	-	-	SEE SHEET 1



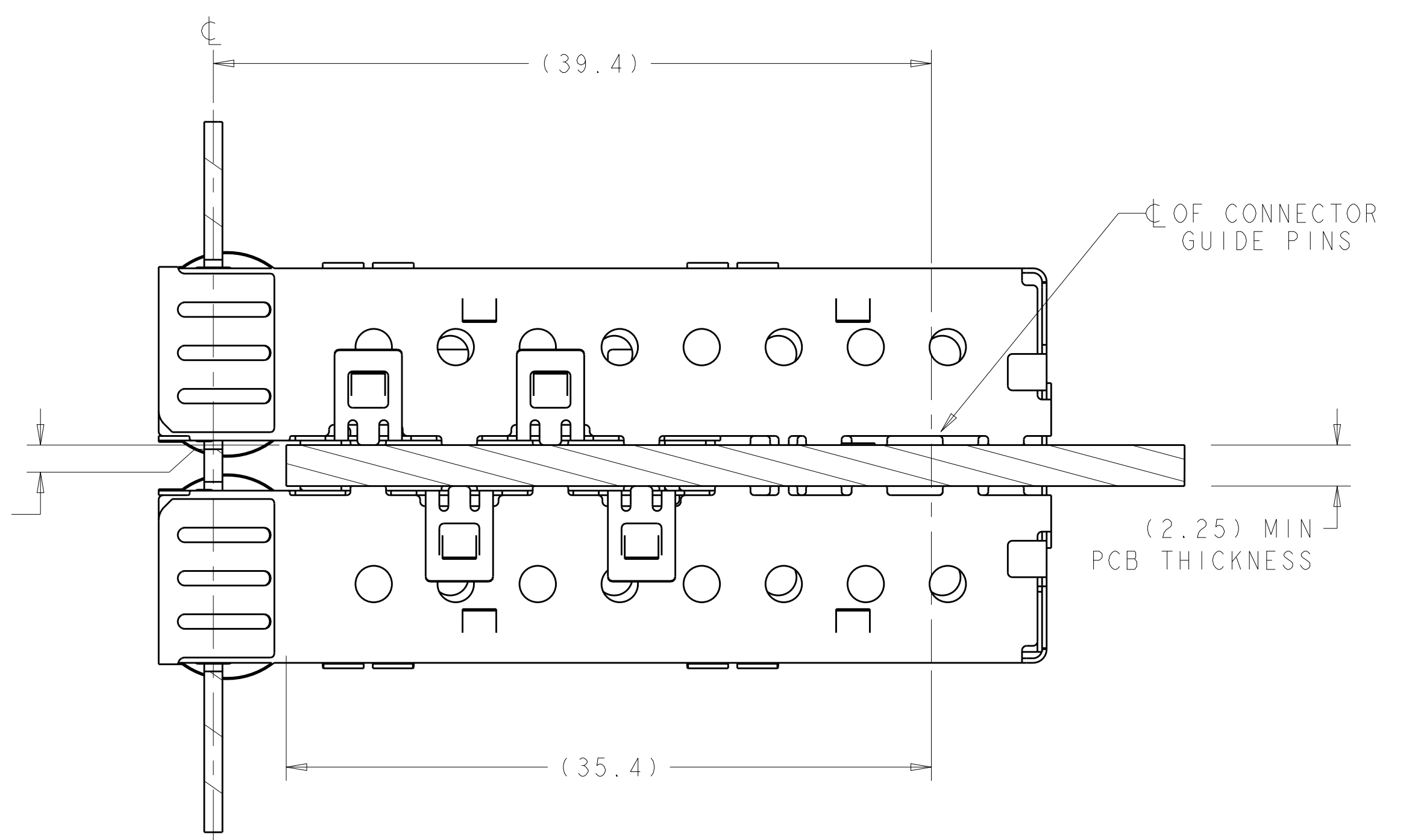
RECOMMENDED BEZEL CUT-OUT  
SINGLE SIDED APPLICATIONS  
SCALE 5:2



2170057-1  
MOUNTED ON PC BOARD  
SHOWN THRU RECOMMENDED BEZEL  
SCALE 4:1



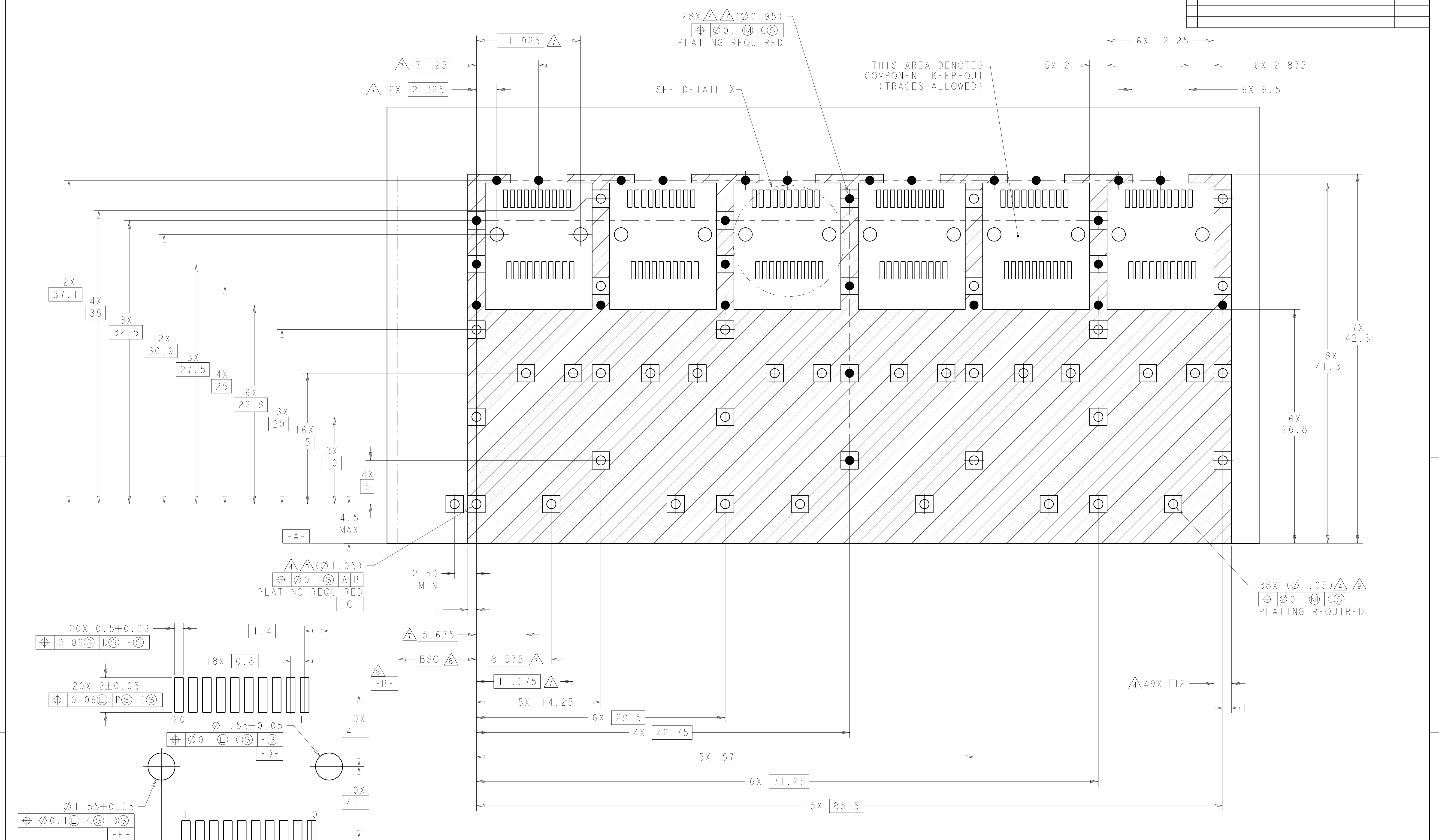
RECOMMENDED BEZEL CUT-OUT  
BELLY TO BELLY APPLICATIONS  
SCALE 4:1



2170057-1  
MOUNTED BELLY TO BELLY ON PC BOARD  
SHOWN THRU RECOMMENDED BEZEL  
SCALE 4:1

THIS DRAWING IS A CONTROLLED DOCUMENT.		OWN: TIM XUE 17FEB2011	TE Connectivity
DIMENSIONS: mm		CHK: MANOJAN WANG 17FEB2011	
TOLERANCES UNLESS OTHERWISE SPECIFIED:		APVD: MANOJAN WANG 17FEB2011	NAME: SFP+ 1X6 PRINTED CIRCUIT BOARD BELLY TO BELLY APPLICATIONS
0 PLC	±0.1	PRODUCT SPEC	SIZE: A1
1 PLC	±0.1	108-2364	CAGE CODE: C=2170057
2 PLC	±0.1	APPLICATION SPEC	RESTRICTED TO: -
3 PLC	±0.1	114-13120	SCALE: 2:1
4 PLC	±0.1	WEIGHT: -	SHEET: 2 OF 4
ANGLES	±1°	CUSTOMER DRAWING	REV: A

REVISIONS				
P.	LTN.	DESCRIPTION	DATE	APPD.
-	-	SEE SHEET 1	-	-



DETAIL X  
 RECOMMENDED PT CONNECTOR LAYOUT  
 6X INDIVIDUALLY  
 SCALE 10:1

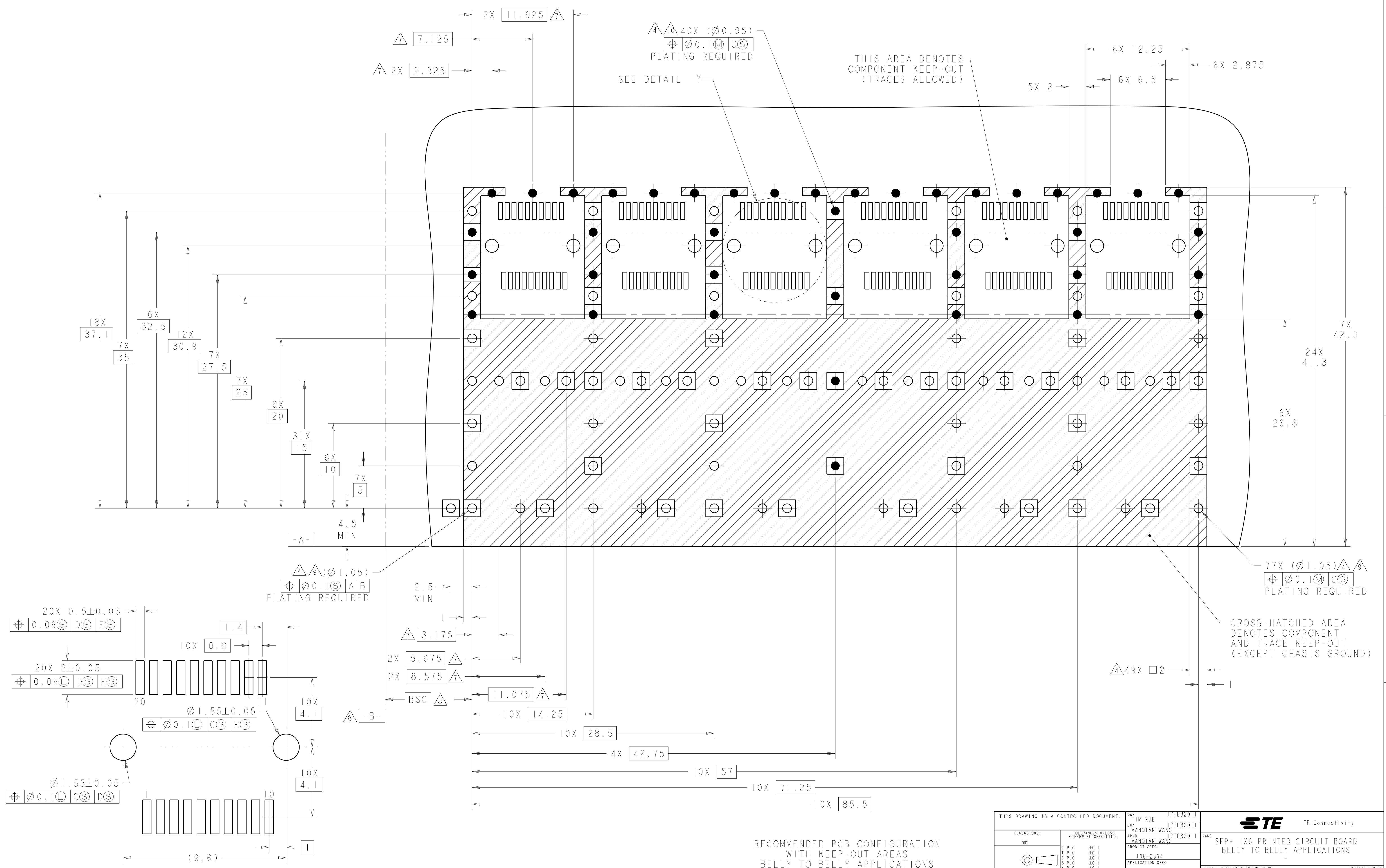
RECOMMENDED PCB CONFIGURATION  
 WITH KEEP-OUT AREAS  
 SINGLE SIDED APPLICATIONS  $\Delta$

THIS DRAWING IS A CONTROLLED DOCUMENT.		OWN: TIM XUE 17FEB2011	TE Connectivity
DIMENSIONS: mm		CHK: MANOJAN WANG 17FEB2011	
TOLERANCES UNLESS OTHERWISE SPECIFIED:		APVD: MANOJAN WANG 17FEB2011	NAME: SFP+ 1X6 PRINTED CIRCUIT BOARD BELLY TO BELLY APPLICATIONS
0 PLC $\pm$ 0.1	1 PLC $\pm$ 0.1	PRODUCT SPEC: 108-2364	SIZE: A1
2 PLC $\pm$ 0.1	3 PLC $\pm$ 0.1	APPLICATION SPEC: 114-13120	CAGE CODE: C=2170057
4 PLC $\pm$ 0.1	ANGLES $\pm$ 0.1	FINISH: #10	RESTRICTED TO: -
MATERIAL: -	FINISH: -	WEIGHT: -	SCALE: 2:1
CUSTOMER DRAWING		SHEET 3 OF 4	REV A



GP 00

REVISIONS				
REV	DATE	BY	APPV	DESCRIPTION
-	-	-	-	SEE SHEET 1



DETAIL Y  
SCALE 10:1

RECOMMENDED PCB CONFIGURATION  
WITH KEEP-OUT AREAS  
BELLY TO BELLY APPLICATIONS

THIS DRAWING IS A CONTROLLED DOCUMENT.		OWN: TIM XUE 17FEB2011	TE Connectivity
DIMENSIONS: mm		CHK: MANOJAN WANG 17FEB2011	
TOLERANCES UNLESS OTHERWISE SPECIFIED:		APVD: MANOJAN WANG 17FEB2011	NAME: SFP+ 1X6 PRINTED CIRCUIT BOARD BELLY TO BELLY APPLICATIONS PRODUCT SPEC: 108-2364 APPLICATION SPEC: SIZE: A1 CAGE CODE: C=2170057 DRAWING NO: 114-13120 WEIGHT: SCALE: 2:1 SHEET: 4 OF 4 REV: A
0 PLC ±0.1		RESTRICTED TO:	
1 PLC ±0.1			
2 PLC ±0.1			
3 PLC ±0.1			
4 PLC ±0.1			
ANGLES ±1°			
MATERIAL:			
FINISH:			

单击下面可查看定价，库存，交付和生命周期等信息

[>>TE Connectivity\(泰科\)](#)