

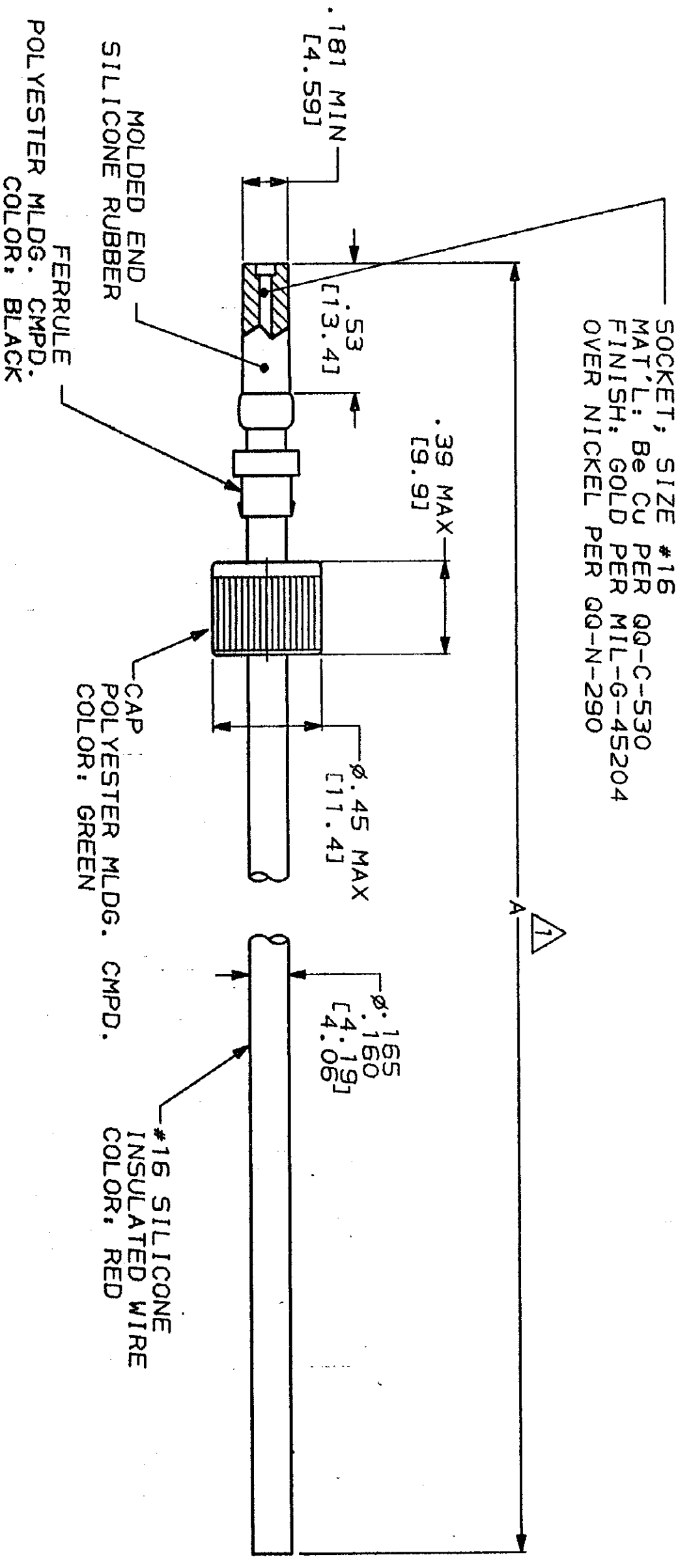
DRAWING MADE IN THIRD ANGLE PROJECTION

THIS DRAWING IS UNPUBLISHED. RELEASED FOR PUBLICATION

© COPYRIGHT 19 BY AMP INCORPORATED. ALL INTERNATIONAL RIGHTS RESERVED.

PART NO.	A
865764-1	48.00 [1219.2]
865764-2	240.00 [6096.0]
865764-3	12.00 [304.8]
865764-4	72.00 [1828.8]
865764-5	336.00 [8534.4]
	OBSOLETE

PROJ	LOC	DIST	REVISONS	
4092	DF	50	REV 8 REDRAWN PER DF-2571	CT 8-91
CODE				SG



- △ TOLERANCE OF LEAD LENGTH:
UP TO 24 INCHES [609.6] = ±.12 [±3.0]
24 INCHES [609.6] & UP = ±1%
- MARKED PER MIL-STD-130.
 - TO MATE WITH AMP LGH-1/2 RECEPTACLE WITH .53 [13.4] BARREL DEPTH.
 - OPERATING VOLTAGE: 10 KVDC AT 0 TO 70,000 FEET, -55°C TO 125°C.

DO NOT SCALE PRINT. UNLESS SPECIFIED DIMENSIONS IN INCHES [mm] TOLERANCES ON 1 2 PLC DEC ± .02 [0.5] 3 PLC DEC ± .005 [0.125] ANGLES MATERIAL	DR 4-18-90 C.C. THOMAS	CHK 8-12-91 S. GLATFELTER	APPD 8-12-91 S. GLATFELTER	APPD 8-12-91 C. THOMAS	PRODUCT SPEC	FINISH	SEE CALLOUTS
LEAD ASS'Y, POS STOP, SGL. END, LGH-1/2	AMP AMP INCORPORATED Morrisburg, Pa. 17105	NAME	SIZE C	CAGE CODE 00779	DRAWING NO 865764	SCALE 2:1	SHEET 1 OF 1

CUSTOMER DRAWING

单击下面可查看定价，库存，交付和生命周期等信息

[>>TE Connectivity\(泰科\)](#)