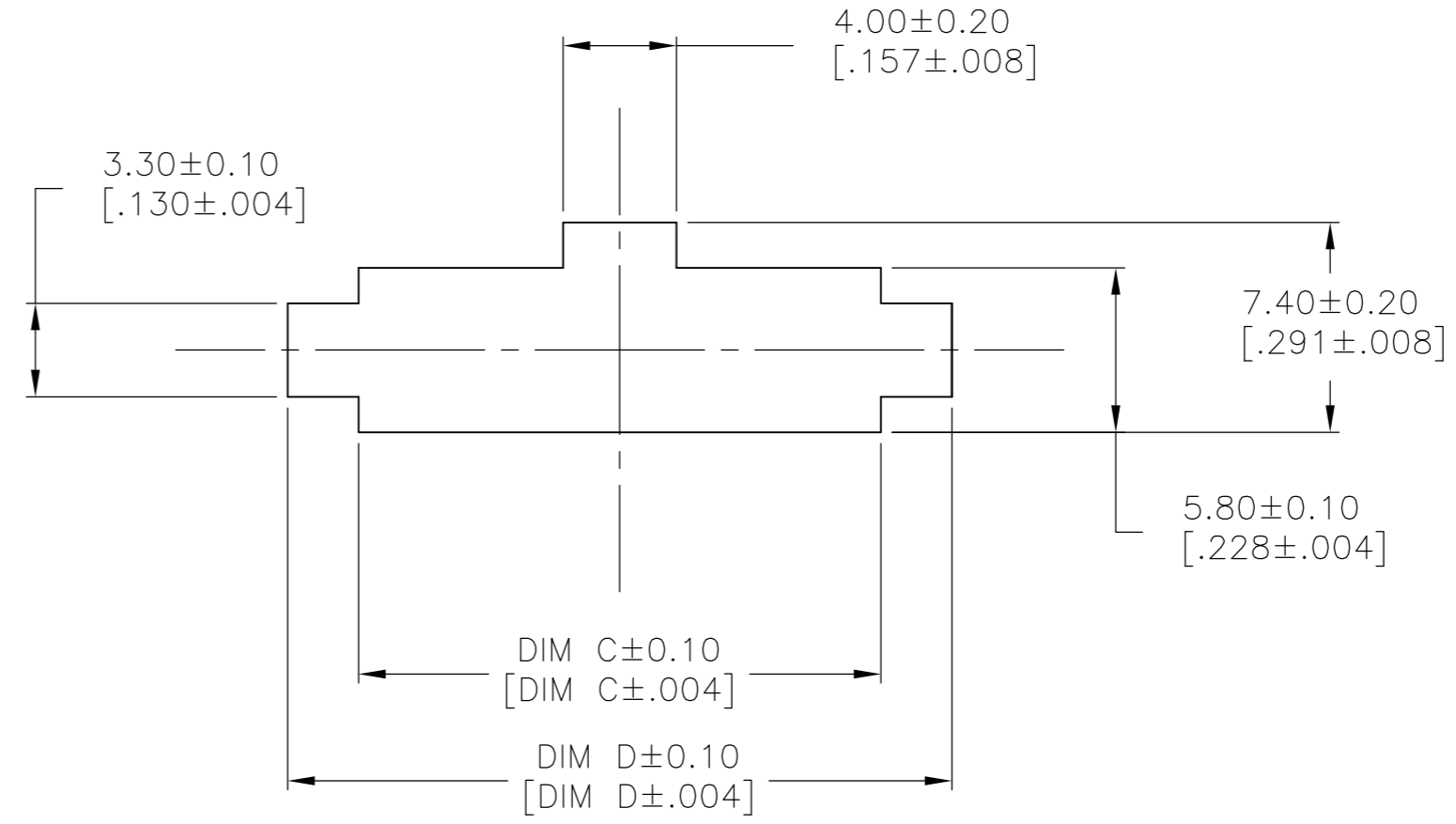
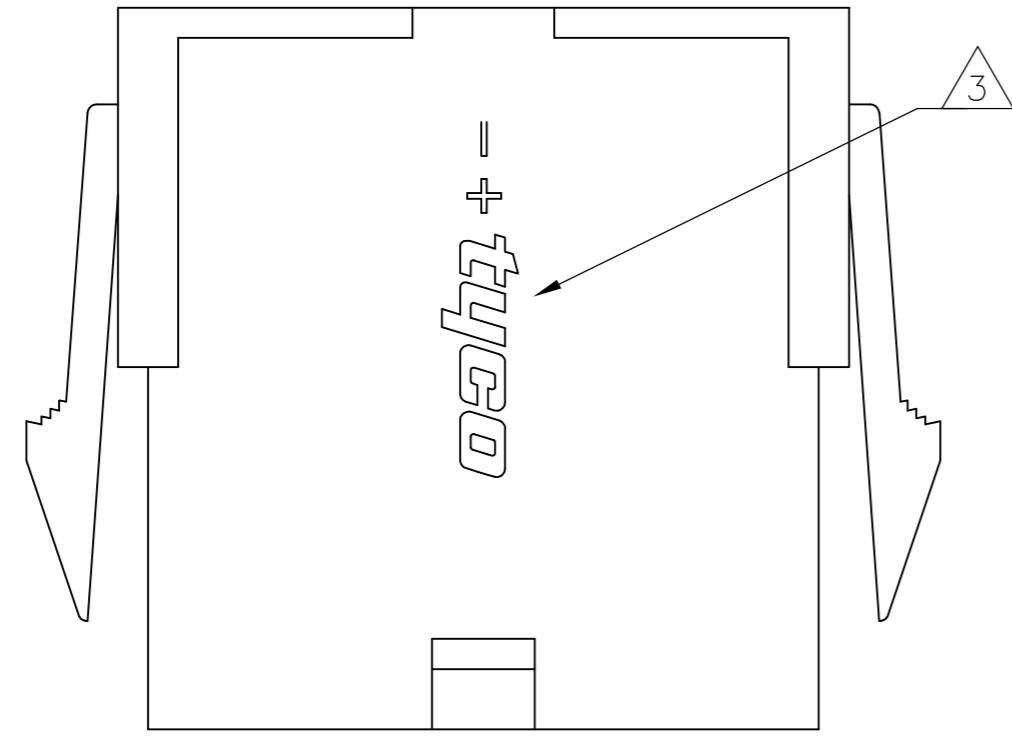
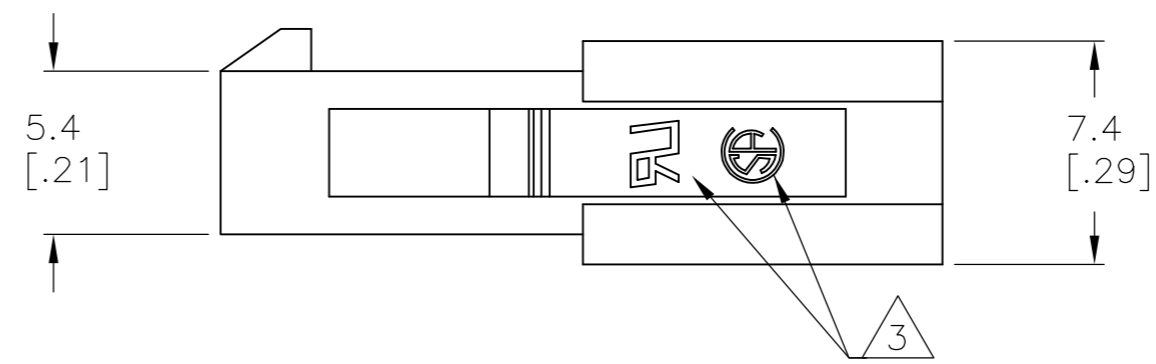
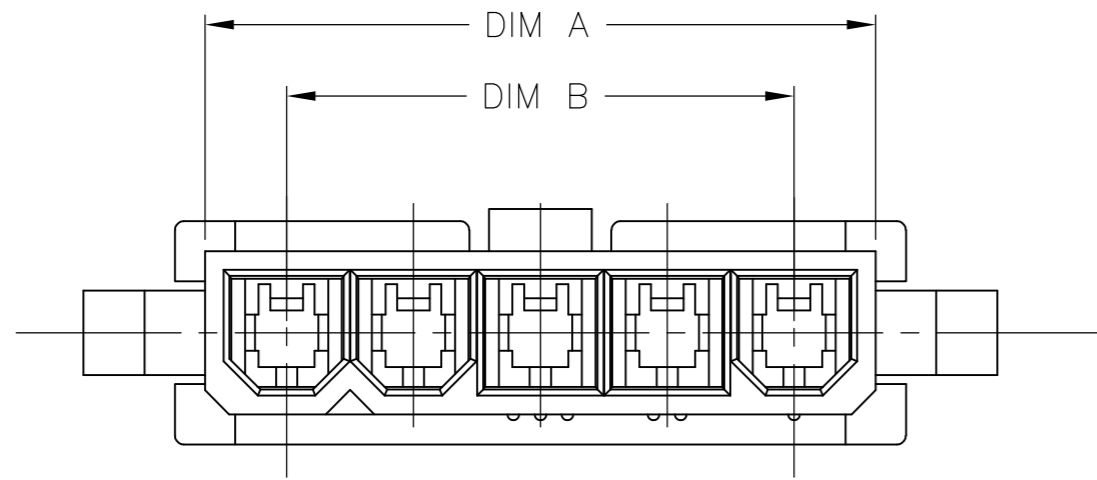


THIS DRAWING IS UNPUBLISHED. RELEASED FOR PUBLICATION
 © COPYRIGHT BY TYCO ELECTRONICS CORPORATION. ALL RIGHTS RESERVED.

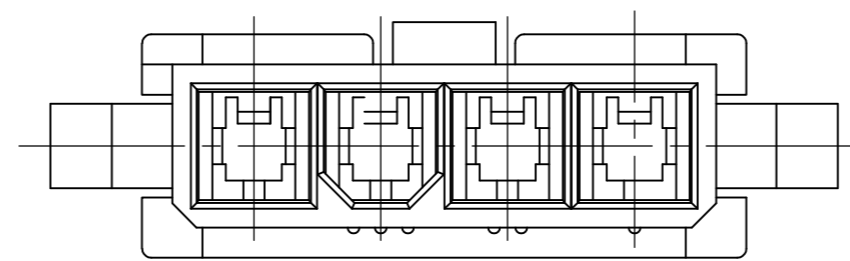
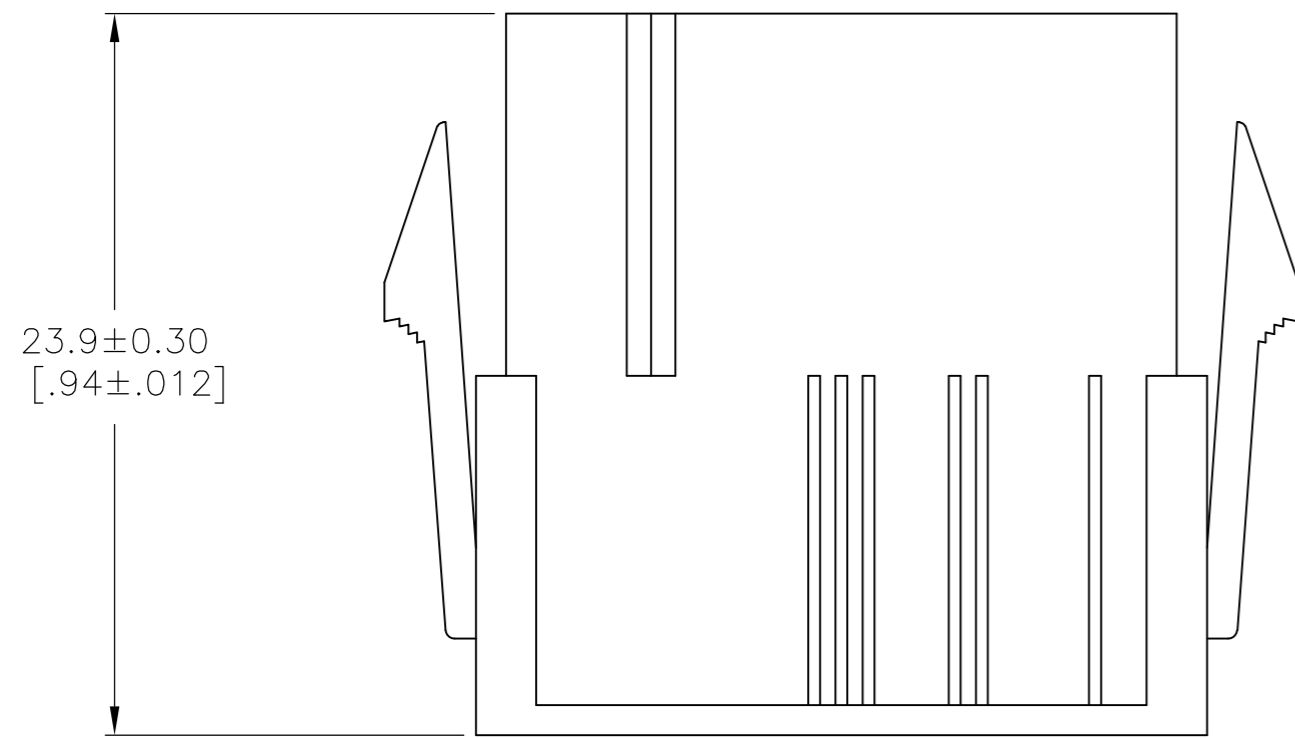
LOC		DIST		REVISIONS			
P	LTR	DESCRIPTION		DATE	DWN	APVD	
C		REVISED PER ECO-08-014350		10JUN08	HMR	CC	



RECOMMENDED CUT-OUT FOR 2.00 [.079] MAX THICK PANEL

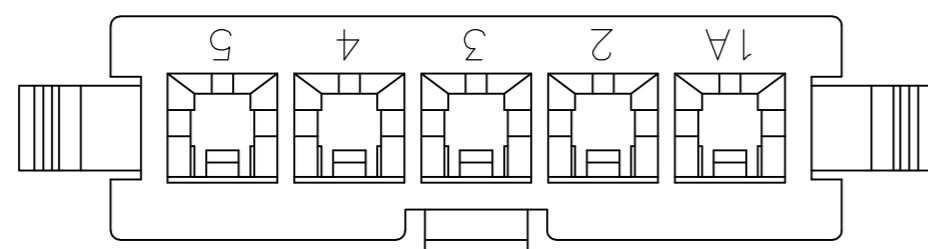


- ① MATERIAL: NYLON 66 UL94V-2.
- ② PANEL SHOULD BE PUNCHED IN THE DIRECTION OF CONNECTOR INSERTION.
- ③ TE LOGO, UL LOGO, AND CSA LOGO - SIZE, LOCATION, AND ORIENTATION OPTIONAL.



4 POSITION MATING FACE
(FOR POLARIZATION IDENTIFICATION)

27.6 [1.09]	22.6 [.89]	16.8 [.66]	22.2 [.87]	5	1586022-5
23.4 [.92]	18.4 [.72]	12.6 [.50]	18.0 [.71]	4	1586022-4
DIM D	DIM C	DIM B	DIM A	POS	PART NUMBER



METRIC

THIS DRAWING IS A CONTROLLED DOCUMENT.

DIMENSIONS: mm [INCHES]	TOLERANCES UNLESS OTHERWISE SPECIFIED: 0 PLC ± - 1 PLC ± 0.1 [.04] 2 PLC ± - 3 PLC ± - 4 PLC ± - ANGLES ± - FINISH	DWN S. HOOVER 08SEP03 CHK D. COLEY 08SEP03 APVD D. COLEY 08SEP03 PRODUCT SPEC - APPLICATION SPEC - WEIGHT -	Tyco Electronics Corporation Harrisburg, PA 17105-3608 NAME PLUG, PANEL MOUNT, SINGLE ROW VAL-U-LOK(TM) SIZE A2 CAGE CODE 00779 DRAWING NO C=1586022 RESTRICTED TO - SCALE 4:1 SHEET 1 of 1 REV C
MATERIAL ①		CUSTOMER DRAWING	

单击下面可查看定价，库存，交付和生命周期等信息

[>>TE Connectivity\(泰科\)](#)