

4

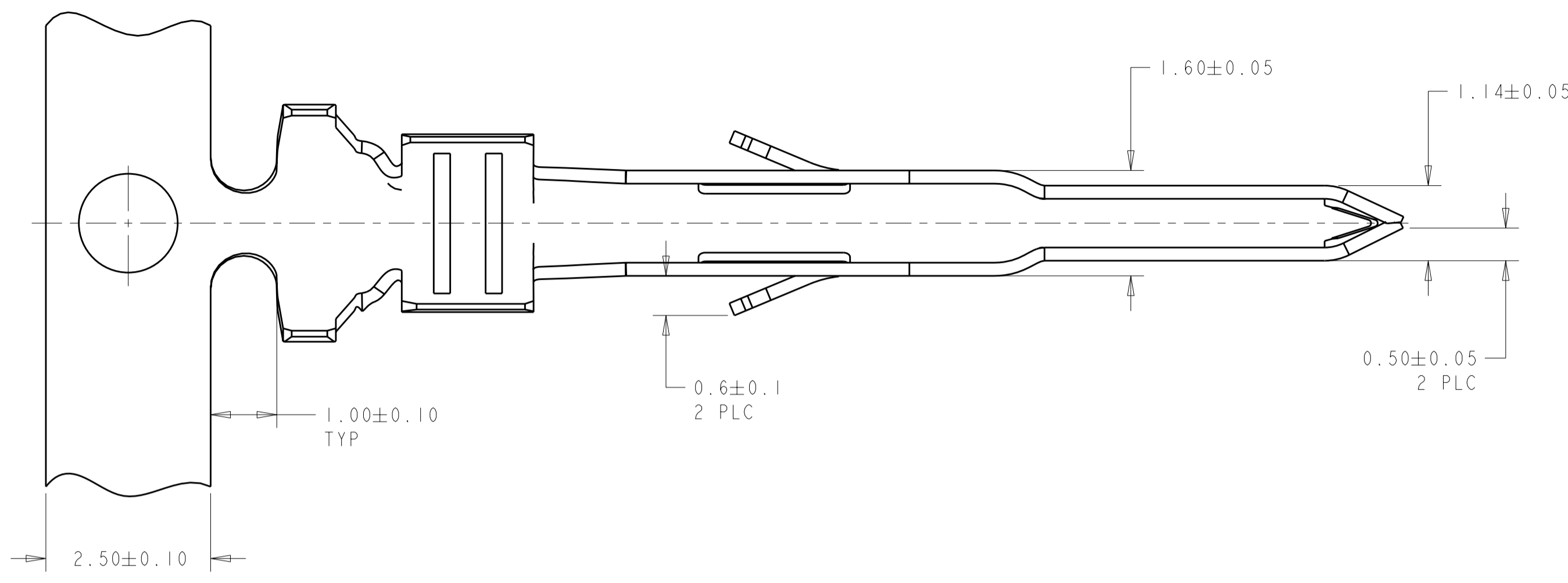
3

2

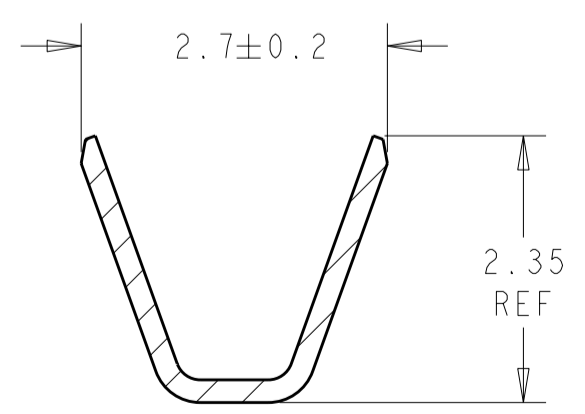
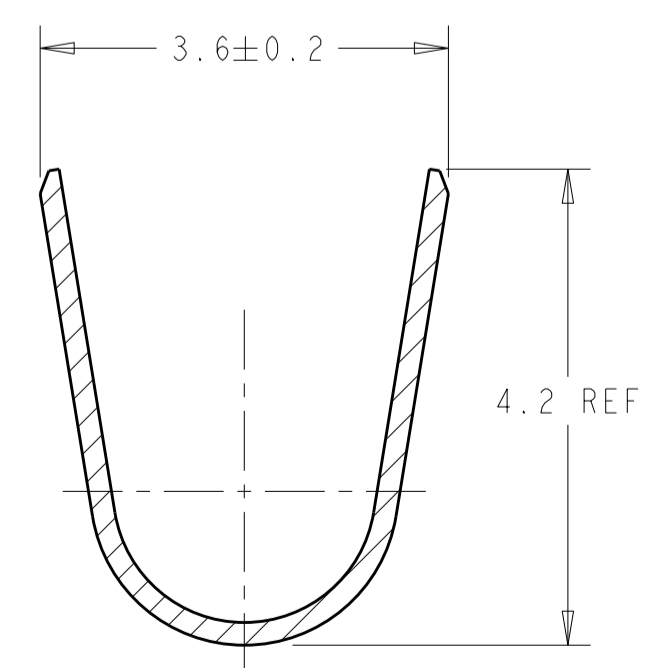
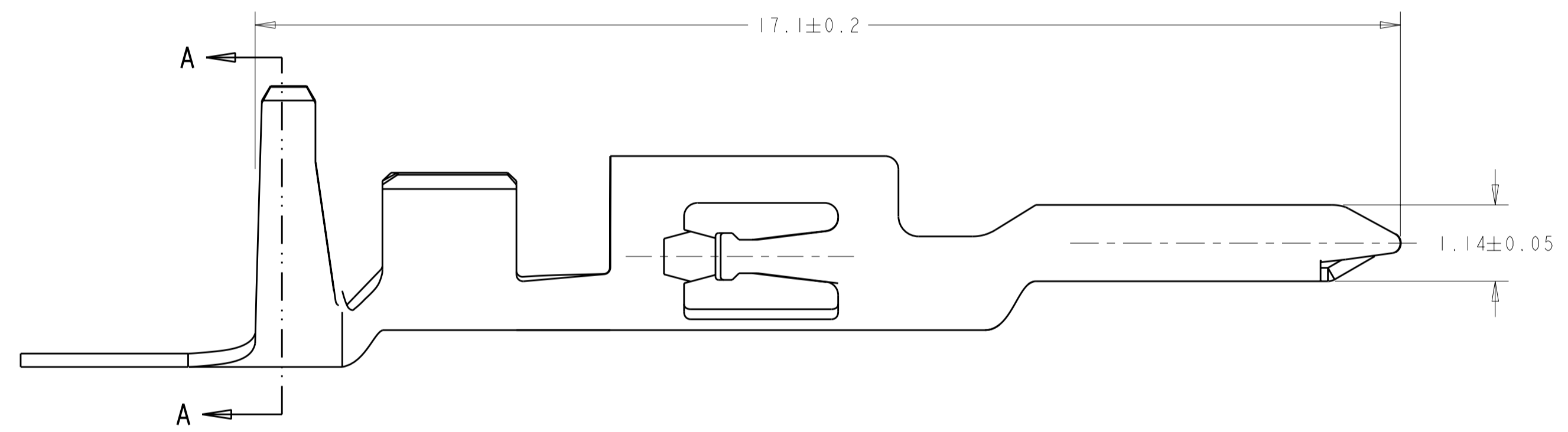
1

THIS DRAWING IS UNPUBLISHED. RELEASED FOR PUBLICATION 2006
 © COPYRIGHT 2006 BY TYCO ELECTRONICS CORPORATION. ALL RIGHTS RESERVED.

LOC	DIST	REVISIONS			
P	LTR	DESCRIPTION	DATE	DWN	APVD
AD	00	A	REVISED PER ECR-09-026352	09DEC2009	HMR KR



1. WIRE RANGE: 0.82mm²-1.25mm² (18 - 18,22 AWG).
2. INSULATION RANGE: 3.90 DIA MAX FOR 18,22 AWG AND 2.10±0.10mm DIA FOR 1 X 18 AWG.
- 3 FINISH: TIN PLATE.
- 4 FINISH: CONTACT LUBRICATION.
- 5 FINISH: GOLD PLATE



5	HIGH CONDUCTIVITY COPPER	1934185-4
3 4	HIGH CONDUCTIVITY COPPER	1934185-1
FINISH	MATERIAL	PART NO

THIS DRAWING IS A CONTROLLED DOCUMENT FOR TYCO ELECTRONICS CORPORATION. IT IS SUBJECT TO CHANGE AND THE CONTROLLING ENGINEERING ORGANIZATION SHOULD BE CONTACTED FOR THE LATEST REVISION.		DWN S. J. MAGARO 14NOV2006	Tyco Electronics Harrisburg, PA 17105-3608	
DIMENSIONS: mm		CHK C. RITTER 14NOV2006	NAME CONTACT, MALE AMP-DUAC UPC	
TOLERANCES UNLESS OTHERWISE SPECIFIED:		APVD -	PRODUCT SPEC 108-2248	
0 PLC ± 1 PLC ± 2 PLC ± 3 PLC ± 4 PLC ± ANGLES ± FINISH		APPLICATION SPEC 114-13195	WEIGHT -	
MATERIAL -		CUSTOMER DRAWING	SCALE 15:1	RESTRICTED TO -
		SIZE A2	CAGE CODE 00779	DRAWING NO 1934185
		SHEET 1 OF 1		REV A

单击下面可查看定价，库存，交付和生命周期等信息

[>>TE Connectivity\(泰科\)](#)