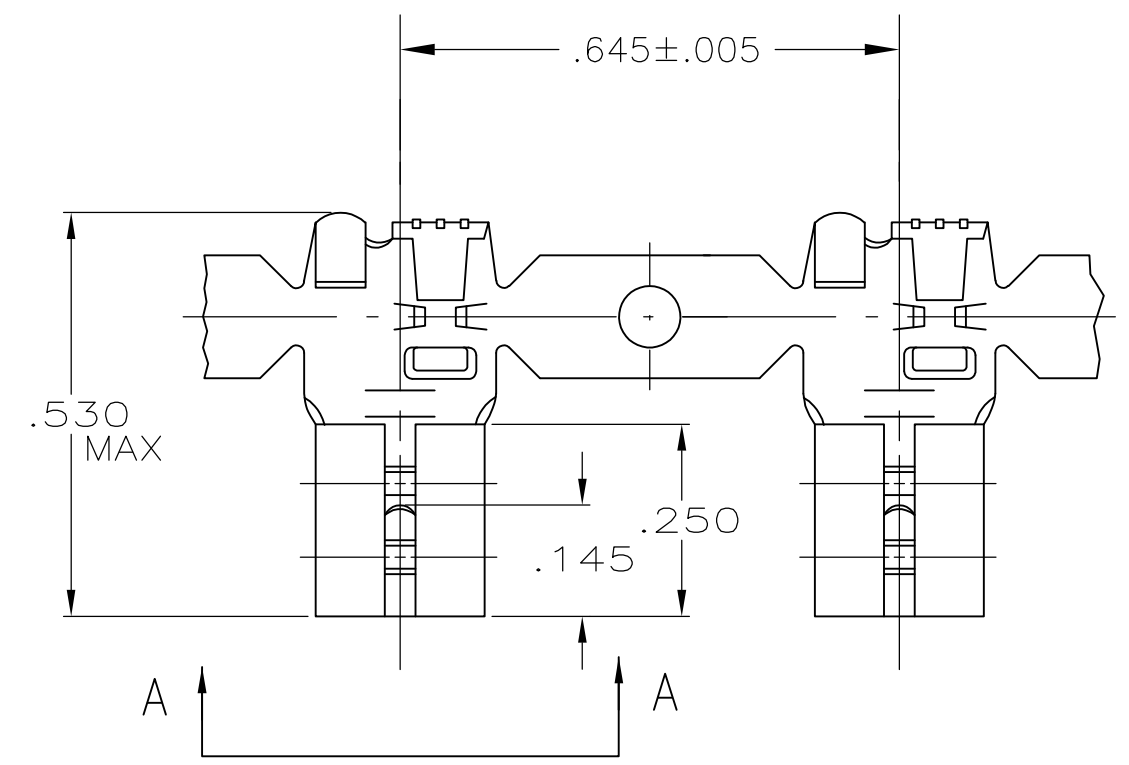
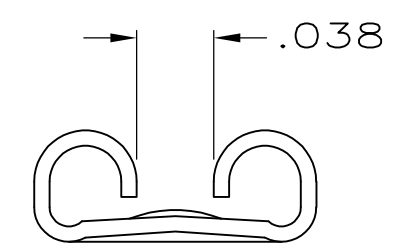


THIS DRAWING IS UNPUBLISHED. RELEASED FOR PUBLICATION
 © COPYRIGHT - By - ALL RIGHTS RESERVED.

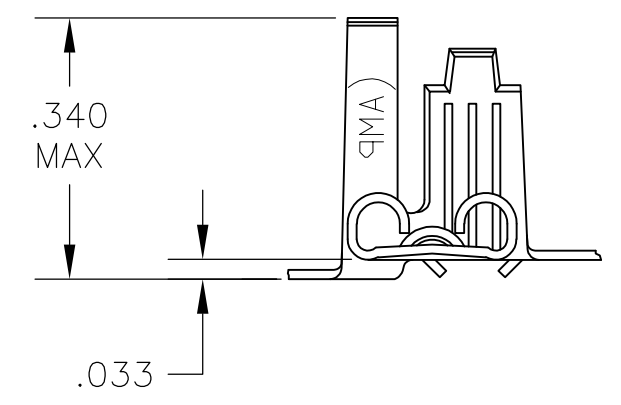
LOC	DIST	REVISIONS			
P	LTR	DESCRIPTION	DATE	DWN	APVD
AF	50	P			
		P	REVISED PER ECR-12-013445	18OCT12	KH PD



- 1 CONTINUOUS STRIP ON REELS.
- 2 WIRE SIZE IS #20-#16 AWG
- 3 INSULATION RANGE IS .110-.170 DIA
- 4 MATING TAB THK IS .020±.001



VIEW A-A



SILVER	BRASS	42486-4
NICKEL	.012 STEEL	42486-3
TIN	BRASS	42486-2
---	BRASS	42486-1
FINISH	MATERIAL	PART NO.

THIS DRAWING IS A CONTROLLED DOCUMENT.		DWN	JR RUTH	2/7/86	TE Connectivity NAME RECEPTACLE, FASTON, FLAG, .187 SERIES					
DIMENSIONS: INCHES		CHK	G YETTER	2/7/86						
		APVD	R KUZO	2/7/86						
TOLERANCES UNLESS OTHERWISE SPECIFIED:		PRODUCT SPEC								
0 PLC ± - 1 PLC ± - 2 PLC ± - 3 PLC ± .015 4 PLC ± - ANGLES ± -		APPLICATION SPEC			SIZE	CAGE CODE	DRAWING NO	RESTRICTED TO		
MATERIAL SEE TABLE		FINISH SEE TABLE		WEIGHT	-	A3	00779	C-42486	-	
CUSTOMER DRAWING					SCALE	4:1	SHEET	1 OF 1	REV	P

单击下面可查看定价，库存，交付和生命周期等信息

[>>TE Connectivity\(泰科\)](#)