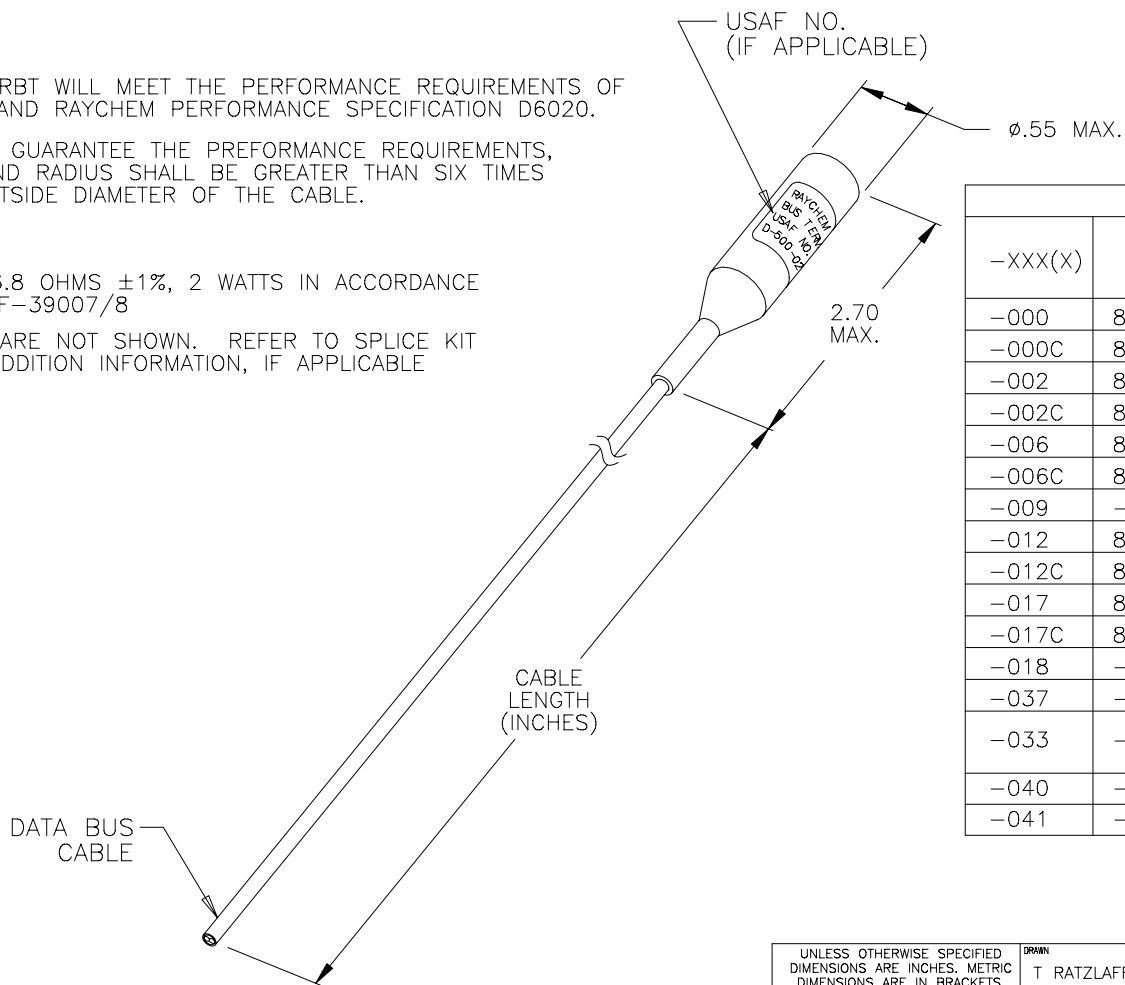


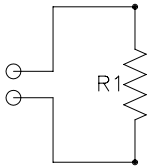
REVISION		DATE
REV	DESCRIPTION	
G	REVISED PER DCR NUMBER T31612	28JAN2003

NOTES:

- BUS TERMINATORS ARE DESIGNED TO BE SPLICED TO MIL-STD-1553B DATABUS CABLES.
- PERFORMANCE
THE TERMINATED RBT WILL MEET THE PERFORMANCE REQUIREMENTS OF MIL-STD-1553B AND RAYCHEM PERFORMANCE SPECIFICATION D6020.
- BEND RADIUS: TO GUARANTEE THE PERFORMANCE REQUIREMENTS, THE MINIMUM BEND RADIUS SHALL BE GREATER THAN SIX TIMES THE MAXIMUM OUTSIDE DIAMETER OF THE CABLE.
- MATERIALS
 - RESISTOR: 76.8 OHMS ±1%, 2 WATTS IN ACCORDANCE WITH MIL-PRF-39007/8
 - SPLICE KITS ARE NOT SHOWN. REFER TO SPLICE KIT SCD'S FOR ADDITION INFORMATION, IF APPLICABLE



TABULATION				
-XXX(X)	USAF NO.	CABLE NO.	MIN. CABLE LENGTH	SPLICE KIT
-000	8421503-AO-01	10602	12.0	D-150-0708-1
-000C	8421503-AO-02	10602	12.0	D-150-0708-3
-002	8421503-BO-01	10605	12.0	D-150-0708-1
-002C	8421503-BO-02	10605	12.0	D-150-0708-3
-006	8421503-EO-01	10614	12.0	D-150-0708-2
-006C	8421503-EO-02	10614	12.0	D-150-0708-4
-009	-----	10602	72.0	D-150-0124
-012	8421503-DO-01	10613	12.0	D-150-0708-2
-012C	8421503-DO-02	10613	12.0	D-150-0708-4
-017	8421503-CO-01	10612	12.0	D-150-0708-1
-017C	8421503-CO-02	10612	12.0	D-150-0708-3
-018	-----	10613	18.0	D-150-0708-2
-037	-----	10606	12.0	D-150-0124
-033	-----	EPD 30653Q	15.0	-----
-040	-----	10613	12.0	-----
-041	-----	10613	14.5	-----



ELECTRICAL SCHEMATIC

If this document is printed it becomes uncontrolled. Check for the latest revision.

SPECIFICATION CONTROL DRAWING			
UNLESS OTHERWISE SPECIFIED DIMENSIONS ARE INCHES. METRIC DIMENSIONS ARE IN BRACKETS.	DRN	DATE	 <small>RAYCHEM PRODUCTS 305 CONSTITUTION DRIVE MENLO PARK, CALIFORNIA 94025</small>
DECIMAL TOLERANCES .XXX ± 0.005 [0.13 mm] .XX ± 0.010 [0.25 mm] .X ± 0.020 [0.50 mm] ANGLE TOLERANCE .X ± 0.5 DEG. WEIGHT, MAX (WITHOUT CABLE) LBS. 0.013 [6.0 gm]	T RATZLAFF	28JAN2003	
CAD FILE	T31612.DWG	MATERIAL	TITLE
		FINISH	DATABUS TERMINATOR
	THIRD ANGLE PROJECTION	SIZE	CODE IDENT. NO.
		B	06090
		DWG. NO.	D-500-0263-XXX(X)
DO NOT SCALE THIS DRAWING			SHEET 1 OF 1

单击下面可查看定价，库存，交付和生命周期等信息

[>>TE Connectivity\(泰科\)](#)