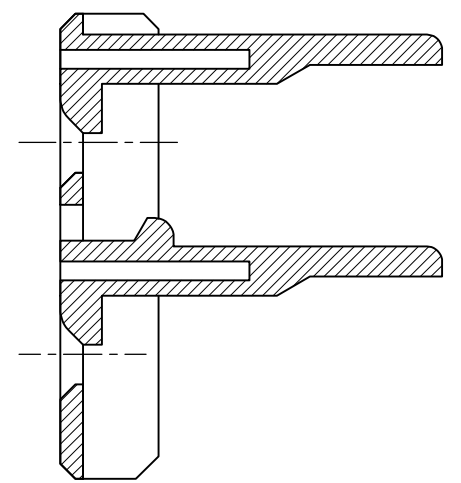
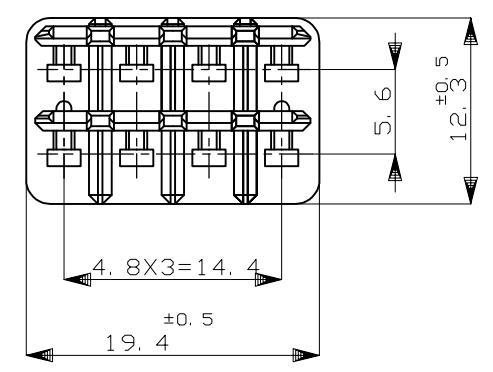
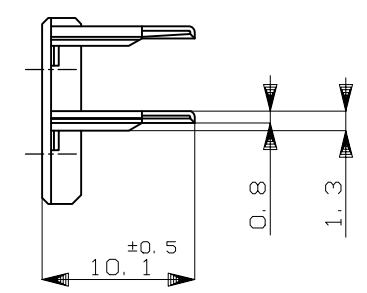
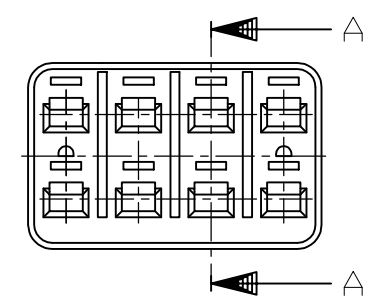
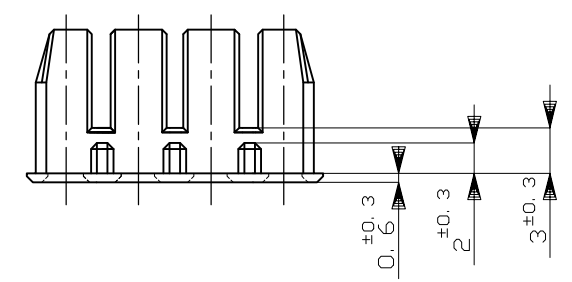


THIS DRAWING IS UNPUBLISHED. RELEASED FOR PUBLICATION
 © COPYRIGHT - By - ALL RIGHTS RESERVED.

REVISIONS					
P	LTR	DESCRIPTION	DATE	DWN	APVD
	C2	REVISED	ECR-18-009736	22JUN2018	TS HY



SECTION 断面 A-A
(尺度 5:1)

- 1. 本品は、プラグハウジング型番 174982及び 2822393に装着される
- 2. 製品規格 ; 108-5262

- 1. TO BE MATED WITH PLUG HOUSING PART NUMBER 174982 AND 2822393
- 2. PRODUCT SPECIFICATION ; 108-5262

HB	自然色 (NATURAL)	1-174983-1
V-2	黄 (YELLOW)	174983-7
使用材料難燃グレード (FLAMMABILITY OF MATERIAL)		色 (COLOR) 型番 (PART NUMBER)

GENERAL TOLERANCE

0 < * ≤ 10	: ±0.2
10 < * ≤ 30	: ±0.25
30 < * ≤ 100	: ±0.3
ANGLES	: ±3°

THIS DRAWING IS A CONTROLLED DOCUMENT.

DIMENSIONS: mm	TOLERANCES UNLESS OTHERWISE SPECIFIED:
	0 PLC ± -
	1 PLC ± -
	2 PLC ± -
	3 PLC ± -
	4 PLC ± -
ANGLES ± -	FINISH -
MATERIAL PBT	

DWN K.ODA 12/18'87	STE TE Connectivity Ltd.			
CHK M.NOGUCHI 12/18'87				
APVD M.NOGUCHI 11/4'88	NAME 8P. ECONOSEAL J-MARKII+ CONNECTOR DOUBLE LOCK PLATE FOR PLUG HOUSING			
PRODUCT SPEC SEE NOTE 2	SIZE A3	CAGE CODE 00779	DRAWING NO C-174983	RESTRICTED TO -
APPLICATION SPEC -	WEIGHT 0.6 g	CUSTOMER DRAWING		SCALE 2:1
		SHEET 1 OF 1	REV C2	

单击下面可查看定价，库存，交付和生命周期等信息

[>>TE Connectivity\(泰科\)](#)