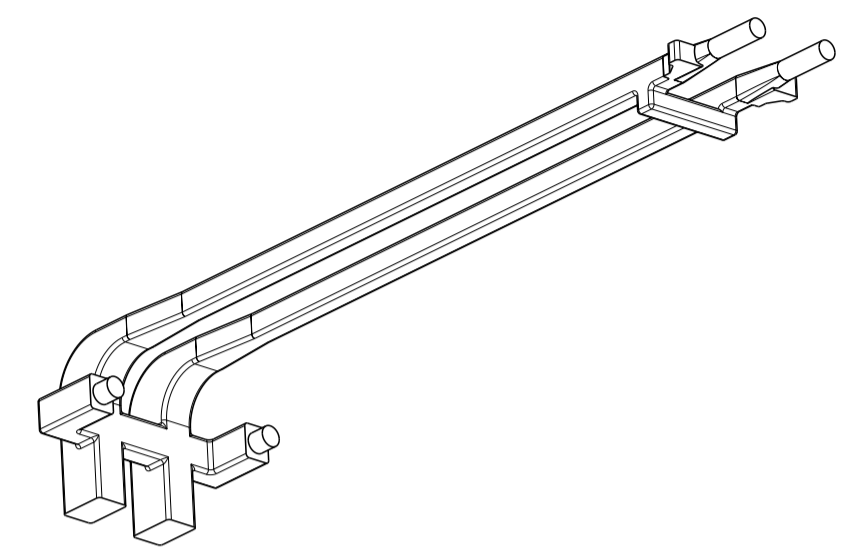
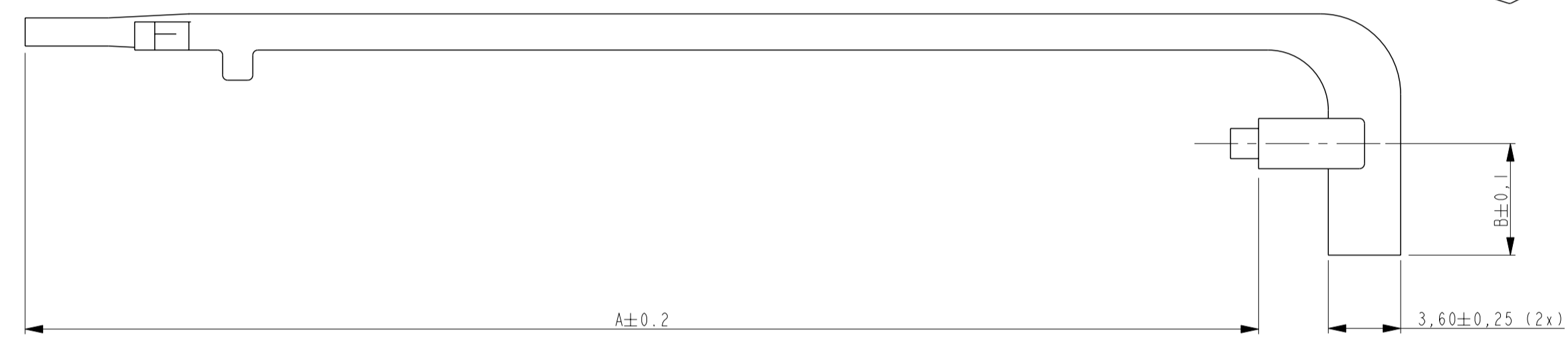
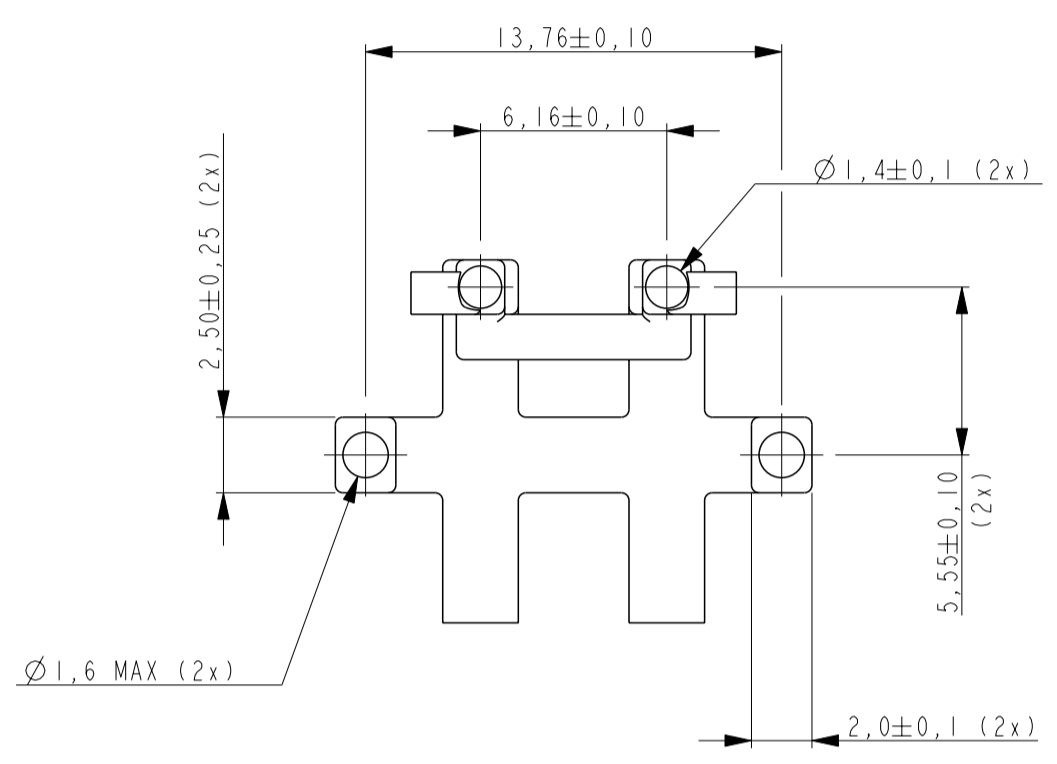
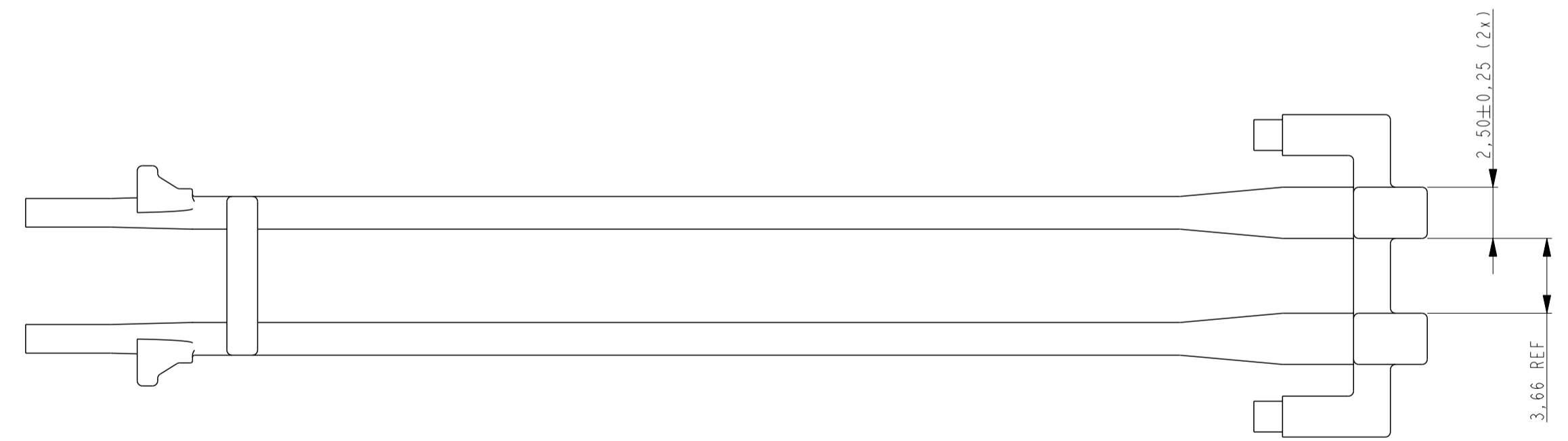


THIS DRAWING IS UNPUBLISHED. RELEASED FOR PUBLICATION 2007
 © COPYRIGHT - BY TYCO ELECTRONICS CORPORATION. ALL RIGHTS RESERVED.

LOC	DIST	REVISIONS			
P	LTR	DESCRIPTION	DATE	DWN	APVD
H	-	1	INITIAL DRAWING	08MAR2012	JvdH TdB



NOTE:
 ⚠ MATERIAL: POLYCARBONATE, CLEAR.



6,00	57,69	2173482-7
6,00	58,49	2173482-3
5,55	57,69	2173482-2
5,55	61,39	2173482-1
B	A	PART NUMBER

**PRELIMINARY PART
 NOT RELEASED FOR PRODUCTION**
**THIS PRODUCT HAS NOT COMPLETED
 VALIDATION TESTING**

THIS DRAWING IS A CONTROLLED DOCUMENT.

DIMENSIONS: mm	TOLERANCES UNLESS OTHERWISE SPECIFIED: 0 PLC ± 1 PLC ±0,5 2 PLC ±0,13 3 PLC ±0,013 4 PLC ±0,0001 ANGLES ± FINISH	DWN 08 MAR 2012 J.V.D.HELJDEN CHK 08 MAR 2012 B.MOOLJ APVD 09 MAR 2012 I.D.ROER	NAME LIGHT PIPE, DOUBLE, BEHIND BEZEL, GANGED zQSFP+
MATERIAL		PRODUCT SPEC - APPLICATION SPEC 114-32021 WEIGHT -	SIZE A2
		CUSTOMER DRAWING	RESTRICTED TO -

TE Connectivity

SCALE 4:1 SHEET 1 OF 1 REV 1

单击下面可查看定价，库存，交付和生命周期等信息

[>>TE Connectivity\(泰科\)](#)