

THIS DRAWING IS UNPUBLISHED. RELEASED FOR PUBLICATION 20
 © COPYRIGHT 20 BY TYCO ELECTRONICS CORPORATION. ALL RIGHTS RESERVED.

LOC	DIST	REVISIONS					
GP	00	P	LTR	DESCRIPTION	DATE	DWN	APVD
			A	NEW RELEASE	01MAR2007	RG	PD

1. PART NUMBER CHANGES AND OR DESIGN CHANGES AFFECTING ITEM INTERCHANGEABILITY REQUIRE PRIOR TYCO APPROVAL AND AUTHORIZATION BY REVISION TO THIS DRAWING.

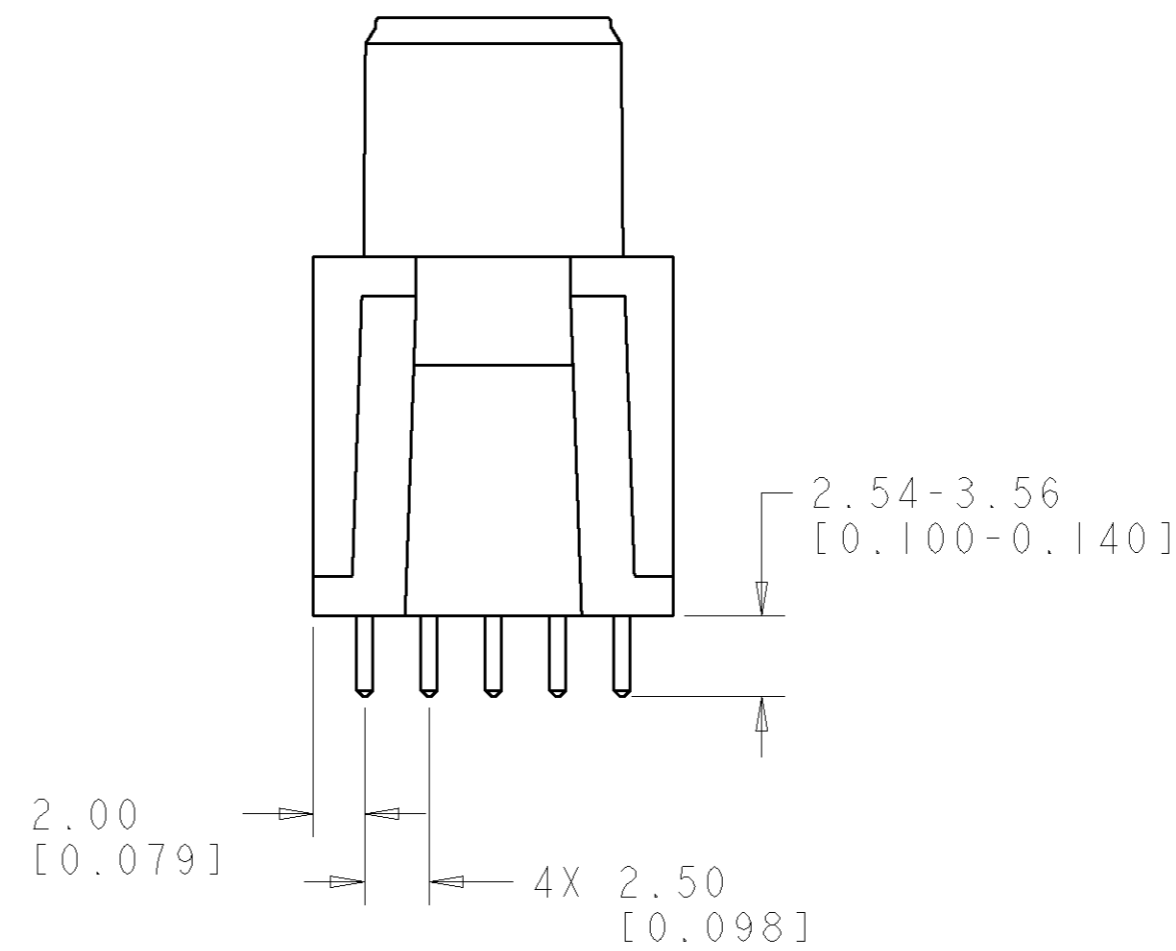
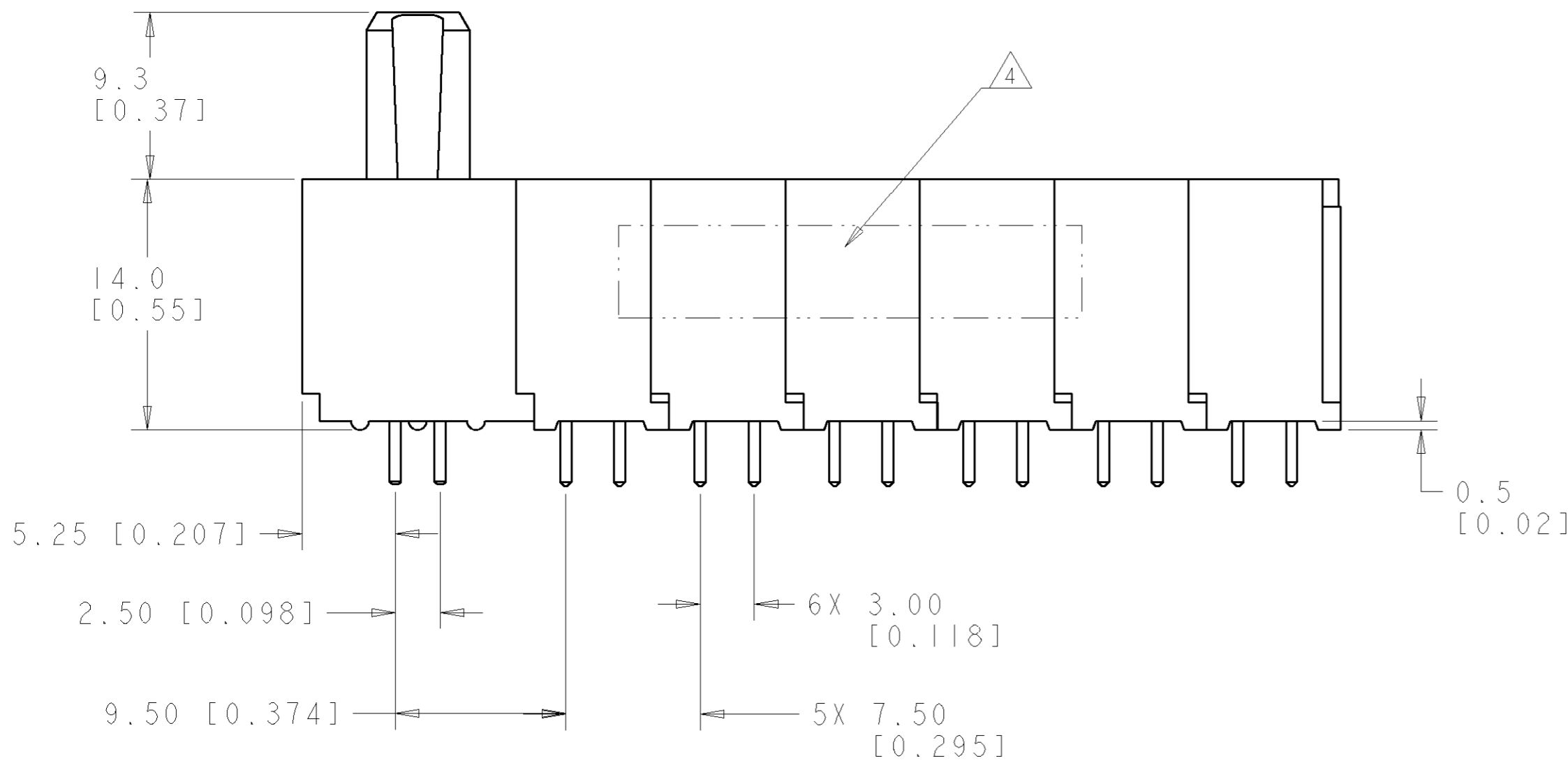
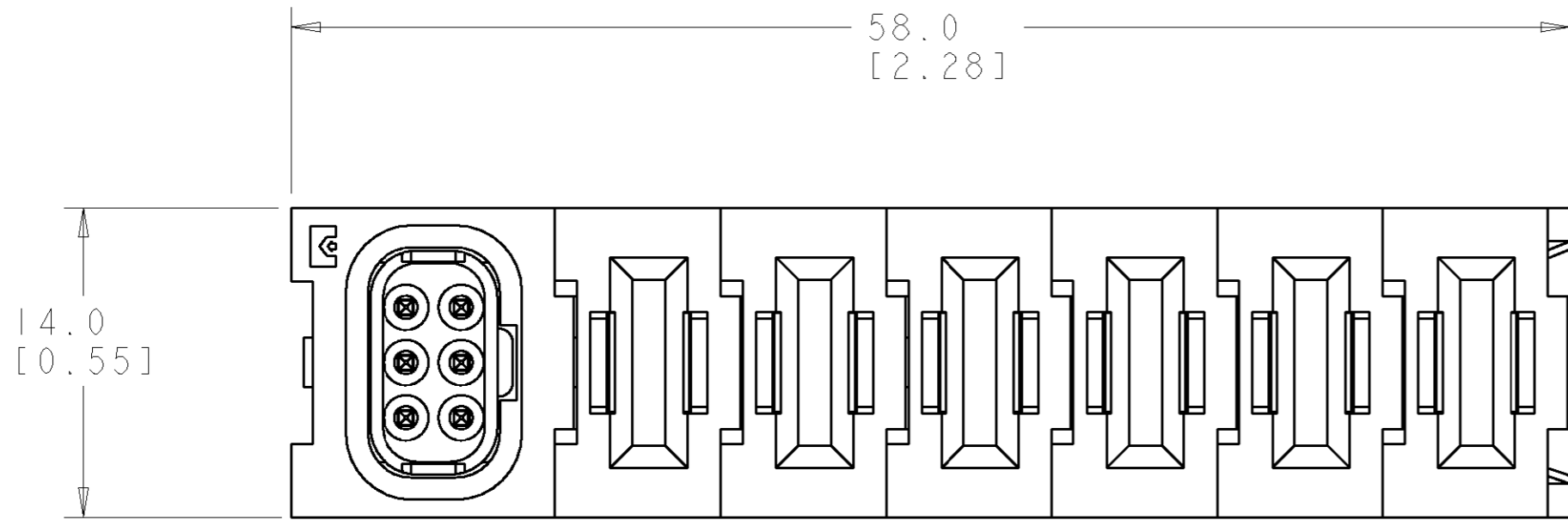
2. MATERIAL:
 INSULATORS - THERMOPLASTIC, GLASS REINFORCED, COLOR: BLACK, UL94V-0 FLAMMABILITY RATED.
 POWER CONTACTS - PHOSPHOR BRONZE ALLOY, COPPER ALLOY
 CROWN BANDS - BERYLLIUM COPPER ALLOY
 SIGNAL CONTACTS - BRASS ALLOY

3. FINISH:
 CONTACTS - GOLD PLATE .76µm MIN. THK. OVER
 NICKEL 1.27µm MIN. THK,
 SOLDER TAILS TIN 3.05µm MIN. THK. OVER
 NICKEL 1.27µm MIN. THK,

△ ITEMS PROVIDED TO THIS SPECIFICATION TO BE PERMANENTLY IDENTIFIED PER THE FOLLOWING IDENTIFIER LABEL

YEAR WEEK
 TYCO PART NO. DATE CODE (e.g. 0106)
 XXXXXXXX-X XXXX

5. MATES WITH TYCO P/N 1926427-1



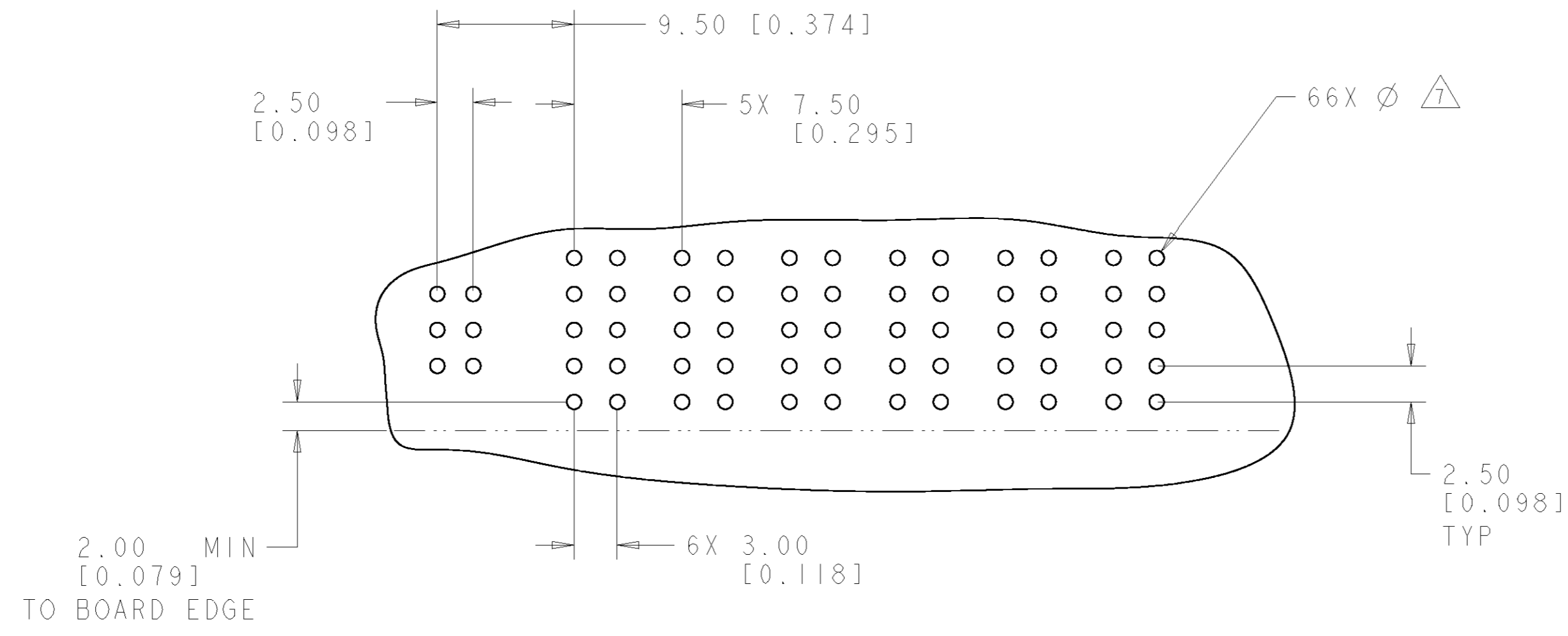
AS SHOWN	1926428-1
DESCRIPTION	PART NUMBER

THIS DRAWING IS A CONTROLLED DOCUMENT FOR TYCO ELECTRONICS CORPORATION. IT IS SUBJECT TO CHANGE AND THE CONTROLLING ENGINEERING ORGANIZATION SHOULD BE CONTACTED FOR THE LATEST REVISION.		DWN R. GRZYBOWSKI 01MAR07	Tyco Electronics Harrisburg, PA 17105-3608
DIMENSIONS: mm [INCHES]		CHK P. DAMATO 01MAR07	
TOLERANCES UNLESS OTHERWISE SPECIFIED:		APVD S. FLICKINGER 01MAR07	
0 PLC ±.5 [.020] 1 PLC ±.25 [.010] 2 PLC ±.25 [.010] 3 PLC ±.25 [.010] 4 PLC ±.25 [.010] ANGLES ±.5 FINISH		NAME SOCKET CONNECTOR, STRAIGHT, SOLDER TAILS	
MATERIAL		PRODUCT SPEC -	SIZE A2
		APPLICATION SPEC -	CAGE CODE 00779
		WEIGHT -	DRAWING NO. 1926428
		CUSTOMER DRAWING	RESTRICTED TO -
SCALE 4:1			SHEET 1 OF 3
			REV A

ELCON FLATPAQ

THIS DRAWING IS UNPUBLISHED. RELEASED FOR PUBLICATION 20
 © COPYRIGHT 20 BY TYCO ELECTRONICS CORPORATION. ALL RIGHTS RESERVED.

LOC	DIST	REVISIONS					
GP	00	P	LTR	DESCRIPTION	DATE	DWN	APVD
		-		SEE SHEET 1	-	-	-



PRINTED CIRCUIT LAYOUT
 SCALE 3:1

CONNECTOR	CATALOG MODULE #	QTY	SIZE NO.	CONTACT QTY	MATING PIN	MAX. CURRENT (PER CONTACT)	CONTACT SPACING	VOLTAGE RATING
SOCKET	FP100	6	8	12	1.25 X 7.00 [.049 X .276]	35 amps	7.50 [.2953]	250
	FP313	1	22	6	.64 [.025] SQ.	3 amps	2.50 [.0984]	125 VOLTS

THIS DRAWING IS A CONTROLLED DOCUMENT FOR TYCO ELECTRONICS CORPORATION. IT IS SUBJECT TO CHANGE AND THE CONTROLLING ENGINEERING ORGANIZATION SHOULD BE CONTACTED FOR THE LATEST REVISION.

DWN: R. GRZYBOWSKI 01MAR07
 CHK: P. DAMATO 01MAR07
 APVD: S. FLICKINGER 01MAR07

tyco Tyco Electronics
 Harrisburg, PA 17105-3608

NAME: SOCKET CONNECTOR, STRAIGHT, SOLDER TAILS

PRODUCT SPEC: -
 APPLICATION SPEC: -
 WEIGHT: -

MATERIAL: -
 FINISH: -

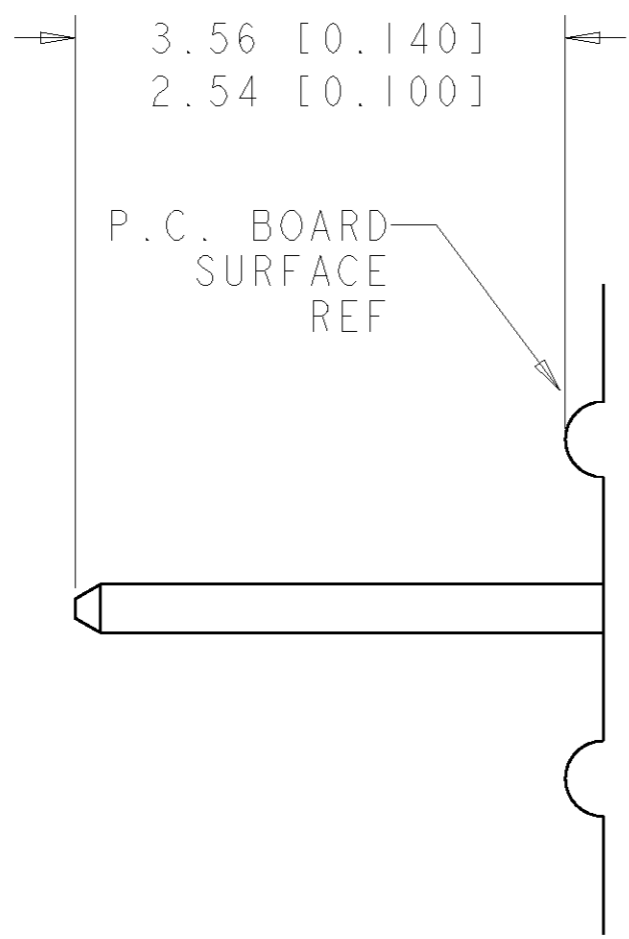
SIZE: A2 CAGE CODE: 00779 DRAWING NO: 1926428 RESTRICTED TO: -
 SCALE: 4:1 SHEET 2 OF 3 REV A

CUSTOMER DRAWING

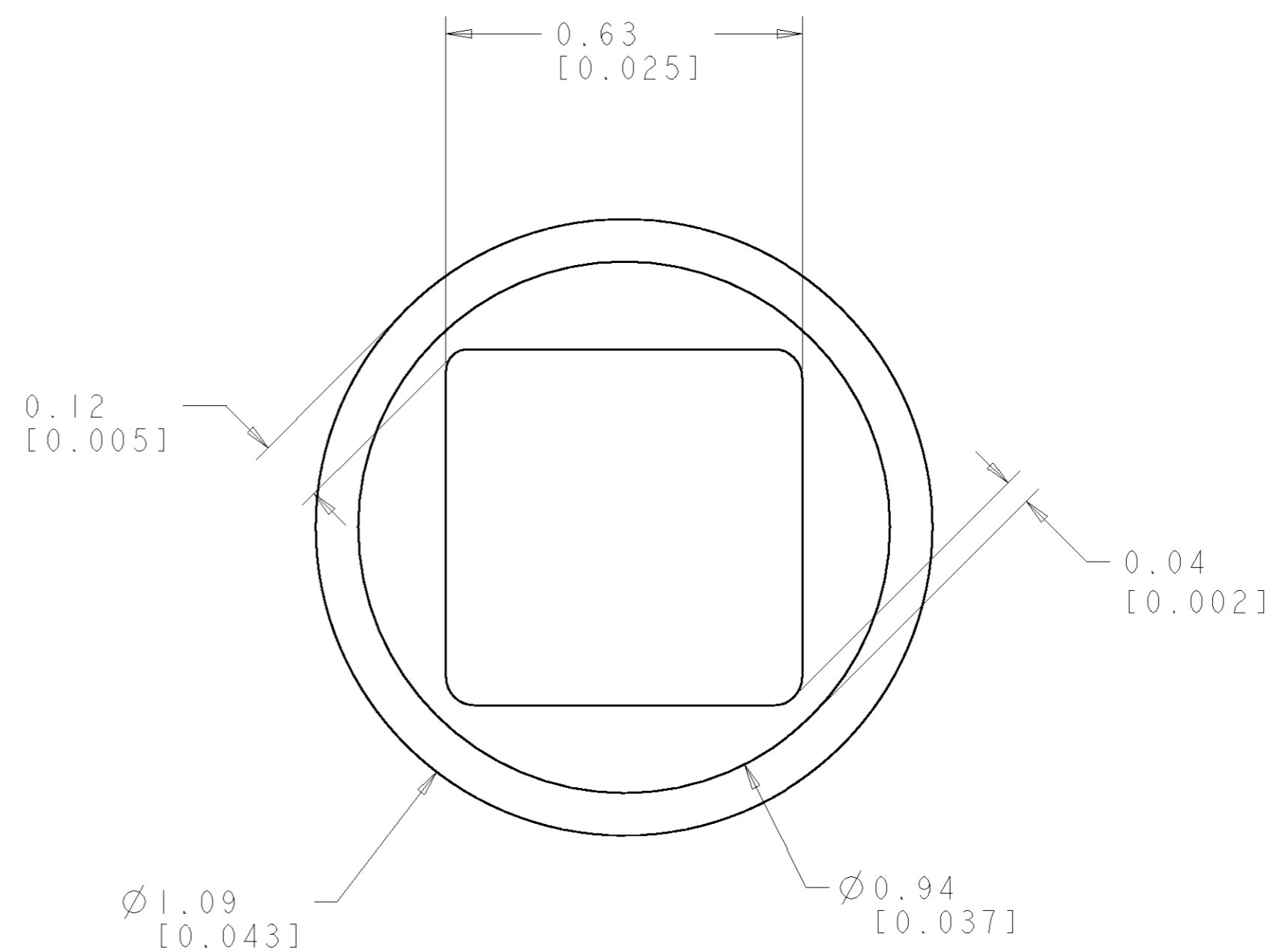
ELCON FLATPAQ

THIS DRAWING IS UNPUBLISHED. RELEASED FOR PUBLICATION 20
 © COPYRIGHT 20 BY TYCO ELECTRONICS CORPORATION. ALL RIGHTS RESERVED.

LOC	DIST	REVISIONS			
P	LTR	DESCRIPTION	DATE	DWN	APVD
GP	00	-	SEE SHEET 1	-	-



6. SOLDER TAIL DETAIL
SCALE 10 : 1



7. SOLDER TERMINATION AREA
SCALE 40:1

RECOMMENDED PRINTED CIRCUIT HOLE
 SOLDER HOLE
 FINISHED HOLE: Ø1.02 [0.040] ±.08 [0.003]
 DRILLED HOLE: Ø1.15 [0.0453] ±.013 [0.0005]
 COPPER PLATE: .025 [0.0010] MIN
 TIN PLATE: .008 [0.0003] MIN. (PER SURFACE)

ELCON FLATPAQ

THIS DRAWING IS A CONTROLLED DOCUMENT FOR TYCO ELECTRONICS CORPORATION IT IS SUBJECT TO CHANGE AND THE CONTROLLING ENGINEERING ORGANIZATION SHOULD BE CONTACTED FOR THE LATEST REVISION.		DWN R. GRZYBOWSKI CHK P. DAMATO APVD S. FLICKINGER	Tyco Electronics Harrisburg, PA 17105-3608	
DIMENSIONS: mm [INCHES]	TOLERANCES UNLESS OTHERWISE SPECIFIED:	NAME SOCKET CONNECTOR, STRAIGHT, SOLDER TAILS	SIZE A200779	DRAWING NO G-1926428
0 PLC ±	1 PLC ±.5 [0.020]	APPLICATION SPEC	RESTRICTED TO	
2 PLC ±.25 [0.010]	3 PLC ±	WEIGHT		
4 PLC ±	ANGLES ±.5	CUSTOMER DRAWING	SCALE 4:1	SHEET 3 OF 3
MATERIAL	FINISH			REV A

单击下面可查看定价，库存，交付和生命周期等信息

[>>TE Connectivity\(泰科\)](#)