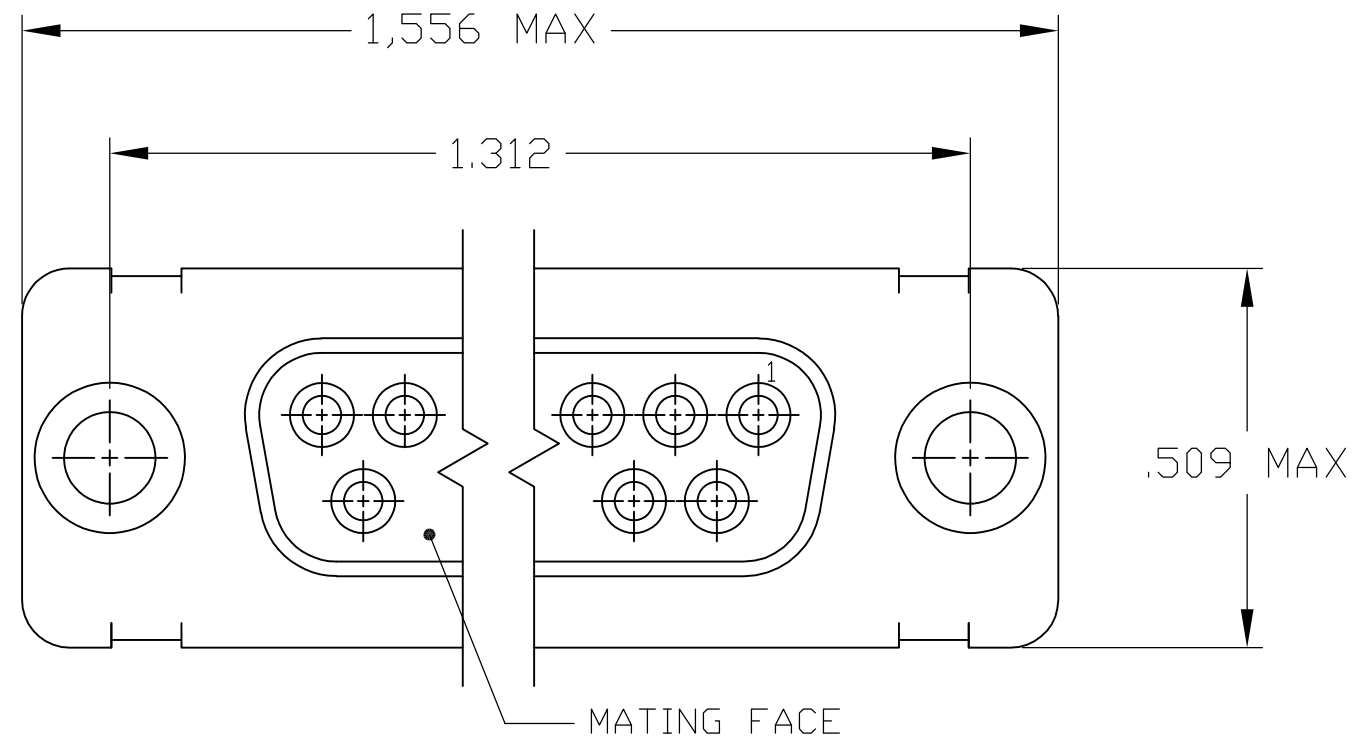


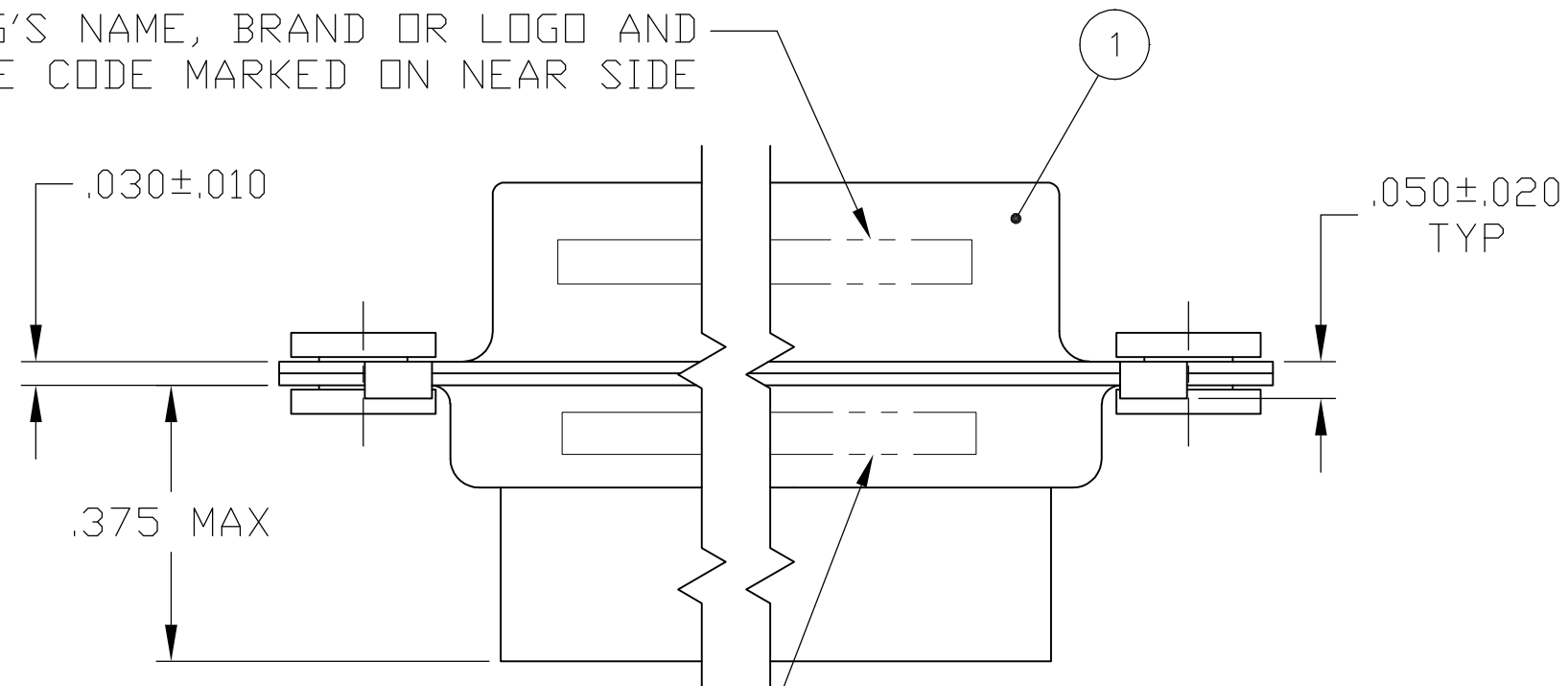
THIS DRAWING IS UNPUBLISHED. RELEASED FOR PUBLICATION
 © COPYRIGHT BY TYCO ELECTRONICS CORPORATION. ALL INTERNATIONAL RIGHTS RESERVED.

LOC		DIST		REVISIONS			
P	LTR	DESCRIPTION	DATE	DWN	APVD		
H		REV PER ECO 09-016309	9-1-09	CT	RL		

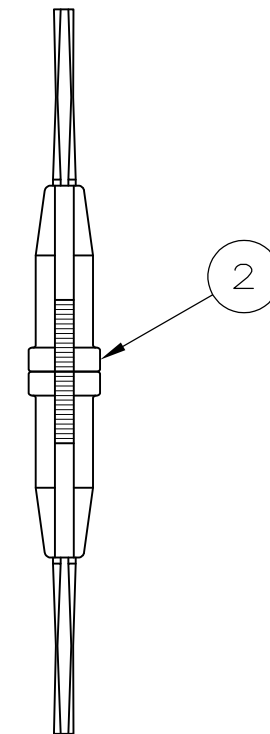
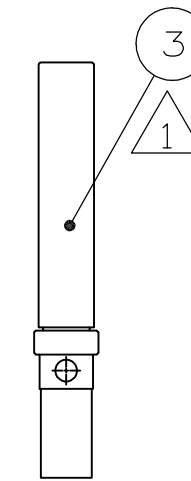
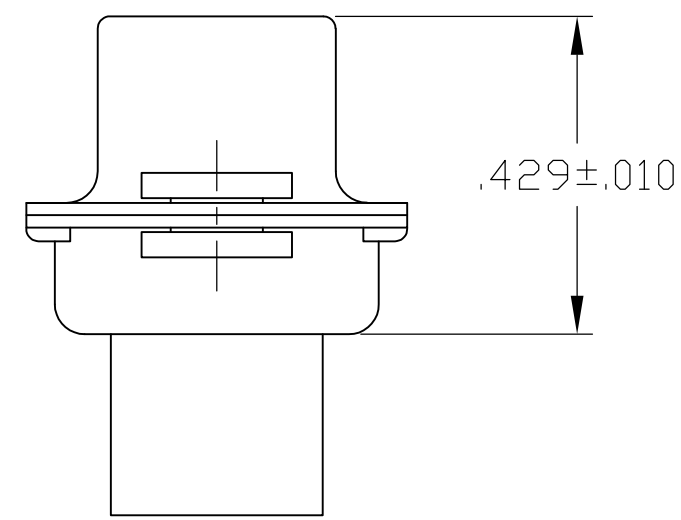


- 1. CONTACTS (ITEM #3) PACKAGED SEPARATELY AND SHIPPED WITH CONNECTOR.
- 2. FOR CONNECTOR ASSEMBLIES WITHOUT CONTACTS, TE CONTACT PART NO. 205090-1 MUST BE ORDERED SEPARATELY. CONNECTORS WITH CONTACTS ARE SUPPLIED WITH CONTACT 205090-1

MFG'S NAME, BRAND OR LOGO AND DATE CODE MARKED ON NEAR SIDE



MILITARY PART NO. (SEE TABLE) MARKED ON FAR SIDE



SUPERSEDED BY 205433-2 AND 91067-2	205433-3	M24308/2-35F	205090-1	91067-2	205417-1	205433-3
	205433-2	M24308/2-24F	205090-1	--	205417-1	205433-2
SUPERSEDED BY 205417-1 AND 91067-2	205433-1	-	-	91067-2	205417-1	205433-1
	TE P/N MARKED ON PACKAGE	MILITARY P/N MARKED ON PACKAGE	3 SOCKET CONTACT QTY. = 15	2 INSERTION/EXTRACTION TOOL QTY. = 1	1 RECEPTACLE ASSY QTY. = 1	PART NUMBER

THIS DRAWING IS A CONTROLLED DOCUMENT.		DWN P. YEAGER 10MAR09	Tyco Electronics Corporation Harrisburg, PA 17105-3608	
DIMENSIONS: INCHES		CHK R. LEASE 12MAR09		
TOLERANCES UNLESS OTHERWISE SPECIFIED:		APVD R. LEASE 12MAR09	NAME	
0 PLC ± - 1 PLC ± - 2 PLC ± - 3 PLC ± .005 4 PLC ± - ANGLES ± - FINISH -		PRODUCT SPEC	KIT, HDM SERIES RECEPTACLE, SIZE 2 WITH FLOAT BUSHINGS	
MATERIAL		APPLICATION SPEC	SIZE A2	CAGE CODE 00779
		WEIGHT -	DRAWING NO C=205433	RESTRICTED TO -
		CUSTOMER DRAWING	SCALE 4:1	SHEET 1 of 1

205433

A

单击下面可查看定价，库存，交付和生命周期等信息

[>>TE Connectivity\(泰科\)](#)