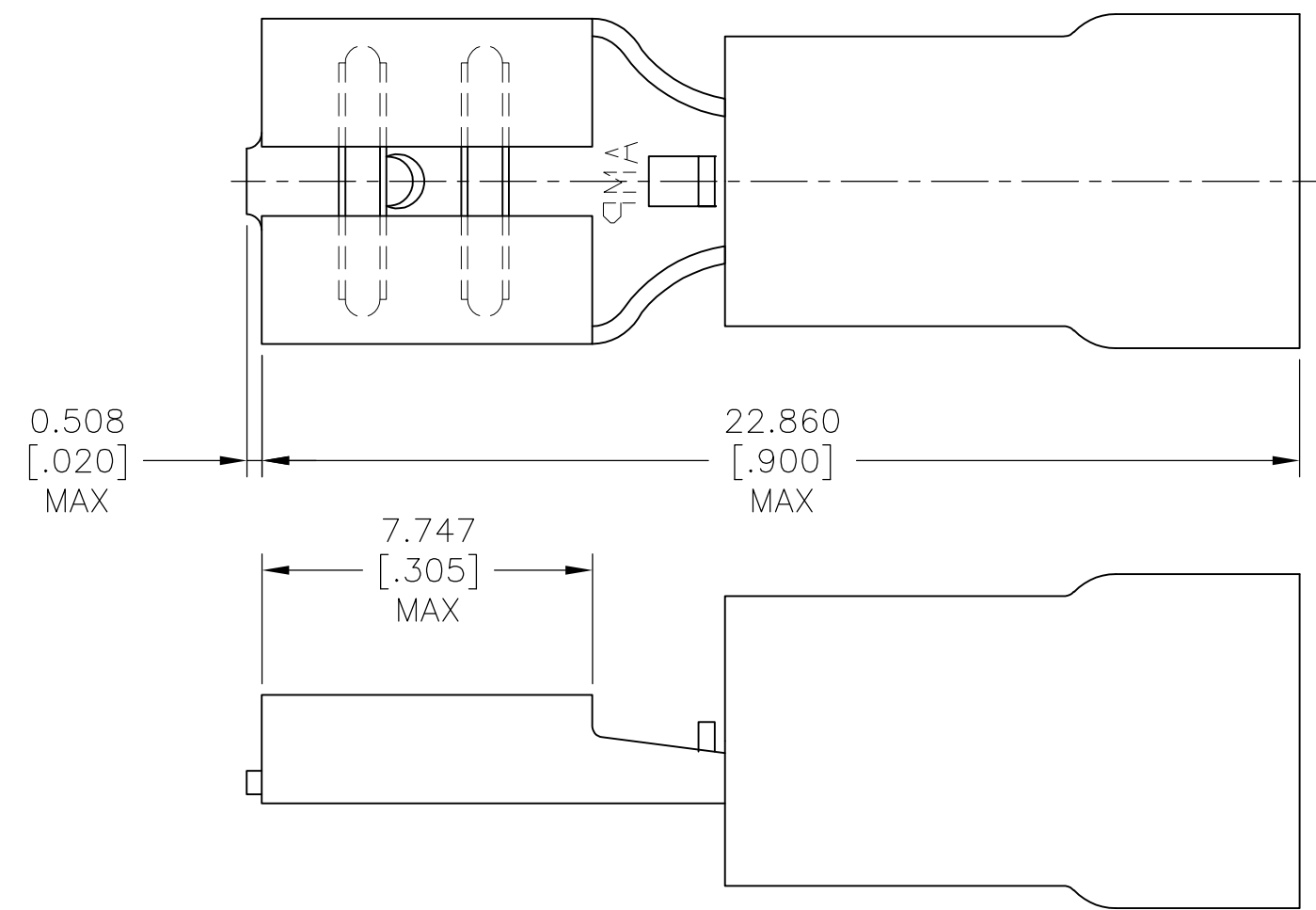


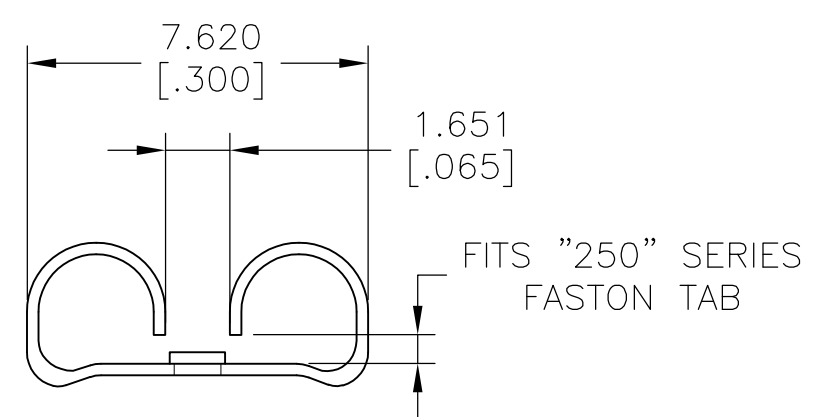
THIS DRAWING IS UNPUBLISHED. RELEASED FOR PUBLICATION
 © COPYRIGHT - By - ALL RIGHTS RESERVED.

REVISIONS					
P	LTR	DESCRIPTION	DATE	DWN	APVD
	N2	REVISED PER ECO-11-004587	11MAR11	RK	HMR
	N3	REVISED PER ECR-17-002552	03MAR2017	RS	MZ



AMP WIRE RANGE	FILE E66717	LR7189 Certified
16-14 AWG STRANDED	16-14 AWG STRANDED	16-14 AWG STRANDED

- 1 INSULATION DIA $\phi 4.318[\phi.170]$ MAX.
- 2 FITS TAB 0.812[.032] THK.
- 3 NOTE DELETED.
- 4 MATERIAL: BODY, BRASS PER ASTM B36, $0.457\pm 0.050[.018\pm.002]$
SLEEVE: COPPER PER ASTM B152,
INSULATION: NYLON PER ASTM D4066.
- 5 FINISH: BODY & SLEEVE: TIN PLATE $0.00254[.000100]$ MIN. EXT. THK. PER ASTM B545.



100	LOOSE PC,BOX	8-640905-1
3500	TAPE MOUNTED	640905-2
1000	LOOSE PIECE	640905-1
QTY	PACKAGE TYPE	PART NO

AMP INCORPORATED CUSTOMER SERVICE SYSTEMS	
FOR ADDITIONAL PRODUCT INFORMATION OR COPIES OF DRAWINGS AND TECHNICAL DOCUMENTS	PRODUCT INFORMATION CENTER 1-800-522-6752
FOR APPLICATION TOOLING INFORMATION	TOOLING ASSISTANCE CENTER 1-800-722-1111
FOR ORDER ENTRY	1-800-526-5142

MAX RECOMMENDED OPERATING TEMPERATURE: 105°C [221°F]
VOLTAGE RATING: 300V MAX
CIRCULAR MIL AREA: 1.04-2.62mm ² [2,050-5,180] STRANDED

THIS DRAWING IS A CONTROLLED DOCUMENT.	
DIMENSIONS: mm [INCHES]	TOLERANCES UNLESS OTHERWISE SPECIFIED:
	0 PLC ± - 1 PLC ± - 2 PLC ± - 3 PLC ± 0.127[.005] 4 PLC ± - ANGLES ± -
MATERIAL	FINISH
4	5

DWN L OLMEDA 26JUN95
CHK M ELLIS 26JUN95
APVD B BARE 26JUN95
PRODUCT SPEC UL 310
APPLICATION SPEC 114-1002
WEIGHT -
CUSTOMER DRAWING

TE Connectivity			
NAME RECEPTACLE, 250 SERIES, FASTON , PIDG , 16-14 AWG.			
SIZE A3	CAGE CODE 00779	DRAWING NO C-640905	RESTRICTED TO -
SCALE 6:1		SHEET 1 OF 1	REV N3

单击下面可查看定价，库存，交付和生命周期等信息

[>>TE Connectivity\(泰科\)](#)