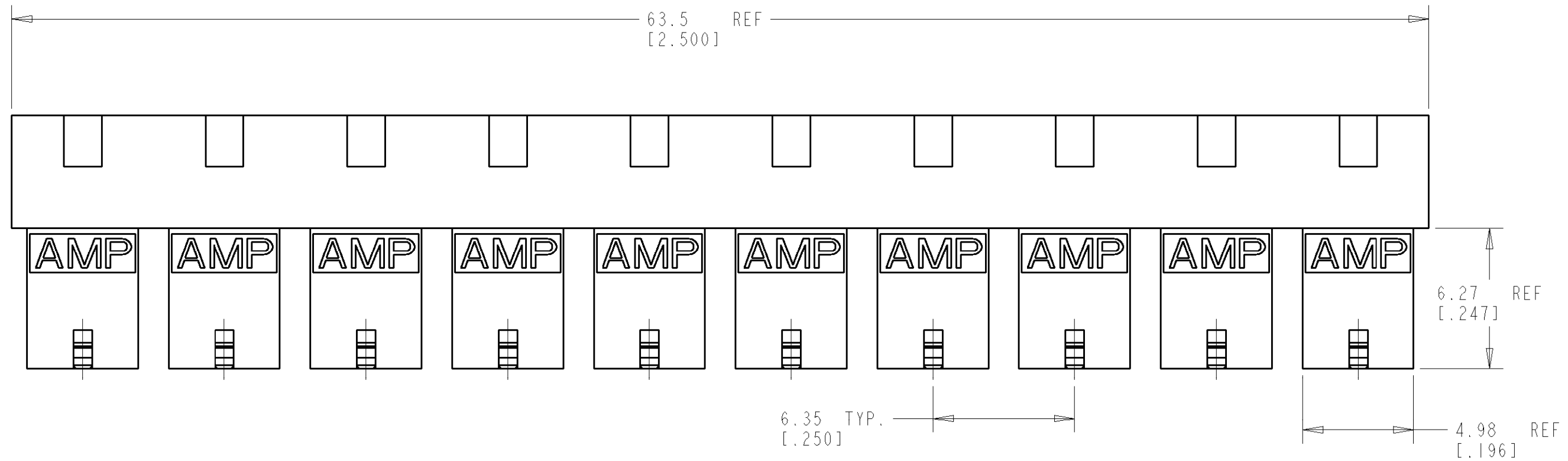
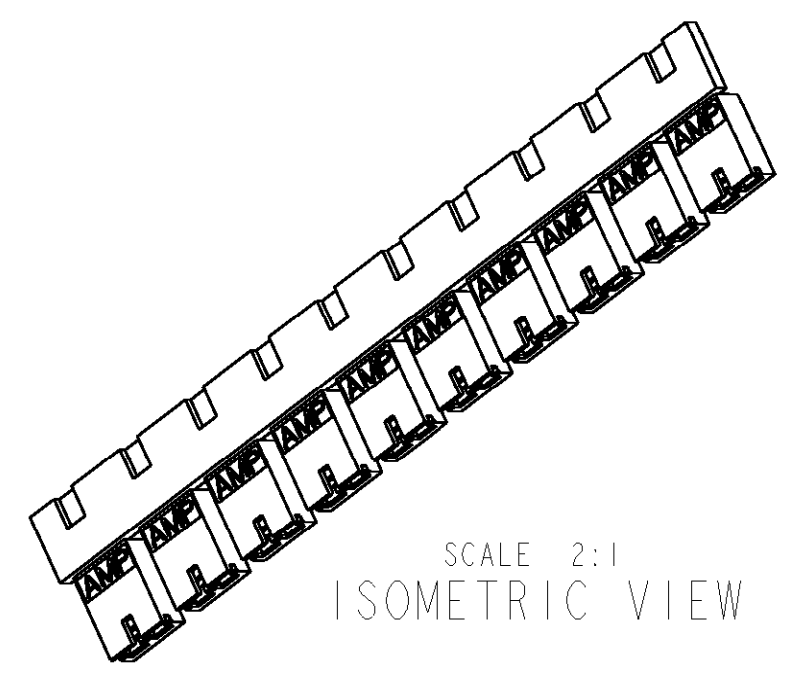
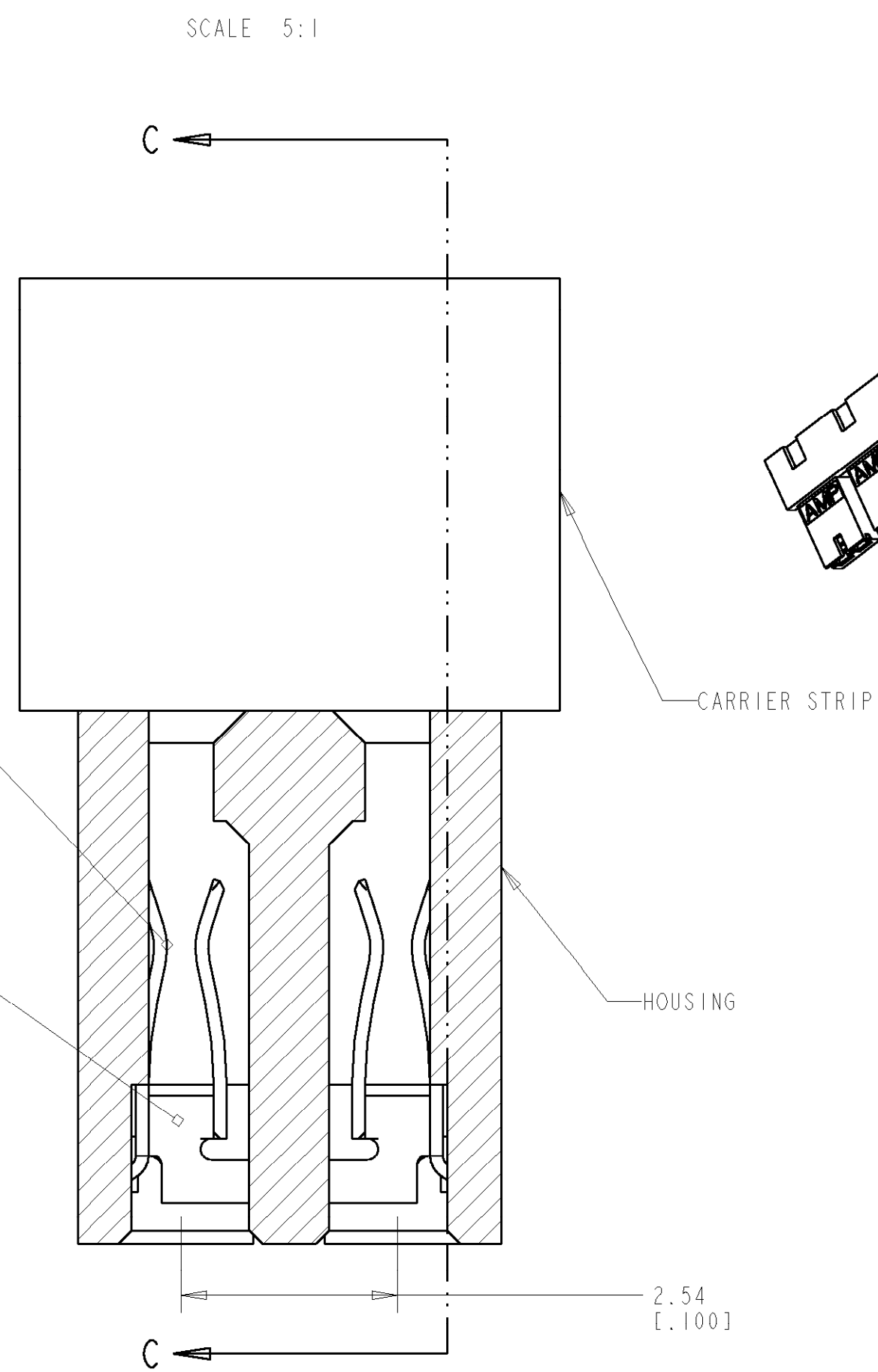
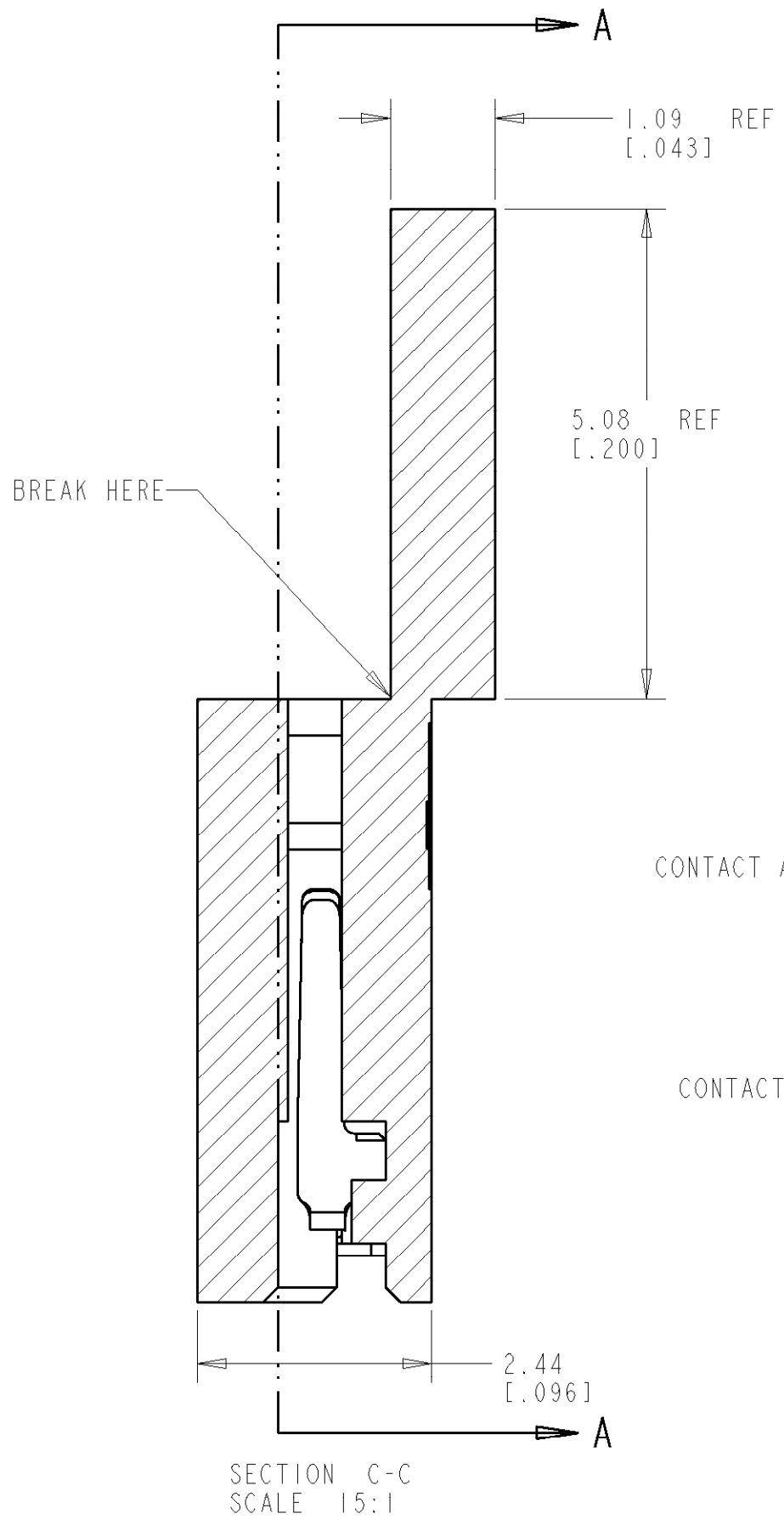


LOC	DIST	REVISIONS					
AG	53	P	LTR	DESCRIPTION	DATE	DWN	APVD
		A3		REVISED PER ECO-15-004656	30MAR2015	NK	MM



- MATERIAL:  
HOUSING: GLASS-FILLED POLYESTER  
CONTACT: PHOSPHOR BRONZE
  - CONNECTOR MATES WITH 0.64 [0.25] SQUARE POSTS.
  - PART DENOTES INDIVIDUAL TWO POSITION SHUNT WHICH IS PACKAGED ON BREAKAWAY COMBS OF TEN SHUNTS.
- 4 ASSEMBLIES ARE DELIVERED IN STICKS OF TEN PARTS.
  - 5 FINISH: 1.27μm [0.00050] MIN NICKEL UNDERPLATE OVERALL.
  - 6 FINISH: 0.76μm [0.00030] MIN GOLD IN CONTACT AREA.
  - 7 FINISH: 0.38μm [0.00015] MIN GOLD IN CONTACT AREA.



YELLOW	15AU	390088-6	4	5	7
YELLOW	30AU	390088-5	4	5	6
BLUE	15AU	390088-4	4	5	7
BLUE	30AU	390088-3	4	5	6
BLACK	15AU	390088-2	4	5	7
BLACK	30AU	390088-1	4	5	6
HOUSING COLOR	GOLD PLATING	PART NUMBER	NOTES		

DIMENSIONS: MM [INCH]		TOLERANCES UNLESS OTHERWISE SPECIFIED:		DWN: 22-Sep-99 D. WIEBKING	TE Connectivity
		0 PLC ± 1 PLC ± 2 PLC ± 3 PLC ±.003 4 PLC ± ANGLES ±		CHK: 14-NOV-97 DGH	
MATERIAL: SEE NOTE 1		FINISH: SEE NOTE 3		APVD: 14-NOV-97 PPS	
SEE NOTE 1		SEE NOTE 3		PRODUCT SPEC: - APPLICATION SPEC: - WEIGHT: -	
CUSTOMER DRAWING				NAME: SHUNT, DUAL BEAM .100 CL	SIZE: A2
				CAGE CODE: 00779	DRAWING NO: 390088
				SCALE: SHT	SHEET: 1 OF 1
				REV: A3	

390088

单击下面可查看定价，库存，交付和生命周期等信息

[>>TE Connectivity\(泰科\)](#)