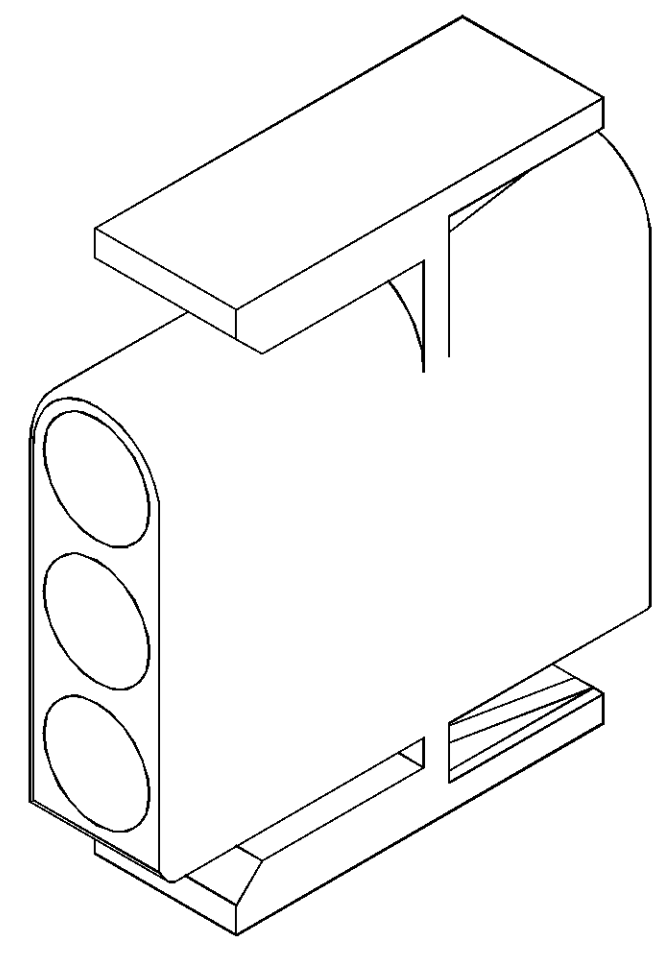


1. TO BE USED WITH .140 SERIES SOCKETS.
2. TO BE USED WITH CAP 794061.



3-DIMENSIONAL MODEL  
NTS



6.99	.275	-	-
6.10	.240	26.80	1.055
3.56	.140	24.13	.950
0.13	.005	19.18	.755
MM	IN	MM	IN

CONVERSION TABLE



<small>THIS DRAWING IS A CONTROLLED DOCUMENT FOR AMP INCORPORATED. IT IS SUBJECT TO CHANGE AND THE CONTROLLING ENGINEERING REGULATION SHALL BE CONTACTED FOR THE LATEST REVISION.</small>		DWN K. WHITAKER 4-21-95 CHK R. SWING 4-21-95 APVD C. MARTIN 4-25-95	<b>AMP</b> AMP Incorporated Harrisburg, PA 17105-3608
DIMENSIONS: mm	TOLERANCES UNLESS OTHERWISE SPECIFIED: Ø PLG ±.010 PLG ±.013 PLG ±.010 ANGLE 40°±30' FINISH -	PRODUCT SPEC - APPLICATION SPEC - WEIGHT -	NAME PLUG, 3 CIRCUIT, .140 MATE-N-LOK™ SIZE A1 CAGE CODE 00779 DRAWING NO 794060
MATERIAL NYLON, UL 94V-2, BLACK	FINISH -	CUSTOMER DRAWING	SCALE 4:1 SHEET 1 OF 1 REV 0

794060-1  
PART NUMBER

单击下面可查看定价，库存，交付和生命周期等信息

[>>TE Connectivity\(泰科\)](#)