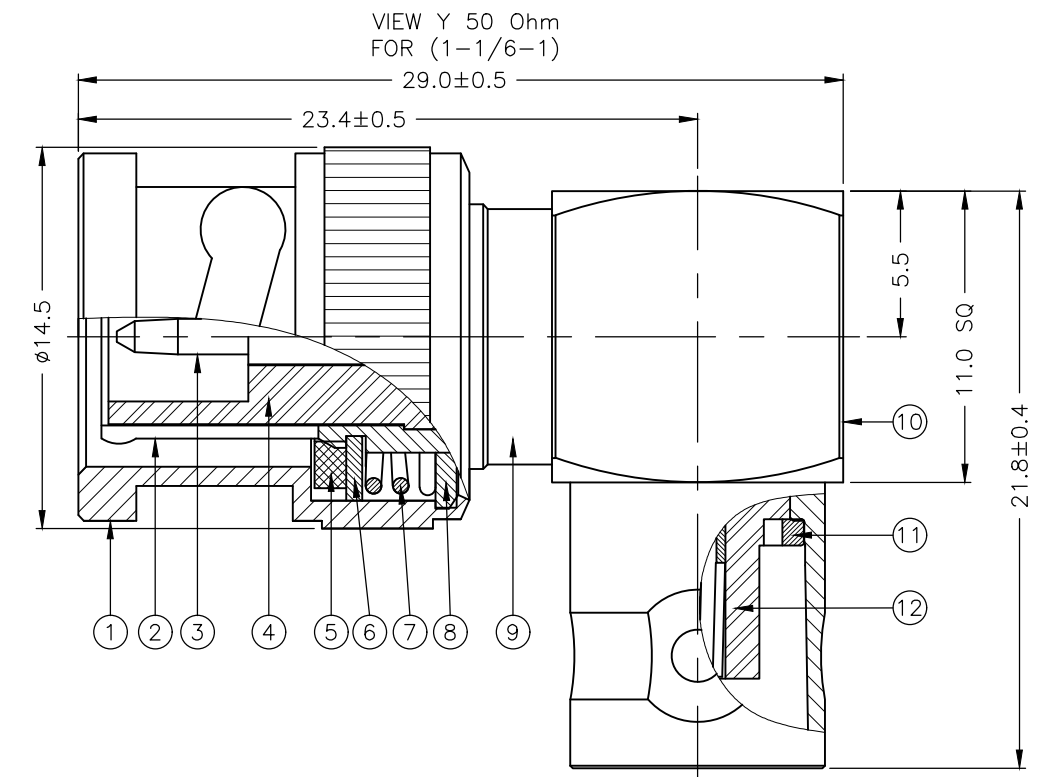
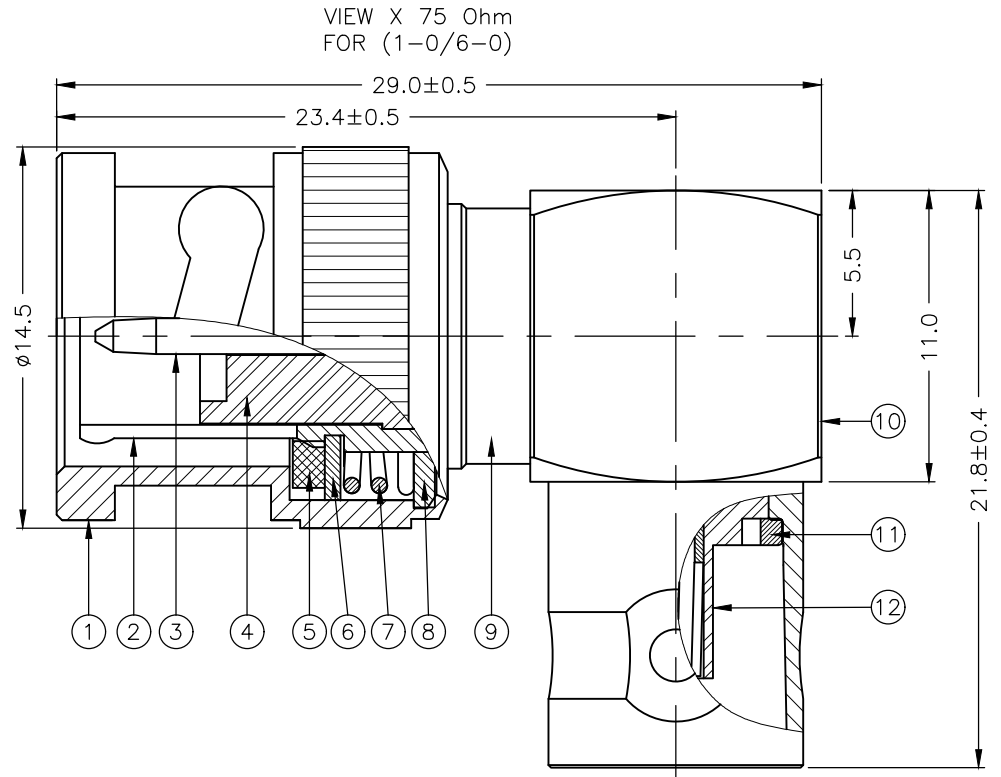


THIS DRAWING IS UNPUBLISHED. RELEASED FOR PUBLICATION JAN , 2006.
 © COPYRIGHT 2006 By - ALL RIGHTS RESERVED.

P	LTR	DESCRIPTION	DATE	DWN	APVD
E1	ECR-19-012262		05AUG2019	RZ	RS

- NOTES:
- 1 SINGLE PACKING: ONE CONNECTOR PER LABELED BAG PACKAGED. LABELED PER TEC-107-115
 - 2 TRAY PACKAGED
 - 3 Au PLATING
 - 4 Ni PLATING
 - 5 THIS ITEM MUST BE WHITE

- 6 ELECTRICAL CHARACTERISTICS
 FREQUENCY RANGE: DC - 1 GHz(@75 Ohm)
 DC - 4 GHz(@50 Ohm)
 NOMINAL IMPEDANCE: 75 Ohm / 50ohm
 INSULATION RESISTANCE: 5000 MOhm
 WORKING VOLTAGE: 500 Volts RMS at Sea Level
 DIELECTRIC WITHSTAND VOLTAGE: 1500 Volts RMS Max
 CONTACT RESISTANCE:
 CENTER CONTACT: 1.50 mOhm Max
 OUTER CONTACT: 1.00 mOhm Max
 VSWR
 1.3 Max (75ohm@1GHz)
 1.25 Max (50ohm@4GHz)
 INSERTION LOSS xdb:
 0.3dB Max (75ohm@1GHz)
 0.4dB Max (50ohm@4GHz)
- 7 MECHANICAL CHARACTERISTICS
 COUPLING RETENTION FORCE: 40lbs Min
 DURABILITY: 500 Cycles Min
- 8 ENVIRONMENTAL CHARACTERISTICS
 OPERATING TEMPERATURE: -65 to +165 DegC



QTY	QTY	QTY	QTY	MATERIAL	DESCRIPTION	ITEM
1	-	1	-	PTFE	INSULATION	12
-	1	-	1	PTFE	INSULATION	12
1	1	1	1	BRASS	4 RING	11
1	1	1	1	BRASS	4 BODY 3	10
1	1	1	1	BRASS	4 BODY 2	9
1	1	1	1	SK5	4 WASHER	8
1	1	1	1	SPRING STEEL	4 SPRING	7
1	1	1	1	SK5	4 RETAINING RING	6
1	1	1	1	SILICONE RUBBER	5 GASKET	5
1	-	1	-	PTFE	INSULATION	4
-	1	-	1	PTFE	INSULATION	4
1	-	1	-	PHOSPHOR BRONZE	3 CONTACT	3
-	1	-	1	PHOSPHOR BRONZE	3 CONTACT	3
1	1	1	1	BRASS	4 BODY 1	2
1	1	1	1	BRASS	4 SHELL	1
6--1	6--0	1--1	1--0	MATERIAL	DESCRIPTION	ITEM
2	2	1	1			
QUANTITY PER ASSY				PARTS LIST		

THIS DRAWING IS A CONTROLLED DOCUMENT.		DWN J.SANDWELL 25JAN06	TE Connectivity		
DIMENSIONS: mm		CHK S.PARLOW 25JAN06			
TOLERANCES UNLESS OTHERWISE SPECIFIED:		APVD F.WHEELER-KING 25JAN06	NAME BNC ELBOW ADAPTOR P-J		
0 PLC ± -		PRODUCT SPEC -	SIZE -		
1 PLC ± 0.5		APPLICATION SPEC -	CAGE CODE -		
2 PLC ± -		WEIGHT 0.000000	DRAWING NO A300779 C-1337526		
3 PLC ± -		CUSTOMER DRAWING	RESTRICTED TO -		
4 PLC ± -			SCALE NTS		
ANGLES ± -			SHEET 1 OF 1		
FINISH -			REV E1		
MATERIAL SEE TABLE					

单击下面可查看定价，库存，交付和生命周期等信息

[>>TE Connectivity\(泰科\)](#)