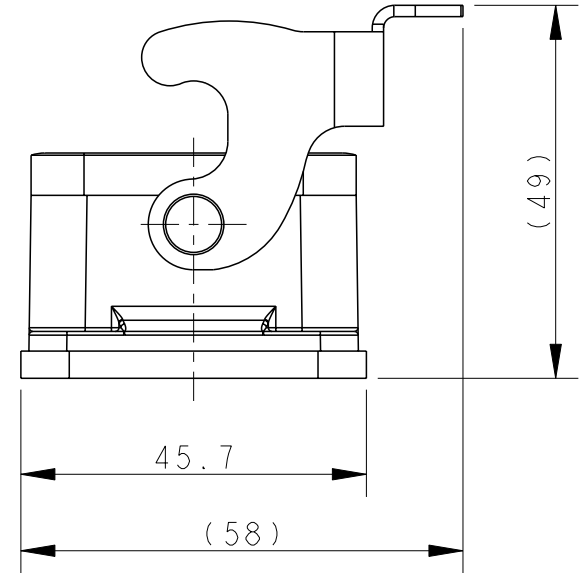
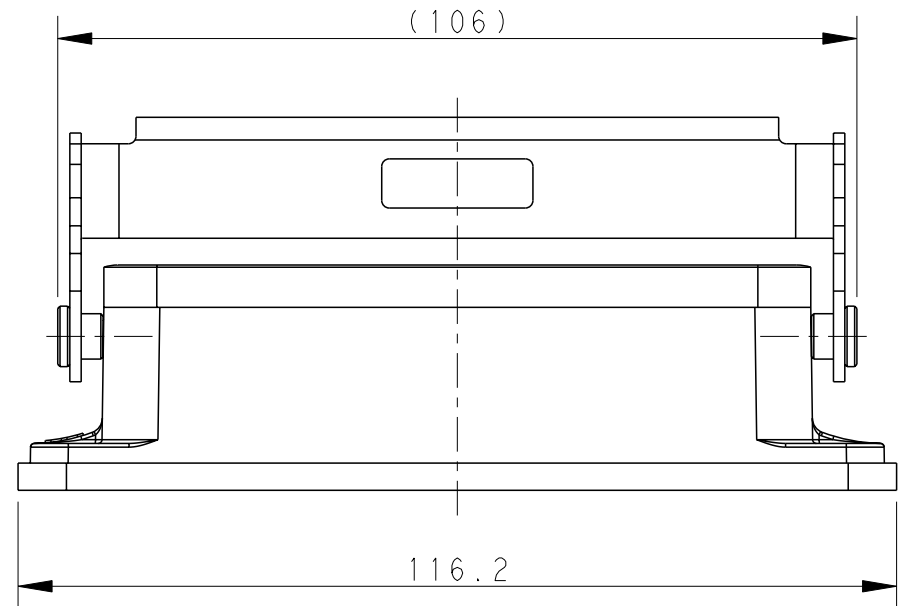


THIS DRAWING IS UNPUBLISHED. RELEASED FOR PUBLICATION 20
 © COPYRIGHT 20 BY - ALL RIGHTS RESERVED.

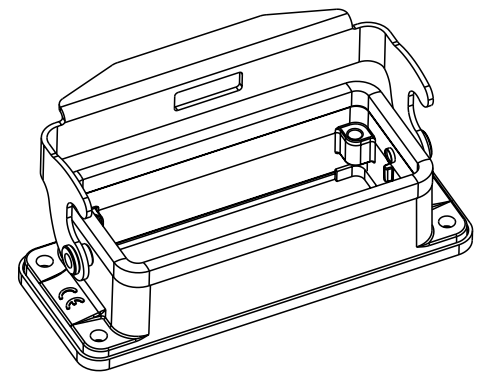
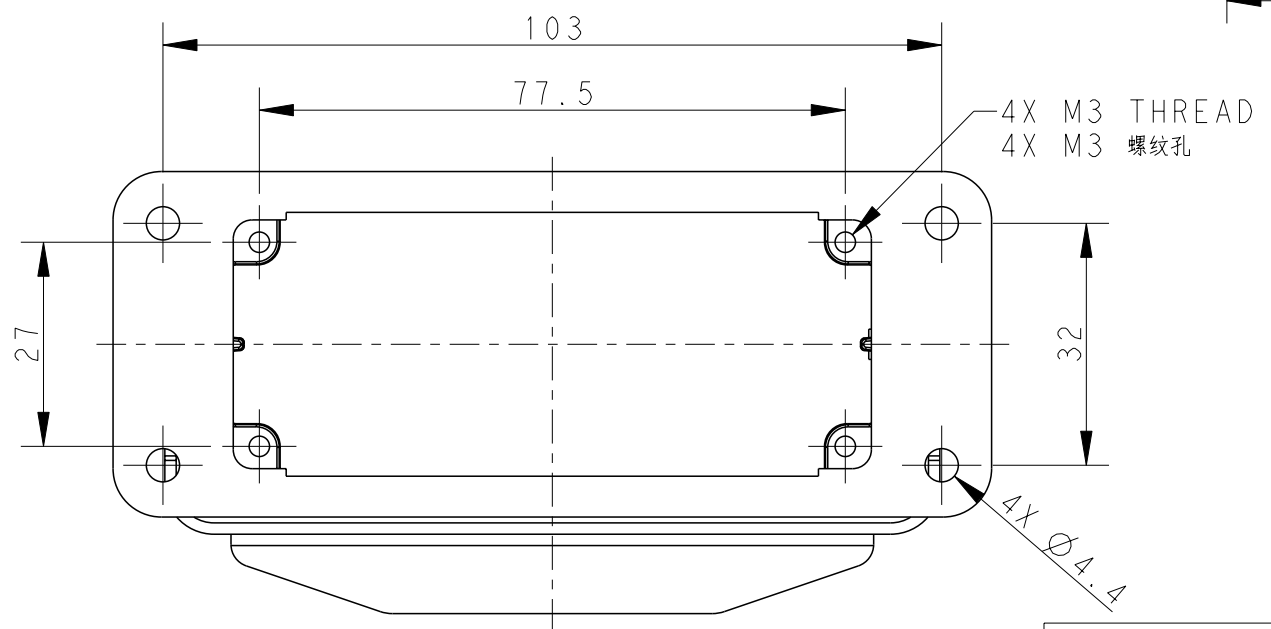
REVISIONS

P	LTR	DESCRIPTION	DATE	DWN	APVD
	A	INITIAL	28MAR2016	DW	CW
	A1	ECR-18-017710	14NOV2018	CD	CW
	B	ECR-20-008190	14SEP2020	WQR	CW

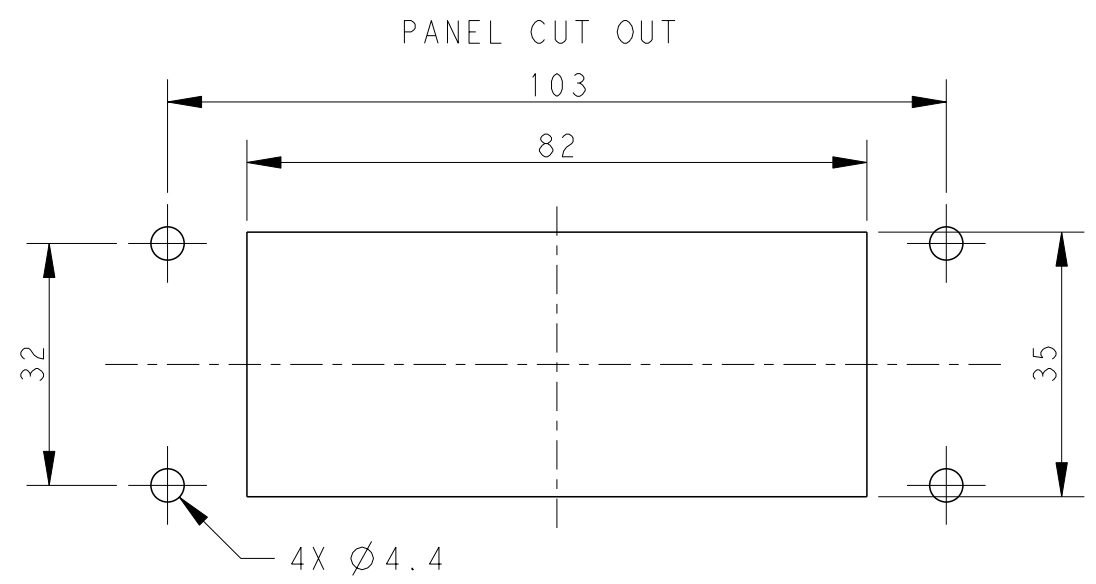


NOTES:
 1. TECHNICAL CHARACTERISTICS:
 HOUSING MATERIAL: DIE CAST ALUMINIUM ALLOY
 SURFACE: SEE TABLE
 DEGREE OF PROTECTION: IP65 (MATED)

注释:
 1. 技术参数:
 下壳材料: 铝合金
 表面处理: 见表格
 防护等级: IP65(配合)



SCALE 1:2



T1500162000-001	H16B-AGS-LB	H16B HOUSING, BULKHEAD MOUNTED, STAINLESS STEEL SINGLE LOCKING POWDER COATED, DEEP GREY H16B下壳, 开孔安装, 不锈钢单扣, 深灰色粉末喷涂
T1500162000-000	H16B-AGS-LB	H16B HOUSING, BULKHEAD MOUNTED, STAINLESS STEEL SINGLE LOCKING POWDER COATED, GREY H16B下壳, 开孔安装, 不锈钢单扣, 灰色粉末喷涂
PART NUMBER 零件料号	PART DESCRIPTION 零件描述	

THIS DRAWING IS A CONTROLLED DOCUMENT.

DIMENSIONS:	TOLERANCES UNLESS OTHERWISE SPECIFIED:
mm	
	0 PLC ±-
	1 PLC ±-
	2 PLC ±-
	3 PLC ±-
	4 PLC ±-
	ANGLES ±-
MATERIAL	FINISH
-	-
-	-

DWN	28MAR2016
DAVID WANG	
CHK	28MAR2016
CHRIS WANG	
APVD	28MAR2016
XIANG XU	
PRODUCT SPEC	108-137013
APPLICATION SPEC	114-137013
WEIGHT	-
Customer Drawing	

TE Connectivity		NAME		H16B-AGS-LB
		SIZE	CAGE CODE	
A300779		DRAWING NO		RESTRICTED TO
C-T1500162000000		SCALE	SHEET	REV
		1:1	1 OF 1	B

Printed on 14 Apr 2021 14:36 (China Standard Time) from TE343646

单击下面可查看定价，库存，交付和生命周期等信息

[>>TE Connectivity\(泰科\)](#)