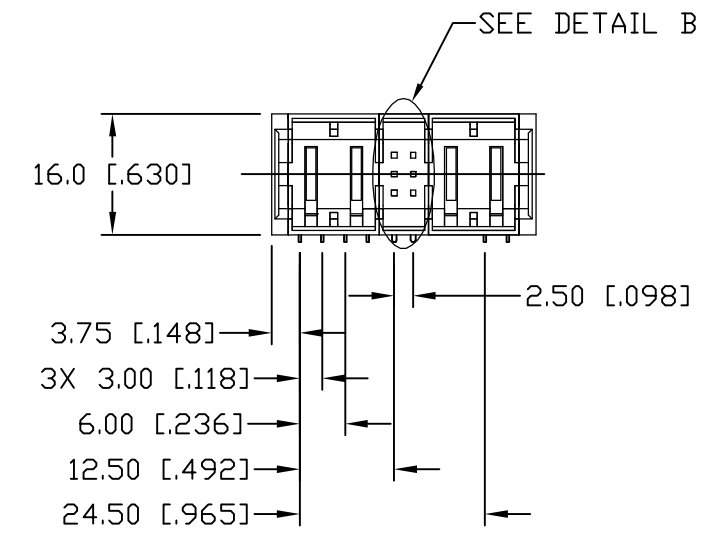
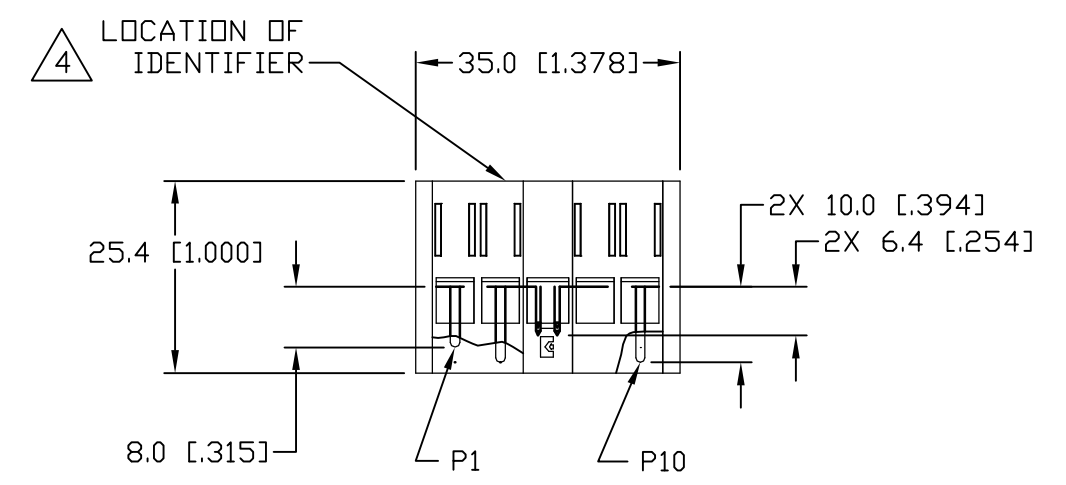
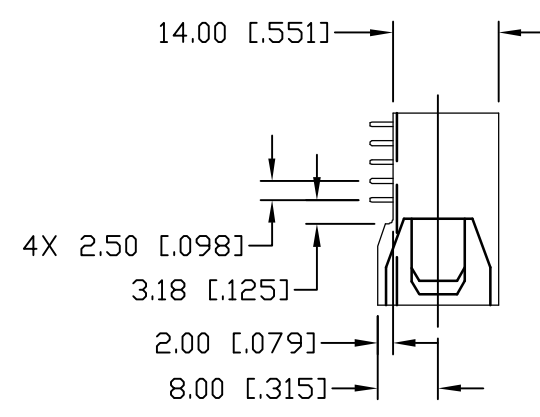
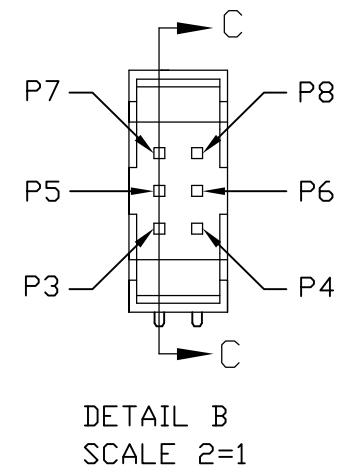
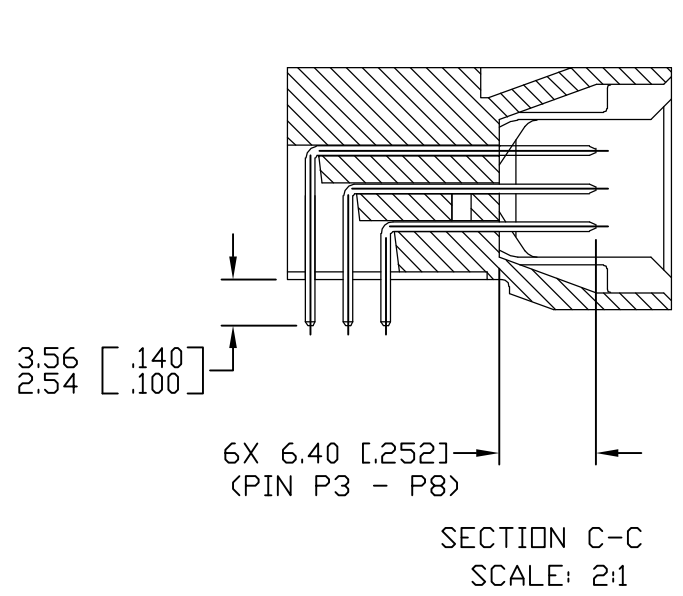
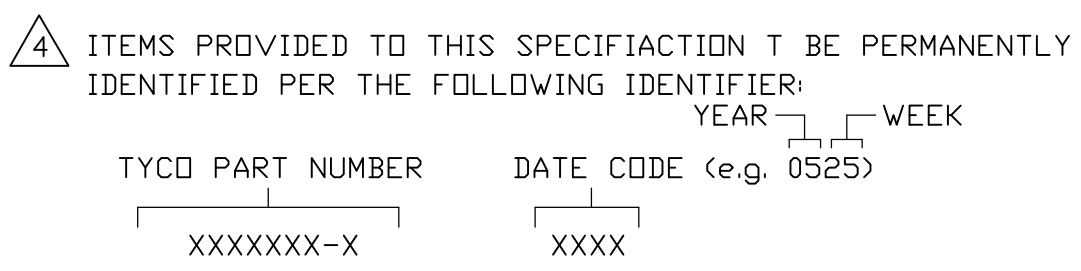


THIS DRAWING IS UNPUBLISHED. RELEASED FOR PUBLICATION  
 © COPYRIGHT BY TYCO ELECTRONICS CORPORATION. ALL RIGHTS RESERVED.

LOC	DIST	REVISIONS					
GP	00	P	LTR	DESCRIPTION	DATE	DWN	APVD
			A	RELEASED	19JULY06	RG	SF



- PART NUMBER CHANGES AND OR DESIGN CHANGES AFFECTING ITEM INTERCHANGEABILITY REQUIRE PRIOR TYCO APPROVAL AND AUTHORIZATION BY REVISION TO THIS DRAWING.
- MATERIAL:  
 INSULATORS: THERMOPLASTIC, GLASS REINFORCED, COLOR - BLACK, UL94V-0 FLAMMABILITY RATED  
 CONTACTS: BRASS ALLOY
- FINISH:  
 CONTACTS: GOLD PLATED .00003 MIN THK. OVER NICKEL .00005 MIN THK.  
 TERMINALS: TIN .000120 MIN THK. OVER NICKEL .000050 MIN THK.



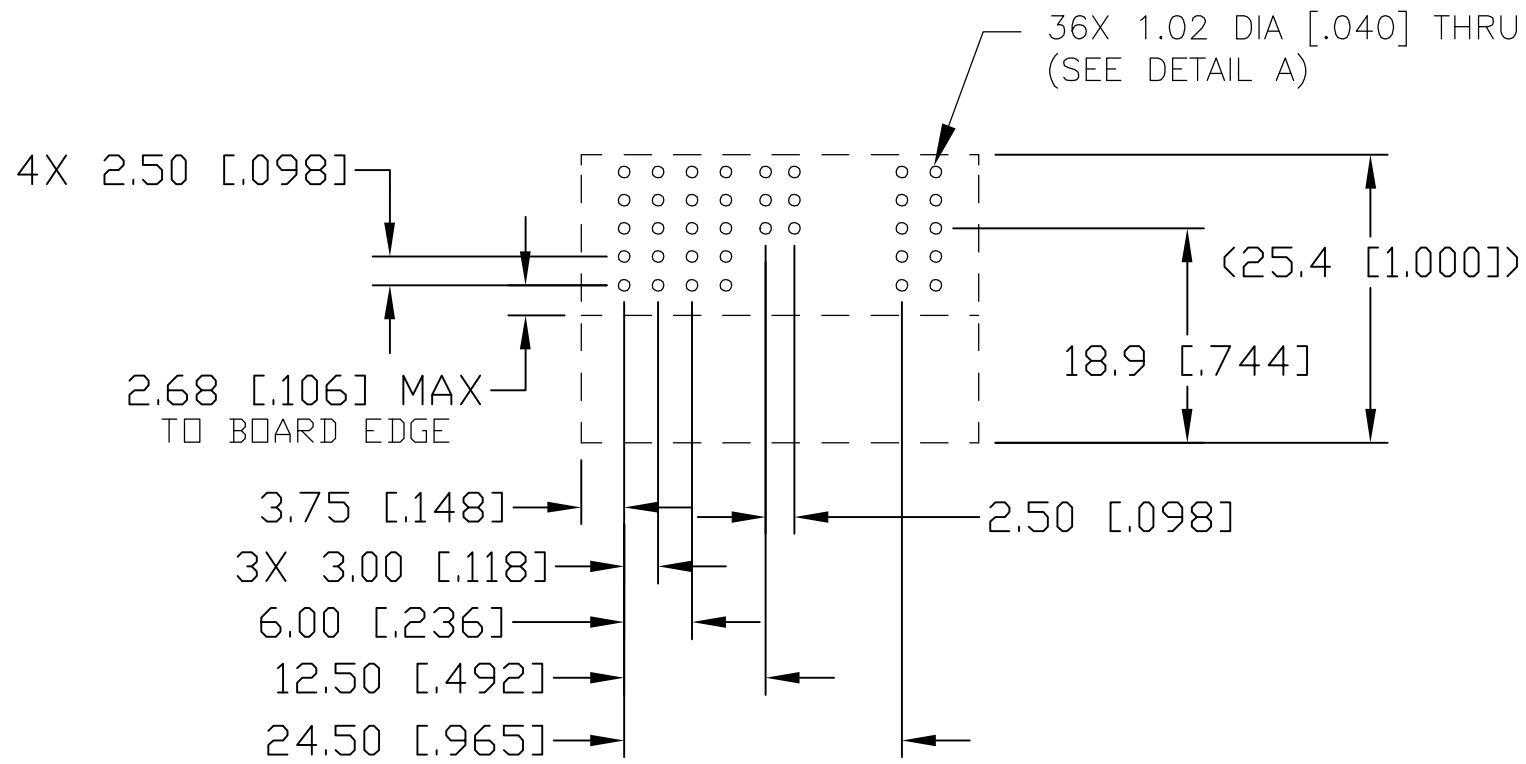
5. SEE DRAWING 6651199-1 FOR MATING SOCKET CONNECTOR.

AS SHOWN	6651200-1
DESCRIPTION	PART NUMBER

THIS DRAWING IS A CONTROLLED DOCUMENT.		DWN R.GRZYBOWSKI 19JULY06	Tyco Electronics Corporation Harrisburg, PA 17105-3608			
DIMENSIONS: mm		CHK S.FLICKINGER 19JULY06				
TOLERANCES UNLESS OTHERWISE SPECIFIED:		APVD S.FLICKINGER 19JULY06	NAME			
0 PLC ± - 1 PLC ± .5 [.020] 2 PLC ± .25 [.010] 3 PLC ± - 4 PLC ± - ANGLES ± .5		PRODUCT SPEC	PIN CONNECTOR RIGHT ANGLE, SOLDER TAIL MINIPAK			
MATERIAL		APPLICATION SPEC	SIZE	CAGE CODE	DRAWING NO	RESTRICTED TO
-		WEIGHT	A3	00779	C=6651200	-
CUSTOMER DRAWING			SCALE 1:1	SHEET 1 OF 2	REV A	

THIS DRAWING IS UNPUBLISHED. RELEASED FOR PUBLICATION  
 © COPYRIGHT - BY TYCO ELECTRONICS CORPORATION. ALL RIGHTS RESERVED.

LOC	DIST	REVISIONS					
GP	00	P	LTR	DESCRIPTION	DATE	DWN	APVD
		-		SEE SHEET 1	-	-	-



PRINTED CIRCUIT LAYOUT

DETAIL A  
SOLDER TERMINATION AREA  
 RECOMMENDED PRINTED CIRCUIT HOLE  
 FINISHED HOLE: 1.02 [.040] ±0.08 [.003] DIA.  
 DRILLED HOLE: 1.15 [.0453] ±0.013 [.0005] DIA.  
 COPPER PLATE: .025 [.0010] MIN. (PER SURFACE)  
 TIN PLATE: .008 [.0003] MIN. (PER SURFACE)

CONNECTOR	CONTACT	POSITION	CONTACT PITCH	VOLTAGE RATING
PIN	SIGNAL	3-8	2.50 [.090]	60 VOLTS
	POWER	1 & 2	6.00 [.236]	60 VOLTS
	POWER	10	_____	250 VOLTS

THIS DRAWING IS A CONTROLLED DOCUMENT.		DWN R.GRZYBOWSKI 19JULY06	Tyco Electronics Corporation Harrisburg, PA 17105-3608		
DIMENSIONS: mm		CHK S.FLICKINGER 19JULY06			
		APVD S.FLICKINGER 19JULY06	NAME PIN CONNECTOR RIGHT ANGLE, SOLDER TAIL MINIPAK		
TOLERANCES UNLESS OTHERWISE SPECIFIED:		PRODUCT SPEC -	RESTRICTED TO -		
MATERIAL -		FINISH -	APPLICATION SPEC -	SIZE A3	CAGE CODE 00779
			DRAWING NO C-6651200	SCALE 1:1	SHEET 2 OF 2
CUSTOMER DRAWING			REV A		

单击下面可查看定价，库存，交付和生命周期等信息

[>>TE Connectivity\(泰科\)](#)