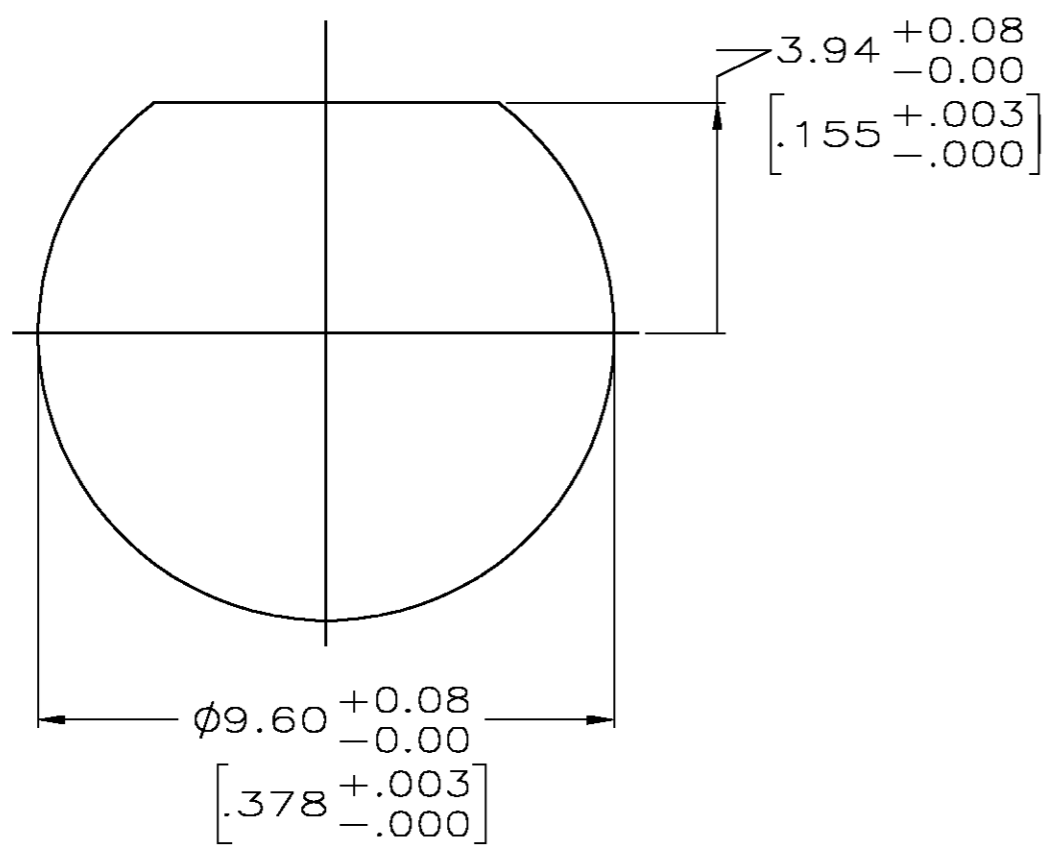
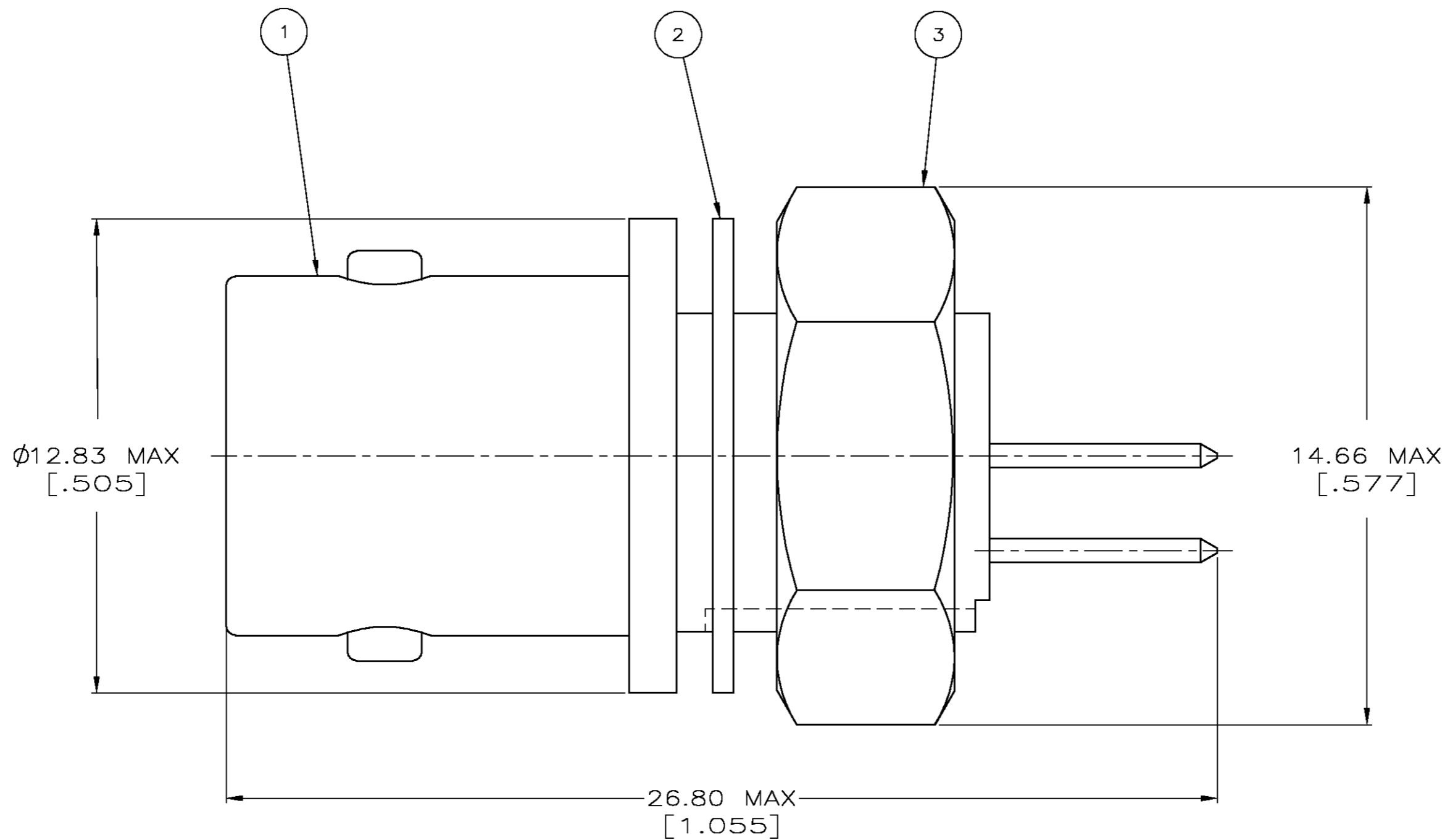


THIS DRAWING IS UNPUBLISHED. RELEASED FOR PUBLICATION
 © COPYRIGHT BY TYCO ELECTRONICS CORPORATION. ALL RIGHTS RESERVED.

LOC	DIST	REVISIONS					
AJ	16	P	LTR	DESCRIPTION	DATE	DWN	APVD
		B		EC PER OS14-0192-04	12NOV2004	JGH	JL



RECOMMENDED PANEL CUTOUT

9-414815-0	1-329492-1	414195-1	414194-1
③ JAM NUT QTY=1	② LOCK WASHER QTY=1	① SOLDER RCPT, ASSEMBLY QTY=1	PART NUMBER
THIS DRAWING IS A CONTROLLED DOCUMENT.		DWN M. E. COWHER 10-4-91 CHK J. T. LIPPERT 10-17-91 APVD M. PHILIPS 10-17-91 Tyco Electronics Corporation Harrisburg, PA 17105-3608	
DIMENSIONS: INCHES	TOLERANCES UNLESS OTHERWISE SPECIFIED:	NAME: SOLDER RECEPTACLE, ISOLATED BNC	
	0 PLC ± -	SIZE	RESTRICTED TO
	1 PLC ± -	CAGE CODE	
	2 PLC ± -	DRAWING NO	
	3 PLC ± -	SCALE	
	4 PLC ± -	8:1	
	ANGLES ± -	SHEET	
MATERIAL	FINISH	1	
-	-	OF	
		1	
		REV	
		B	

单击下面可查看定价，库存，交付和生命周期等信息

[>>TE Connectivity\(泰科\)](#)