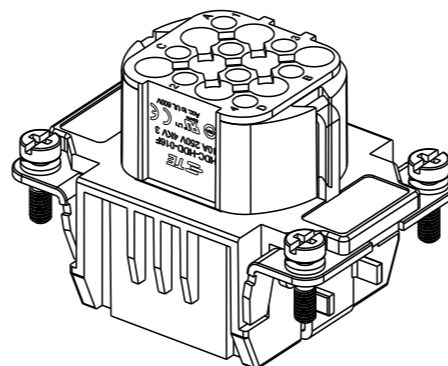
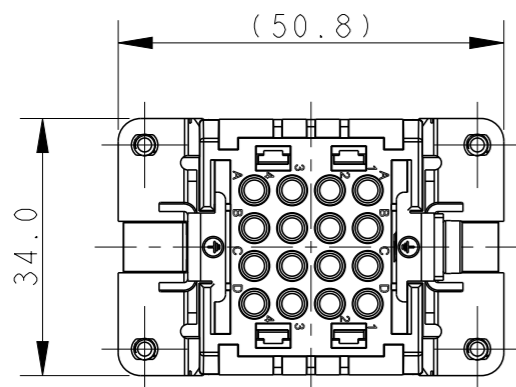


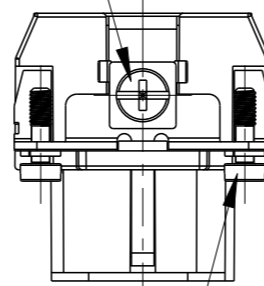
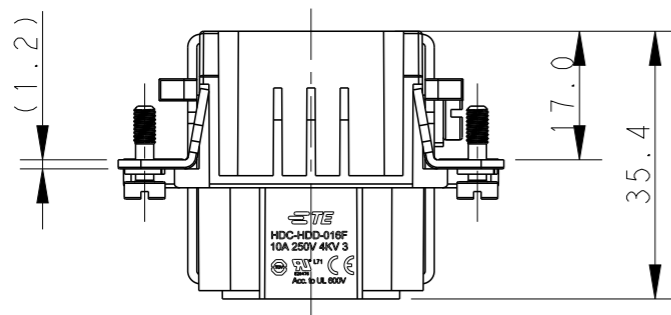
THIS DRAWING IS UNPUBLISHED. RELEASED FOR PUBLICATION 20
 © COPYRIGHT 20 BY - ALL RIGHTS RESERVED.

REVISIONS

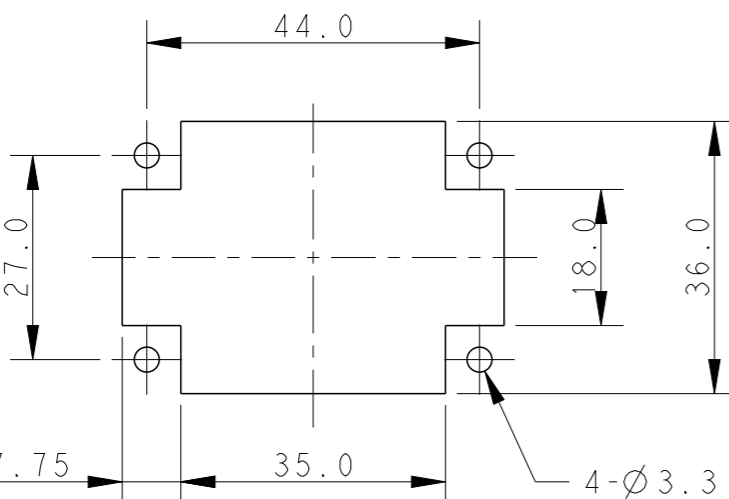
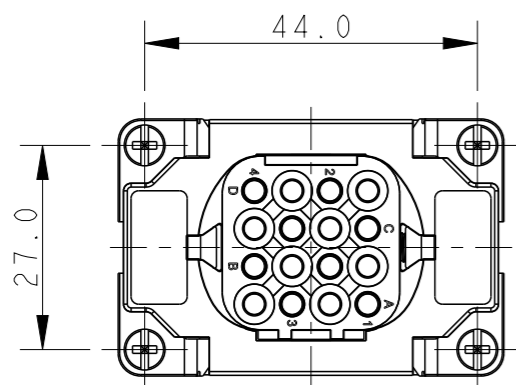
P	LTR	DESCRIPTION	DATE	DWN	APVD
A		INITIAL	04JAN2016	RL	CW
B		ECR-21-105887	26JUL2021	BS	CW
C		ECR-22-150866	21SEP2022	DL	CW



GROUND CONTACT SCREW:
 M4 SCREW RECOMMENDED
 TIGHTENING TORQUE 1.2Nm
 接地压线螺丝: M4螺丝推荐拧紧力矩1.2Nm



FIXING SCREW: 4xM3
 RECOMMENDED TIGHTENING
 TORQUE 0.5Nm
 固定螺丝: 4xM3螺丝推荐拧紧力矩0.5Nm



PANEL CUT OUT FOR INSERTS FOR USING
 WITHOUT HOODS/HOUSINGS
 不带壳体时面板开孔尺寸

NOTES:

- TECHNICAL CHARACTERISTICS:
 INSULATION MATERIAL: PC
 RATED VOLTAGE: 250 V
 RATED CURRENT: 10 A
 INSULATION RESISTANCE: $\geq 400M\Omega$
 RATED IMPULSE VOLTAGE: 4 KV
 POLLUTION DEGREE: 3
 FLAMMABILITY: UL94V-0
 MATING CYCLES: 500 CYCLES
 OPERATION TEMPERATURE: $-40-+125^{\circ}C$
 WIRE RANGE: 0.14-2.5 mm² (26-14 AWG)
 CONTACT TYPE: CRIMP CONTACT
- CONTACT NEED TO BE ORDERED SEPARATELY.
 (ORDER No. REFER TO DRAWING: T20200X20XX000)

注释:

- 技术参数:
 绝缘材料: PC
 额定电压: 250V
 额定电流: 10A
 绝缘电阻: $\geq 400M\Omega$
 额定脉冲电压: 4 KV
 污染等级: 3
 阻燃等级: UL94V-0
 插拔次数: 500次
 工作温度: $-40-+125^{\circ}C$
 接线范围: 0.14-2.5 mm² (26-14 AWG)
 接线类型: 冷压接
- 端子需要单独订购。
 (订货号参考图面: T20200X20XX000)

T2030162201-000	HDD-016-F HDD-016 母插
PART NUMBER 料号	PART DESCRIPTION 描述

THIS DRAWING IS A CONTROLLED DOCUMENT.		DWN ROY LIU 04JAN2016	TE Connectivity			
DIMENSIONS: mm		CHK KYLE ZENG 04JAN2016				
TOLERANCES UNLESS OTHERWISE SPECIFIED:		APVD CHRIS WANG 04JAN2016				
0 PLC ±- 1 PLC ±- 2 PLC ±- 3 PLC ±- 4 PLC ±- ANGLES ±-		NAME HDD-016-F				
MATERIAL		PRODUCT SPEC 108-137043	SIZE A3	CAGE CODE -	DRAWING NO. T2030162201000	RESTRICTED TO -
FINISH		APPLICATION SPEC 114-137043	SCALE 1:1		SHEET 1 OF 1	REV C
-		WEIGHT -	CUSTOMER DRAWING			

单击下面可查看定价，库存，交付和生命周期等信息

[>>TE Connectivity\(泰科\)](#)